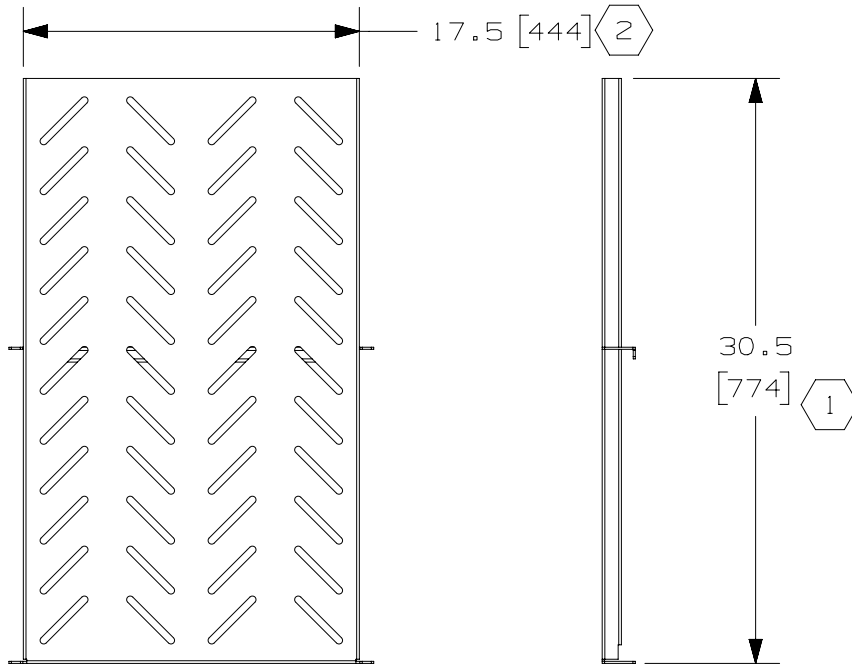
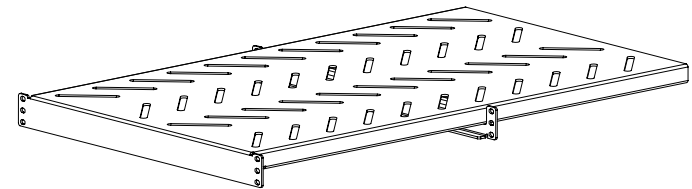
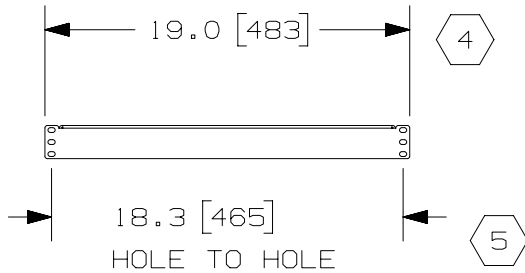


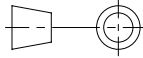

THIS COPY IS PROVIDED ON A RESTRICTED BASIS AND IS NOT TO BE USED IN ANY WAY DETRIMENTAL TO THE INTERESTS OF PANDUIT CORP.



NOTES:

1. VISIT OUR ON-LINE CATALOG AT WWW.PANDUIT.COM FOR A LIST OF CURRENT PARTS APPLICABLE FOR USE WITH THIS PRODUCT.
2. DIMENSIONS IN [] ARE METRIC.
3. ALL MATERIALS AND COMPONENTS USED MEET THE MATERIAL RESTRICTIONS OF RoHS (EUROPEAN DIRECTIVE 2011/65/EU ON THE RESTRICTION OF HAZARDOUS SUBSTANCES) AS PROPOSED BY THE RoHS TECHNICAL ADAPTATION COMMITTEE.
4. WEIGHT: 20 LB [9.07 Kgs]
5. PART INCLUDES:
 - 1 - BASE SHELF
 - 1 - MOUNTING BRACKET
 - 2 - #12-24 SCREWS (PACK OF 4)
6. LOAD RATING IS 275 LBS WHEN RAILS ARE SPACED A MINIMUM OF HALF THE SHELF DEPTH.
7. SHELF IS DESIGNED TO SUPPORT LARGE NETWORKING EQUIPMENT IN COMBINATION WITH SUPPLIED EQUIPMENT MOUNTING FLANGES.



PART NUMBER		RSHLF, RSHLFWH		
TITLE		19" X 30" DEEP SHELF FOR 4 POST RACK		
CUSTOMER DRAWING				
ITEM REVISION NAME		V10679ZM/03		
DATASET FILE NAME		V10679ZM_DC/03A		
 THIRD ANGLE PROJECTION				
MATERIAL		STEEL		
DRAWING NUMBER		V10679ZM-DC		
REV	DATE	BY	CHK	SCALE
03A	7-20-20	TWV	NAGL	NONE
DESCRIPTION		ECN	SHEET 1 OF 1	
ADDED PART # RSHLFWH; REMOVED M6 SCREWS		V10679ZM	A	

A-SIZE CUSTOMER

2

1

2

1