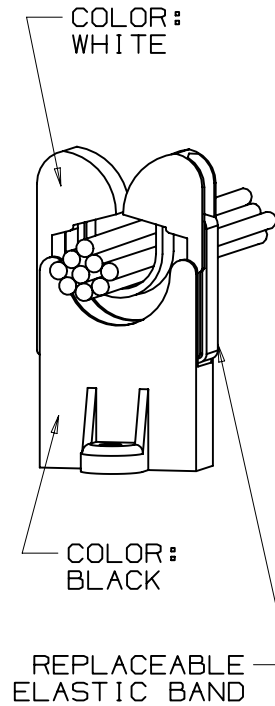
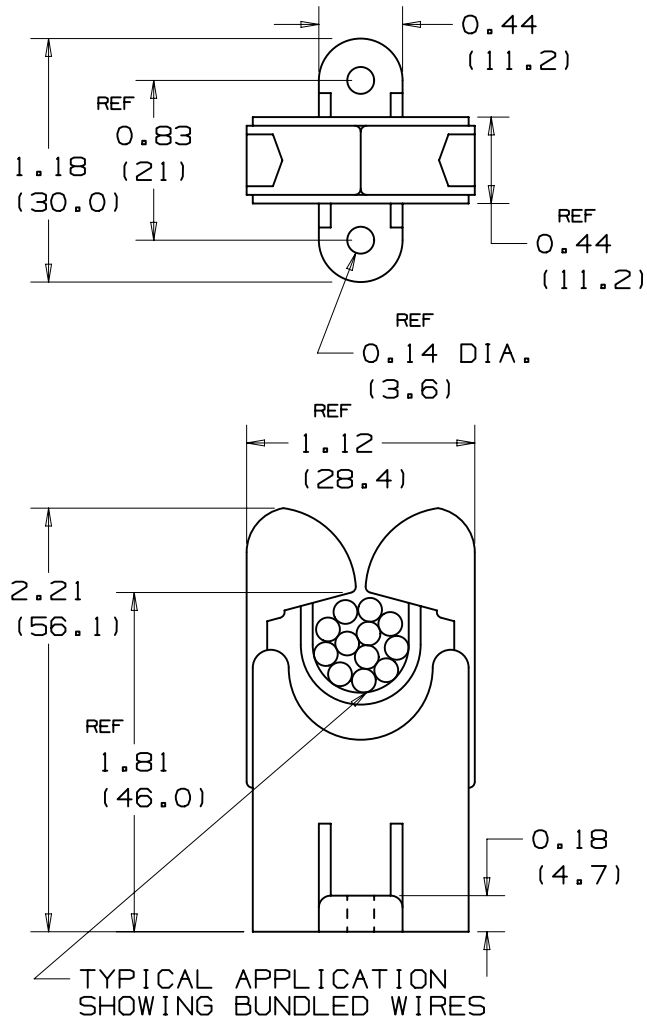


THIS COPY IS PROVIDED ON A RESTRICTED BASIS AND IS NOT TO BE USED IN ANY WAY DETRIMENTAL TO THE INTERESTS OF PANDUIT CORP.



PANDUIT PART NO.	MAX. BUNDLE DIA. in/mm	RECM. FASTENER	WEIGHT lb/g/100 pcs
RER.75-S6	0.75 (19.0)	#6 SCRW. (M3)	2.1 (953.4)

NOTES:
1. SEE CURRENT PRICE SHEET FOR PART NUMBER SUFFIX DESIGNATION FOR PACKAGE SIZE

(DIMENSIONS IN PARENTHESES ARE IN METRIC.)

CAD FILENAME/LAYERS G002391N_PB_RER.75_02



TINLEY PARK, ILLINOIS

ELASTIC RETAINER, RER.75-S6

UNLESS OTHERWISE SPECIFIED, DIMENSIONAL TOLERANCES ARE:
(.X) ±N/A (.XXX) ±N/A
(.XX) ±.020(.5) ANGLES ± 5°

UNLESS OTHERWISE SPECIFIED, ALL DIMENSIONS ARE GIVEN IN INCHES, THIRD ANGLE PROJECTION.

DRAWN BY LGG

MAT'L: NYLON BASE & GLASS FILLED RUBBER MODIFIED NYLON 6/6 ARM

SCALE FULL

DATE 6/19/01

DRAWING NO. GBO2391N

DWG SIZE A

CHK'D

REV	DATE	BY	CHK	DESCRIPTION	ECN	R	CUST	SUP
2	12/7/04	KLN		REVISED ARM MATERIAL	GBO2391N	2		
1	7/21/03	JAD		REVISED ARM MATERIAL	GBO2391N	1		
R	6/19/01	LGG		INITIAL RELEASE-REPLACED SS-6214	GBO2391N	R		