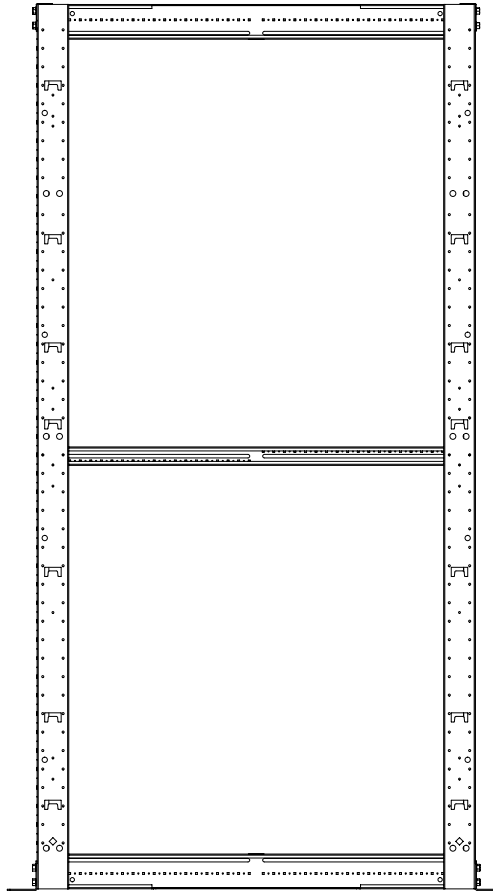
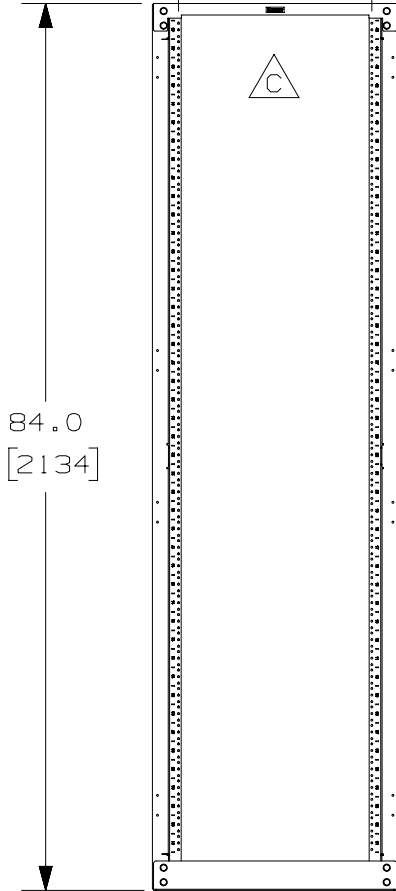
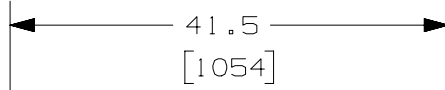
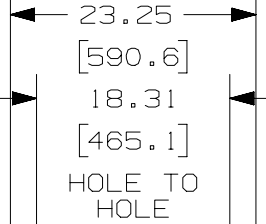


THIS COPY IS PROVIDED ON A RESTRICTED BASIS AND IS NOT TO BE USED IN ANY WAY DETRIMENTAL TO THE INTERESTS OF PANDUIT CORP.



PANDUIT P/N	WEIGHT
R4P42	112 LBS/EACH 50.9 Kg/EACH
R4P42CN	103 LBS/EACH 46.8 Kg/EACH

NOTES:

- VISIT OUR ON-LINE CATALOG AT WWW.PANDUIT.COM FOR A LIST OF CURRENT PARTS APPLICABLE FOR USE WITH THIS PRODUCT.
- DIMENSIONS IN PARENTHESIS ARE METRIC.
- INDEPENDENT ADJUSTABLE FRONT & REAR MOUNTING RAILS (EIA) ADJUST FROM 3.25" TO 42" DEPTH.
- CAN BE USED WITH ANY EIA STANDARD COMPONENT IN ADDITION TO ALL PANDUIT HORIZONTAL CABLE MANAGEMENT AND PATCH PANEL PRODUCTS.
- 45 AVAILABLE RACK SPACES.
- EIA UNIVERSAL STANDARD HOLE PROGRESSION ON FRONT CHANNELS AND REAR MOUNT RAILS .625", .625", .500", .625", .625", .500"...ETC.
- ALL RACKS WILL HAVE NUMBERS UP ORIENTATION (RU "01" ON BOTTOM, RU "45" ON TOP). INSTRUCTIONS WILL BE PROVIDED ON HOW TO GET NUMBERS DOWN ORIENTATION.
- RU SPACING NUMBERS ARE CLEARLY PRINTED ON MOUNTING RAILS.
- ALL ASSEMBLY HARDWARE INCLUDED:
 - (16) 3/8-16 X 1" BLACK HEX BOLT
 - (16) 3/8" PAINT PIERCING GROUNDING WASHER
 - (1) TUBE OF ANTI-OXIDIZING PASTE
 - (25) 12-24 X .5" SLOTTED PAN HEAD STEEL SCREW
 - (25) #12-24 CAGE NUTS (ONLY PROVIDED FOR R4P42CN)
- EASY ASSEMBLY, ONE WRENCH NEEDED TO INSTALL BOLTS INTO WELDNUTS IN ALL 8 CORNERS.
- FULLY BONDED STRUCTURE WHEN ASSEMBLED PER INSTRUCTIONS.
- LOAD RATING - 2500 LBS.



TITLE		42" DEEP 4 POST RACK (R4P42/R4P42CN)		
ITEM REVISION NAME		CUSTOMER DRAWING		
DATASET FILE NAME		V10679AS/06		
UNLESS OTHERWISE SPECIFIED, DIMENSIONAL TOLERANCES ARE: IN (mm)		PANDUIT		
MATERIAL:		STEEL		
DRAWING NUMBER:		V10679AS-DC		
DRAWN BY	DATE	CHK	SCALE	SIZE
BAME	4-1-09	DSI	NONE	A
REV		DESCRIPTION		ECN
06A		7-13-16 AMF BAME KRKE ADDED NOTE TO PAGE 3		M09000EF
05A		11-11-13 PM BAME CMK C. REPLACED PANDUIT LABEL B. REPLACED DRAWING BORDER		V10670AS-DC
04A		3-3-11 BAME SRK CMK A. REVISED COMPONENT GEOMETRY		V10679AS-DC
03B		3-30-10 PBS DPN CMK REVISED DIMS ON PAGE 2		V10679AS-DC
03A		10-9-09 BAME DSI CMK ADJUSTED LOAD RATING		V10679AS-DC
02A		4-1-09 BAME DSI CMK RELEASED TO PRODUCTION		V10679AS-DC
REV		DESCRIPTION		ECN
06A		7-13-16 AMF BAME KRKE ADDED NOTE TO PAGE 3		M09000EF
05A		11-11-13 PM BAME CMK C. REPLACED PANDUIT LABEL B. REPLACED DRAWING BORDER		V10670AS-DC
04A		3-3-11 BAME SRK CMK A. REVISED COMPONENT GEOMETRY		V10679AS-DC
03B		3-30-10 PBS DPN CMK REVISED DIMS ON PAGE 2		V10679AS-DC
03A		10-9-09 BAME DSI CMK ADJUSTED LOAD RATING		V10679AS-DC
02A		4-1-09 BAME DSI CMK RELEASED TO PRODUCTION		V10679AS-DC

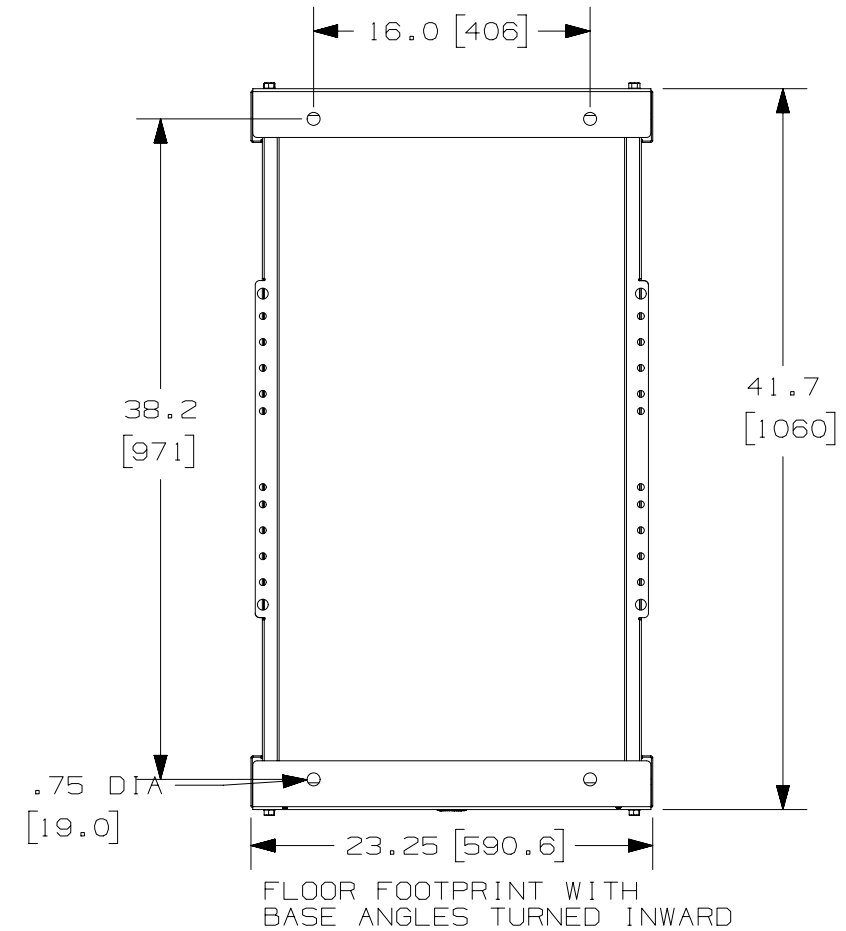
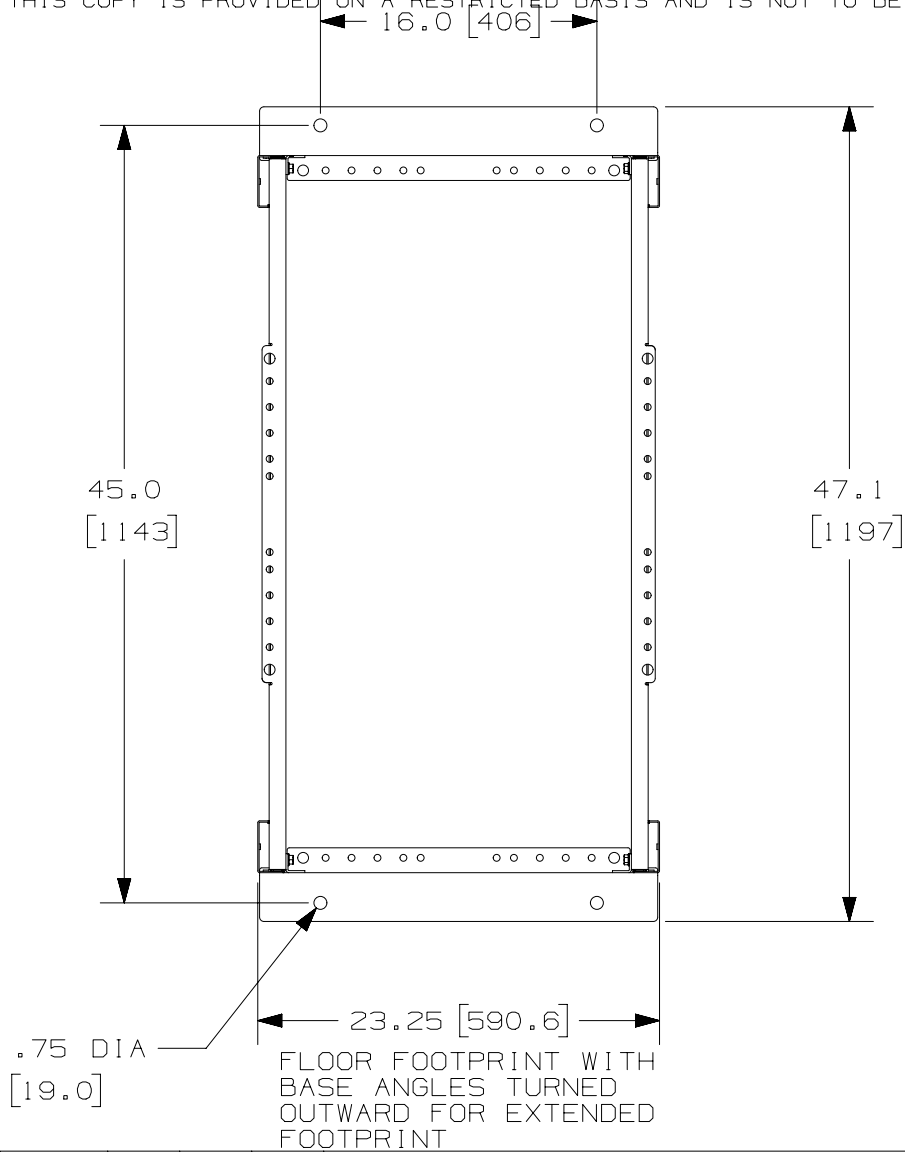


D101000DA/16

THIS COPY IS PROVIDED ON A RESTRICTED BASIS AND IS NOT TO BE USED IN ANY WAY DETRIMENTAL TO THE INTERESTS OF PANDUIT CORP.

2

1



REV	DATE	BY	CHK	APR	DESCRIPTION	ECN
06A	7-13-16	AMF	BAME	KRKE	SEE SHEET 1 OF 3 FOR REVISIONS	M09000EF
05A	11-11-13	PM	BAME	CMK	SEE SHEET 1 OF 3 FOR REVISIONS	V10679AS-DC
04A	3-3-11	BAME	SRK	CMK	SEE SHEET 1 OF 3 FOR REVISIONS	V10679AS-DC
03B	3-30-10	BAME	DPN	CMK	SEE SHEET 1 OF 3 FOR REVISIONS	V10679AS-DC
03A	10-9-09	BAME	DSI	CMK	SEE SHEET 1 OF 3 FOR REVISIONS	V10679AS-DC
02A	4-1-09	BAME	DSI	CMK	SEE SHEET 1 OF 3 FOR REVISIONS	V10679AS-DC

TITLE						42" DEEP 4 POST RACK (R4P42/R4P42CN) CUSTOMER DRAWING		
ITEM REVISION NAME						V10679AS/06		
DATASET FILE NAME						V10679AS_DC/06A		
UNLESS OTHERWISE SPECIFIED, DIMENSIONAL TOLERANCES ARE: IN (mm)						MATERIAL: STEEL		
.X ± .XX ± .XXX ± ANGLES ±						DRAWING NUMBER: V10679AS-DC		
DRAWN BY		DATE		CHK		SCALE		SIZE
BAME		4-1-09		DSI		NONE		A
SHT 2 OF 3								

2

1

D10100DA/16

THIS COPY IS PROVIDED ON A RESTRICTED BASIS AND IS NOT TO BE USED IN ANY WAY DETRIMENTAL TO THE INTERESTS OF PANDUIT CORP.

J-HOOKS UP TO 3/8" DIA. MAY BE MOUNTED TO THE RACK IN FRONT OF THE TOP ANGLES

"J" BOLT MOUNTING HOLES FOR SECURING LADDER RACK PERPENDICULAR AND PARALLEL TO 4 POST RACK.

BONUS HOLES ARE FOR MOUNTING PANDUIT ACCESSORIES. SEE NOTE 1.

MOUNTING RAILS (ADJUSTABLE FROM 3.25" TO 42")

MOUNTING HOLES FOR OPTIONAL POWER STRIP BRACKET. BRACKETS CAN BE MOUNTED ON ANY OF THE 4 POSTS OR ADJUSTABLE RAILS.

CUTOUTS ARE FOR MOUNTING PANDUIT ACCESSORIES SEE NOTE 1.

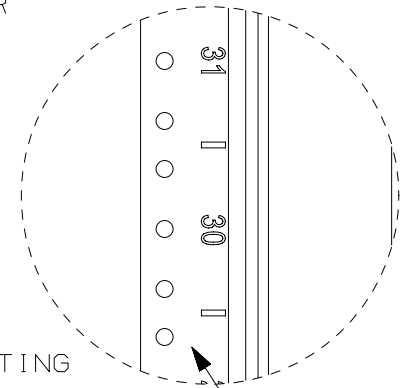
OPTIONAL POST HOLES FOR BRACKET MOUNTING NETRUNNER

CROSS BEAMS ARE MARKED EVERY 1/2" FOR MOUNTING RAIL ALIGNMENT

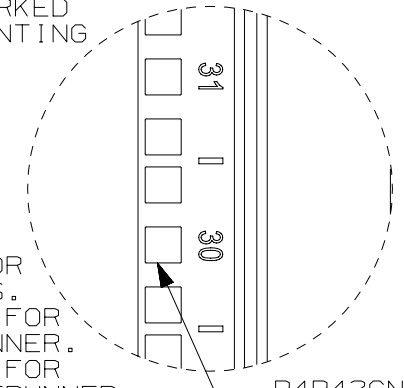
MASKED AREA FOR GROUNDING, TOP & BOTTOM OF RACK. 4 PLACES

MOUNTING HOLES FOR VERTICAL MANAGERS. DOUBLE HOLES ARE FOR MOUNTING PATCHRUNNER. SINGLE HOLES ARE FOR SIDE MOUNTING NETRUNNER.

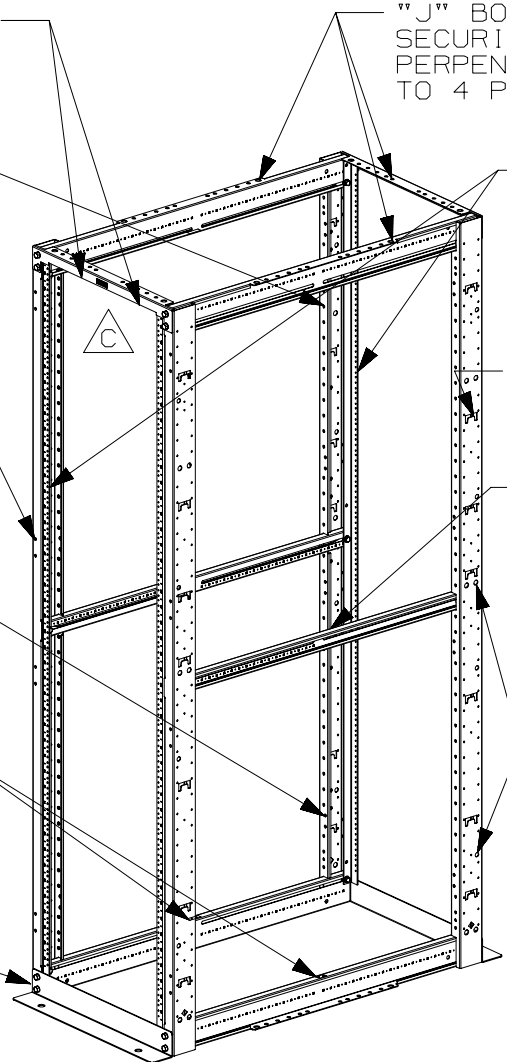
BASE ANGLES (SEE SHEET 2 FOR MOUNTING POSITIONS)



R4P42 RAILS HAVE TAPPED HOLES



R4P42CN RAILS HAVE CAGE NUT HOLES



TITLE		42" DEEP 4 POST RACK (R4P42/R4P42CN)						
		CUSTOMER DRAWING						
ITEM REVISION NAME		V10679AS/06						
DATASET FILE NAME		V10679AS_DC/06A						
UNLESS OTHERWISE SPECIFIED, DIMENSIONAL TOLERANCES ARE: IN (mm)		PANDUIT MATERIAL: STEEL						
.X ± .XX ±					.XXX ± ANGLES ±			
		THIRD ANGLE PROJECTION						
DRAWN BY	DATE	CHK	SCALE	DRAWING NUMBER:				
BAME	4-1-09	DSI	NONE	V10679AS-DC				
REV	DATE	BY	CHK	APR	DESCRIPTION	ECN	SHT 3 OF 3	SIZE
							A	

06A	7-13-16	AMF	BAME	KRKE	SEE SHEET 1 OF 3 FOR REVISIONS	M09000EF
05A	11-11-13	BAME	BAME	CMK	SEE SHEET 1 OF 3 FOR REVISIONS	V10679AS-DC
04A	3-3-11	BAME	SRK	CMK	SEE SHEET 1 OF 3 FOR REVISIONS	V10679AS-DC
03B	3-30-10	BAME	DPN	CMK	SEE SHEET 1 OF 3 FOR REVISIONS	V10679AS-DC
03A	10-9-09	BAME	DSI	CMK	SEE SHEET 1 OF 3 FOR REVISIONS	V10679AS-DC
02A	4-1-09	BAME	DSI	CMK	SEE SHEET 1 OF 3 FOR REVISIONS	V10679AS-DC

D10100DA/16