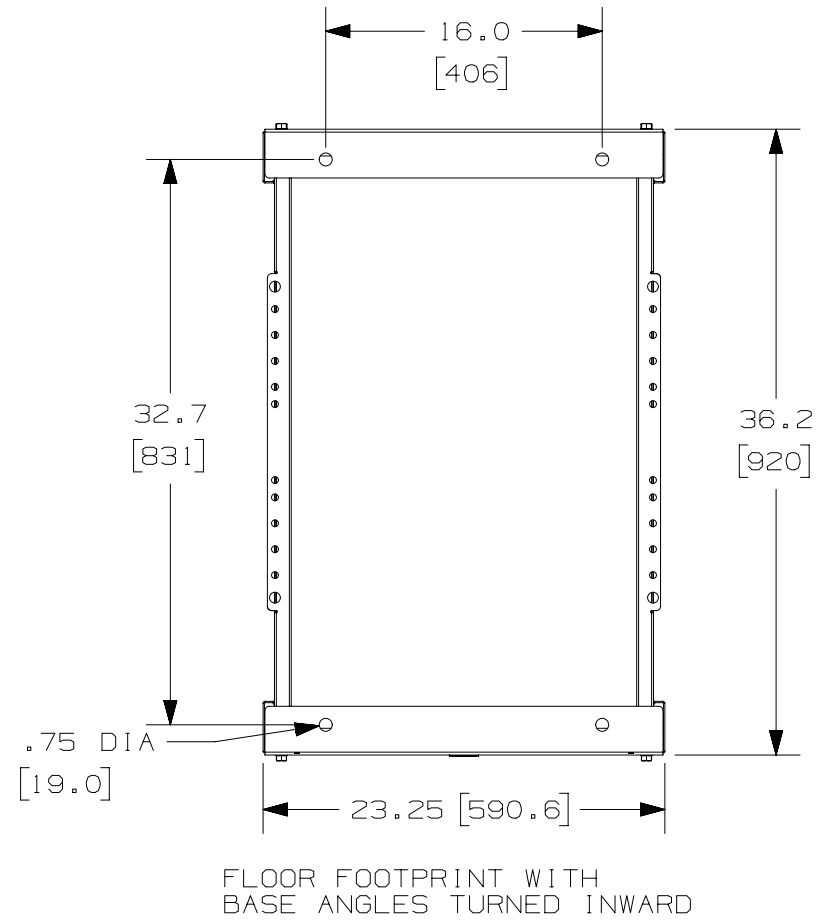
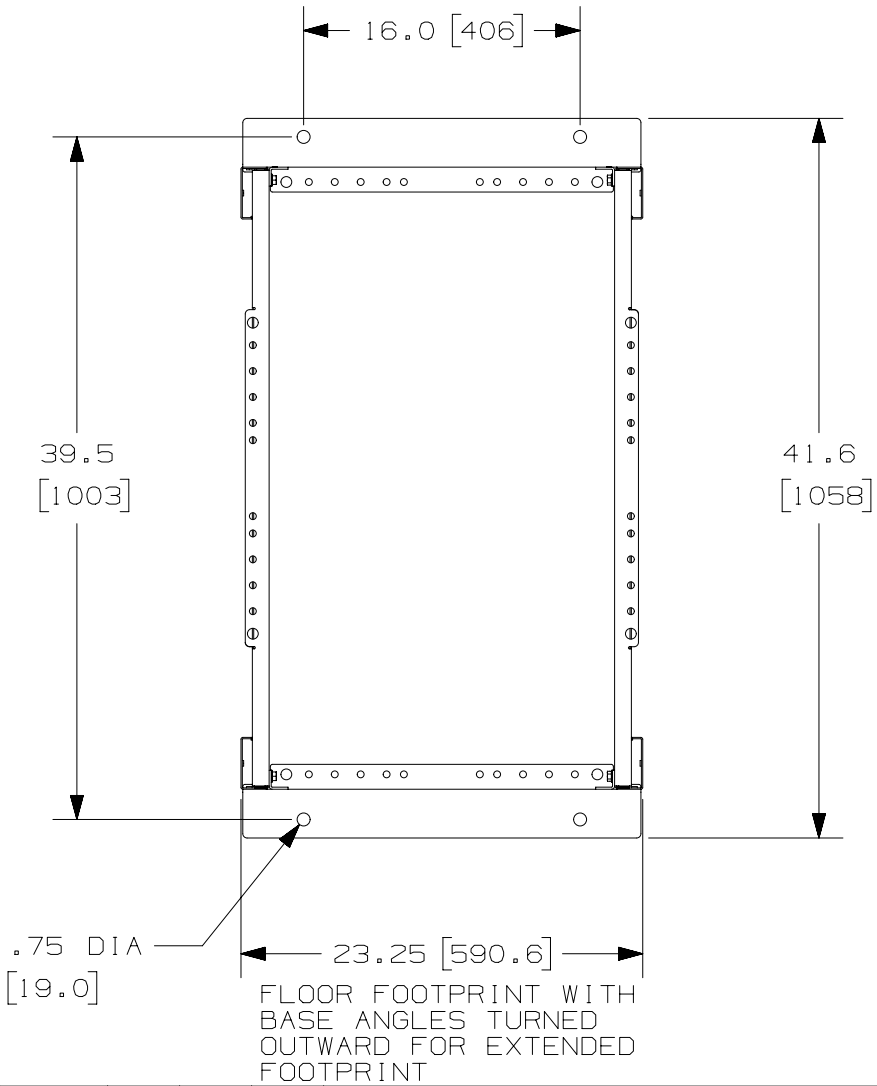


THIS COPY IS PROVIDED ON A RESTRICTED BASIS AND IS NOT TO BE USED IN ANY WAY DETRIMENTAL TO THE INTERESTS OF PANDUIT CORP.



REV	DATE	BY	CHK	APR	DESCRIPTION	ECN
06A	1-8-18	BAME	JCO	JEFK	SEE SHEET 1 OF 3 FOR REVISIONS	M09000HB
05B	10-23-17	BAME	KRKE	JEFK	SEE SHEET 1 OF 3 FOR REVISIONS	M09000GV
05A	7-12-16	AMF	BAME	KRKE	SEE SHEET 1 OF 3 FOR REVISIONS	M09000EF

TITLE						36" DEEP 4 POST RACK					
						CUSTOMER DRAWING					
ITEM REVISION NAME						V10679AR/06					
DATASET FILE NAME						V10679AR_DC/06A					
UNLESS OTHERWISE SPECIFIED, DIMENSIONAL TOLERANCES ARE: IN (mm)						PANDUIT MATERIAL: STEEL					
.X ±											
.XX ±						ANGLES ±					
						THIRD ANGLE PROJECTION					
DRAWN BY		DATE		CHK		SCALE		DRAWING NUMBER:		SIZE	
BAME		3-31-09		DSI		NONE		V10679AR-DC		A	
						SHT 2 OF 3					

D10100DA/16

2

1

2

1

THIS COPY IS PROVIDED ON A RESTRICTED BASIS AND IS NOT TO BE USED IN ANY WAY DETRIMENTAL TO THE INTERESTS OF PANDUIT CORP.

J-HOOKS UP TO 3/8" DIA. MAY BE MOUNTED TO RACK FROM THE FRONT OF THE TOP ANGLES

BONUS HOLES ARE FOR MOUNTING PANDUIT ACCESSORIES, SEE NOTE 1.

MOUNTING HOLES FOR OPTIONAL POWER STRIP BRACKET. BRACKETS CAN BE MOUNTED ON ANY OF THE 4 POSTS OR ADJUSTABLE RAILS.

OPTIONAL POST HOLES FOR BRACKET MOUNTING NETRUNNER

MASKED AREA FOR GROUNDING, TOP & BOTTOM OF RACK. 4 PLACES

BASE ANGLES (SEE SHEET 2 FOR MOUNTING POSITIONS)

"J" BOLT MOUNTING HOLES FOR SECURING LADDER RACK PERPENDICULAR AND PARALLEL TO 4 POST RACK.

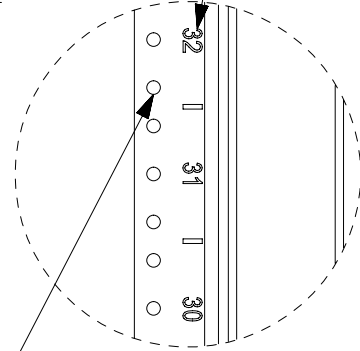
MOUNTING RAILS (ADJUSTABLE FROM 3.25" TO 36")

CUTOUTS FOR MOUNTING PANDUIT ACCESSORIES SEE NOTE 1.

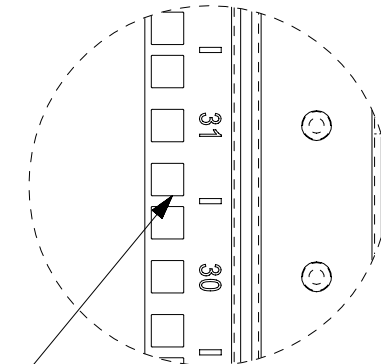
CROSS BEAMS ARE MARKED EVERY 1/2" FOR MOUNTING RAIL ALIGNMENT

MOUNTING HOLES FOR VERTICAL MANAGERS. DOUBLE HOLES ARE FOR MOUNTING PATCHRUNNER. SINGLE HOLES ARE FOR SIDE MOUNTING NETRUNNER.

RU SPACINGS ARE PRINTED ON MOUNTING RAILS



R4P36/R4P36WH RAILS HAVE TAPPED HOLES



R4P36CN/R4P36CNWH RAILS HAVE CAGE NUT HOLES

REV	DATE	BY	CHK	APR	DESCRIPTION	ECN
06A	1-8-18	BAME	JCO	JEFK	SEE SHEET 1 OF 3 FOR REVISIONS	M09000HB
05B	10-23-17	BAME	KRKE	JEFK	SEE SHEET 1 OF 3 FOR REVISIONS	M09000GV
05A	7-12-16	AMF	BAME	KRKE	SEE SHEET 1 OF 3 FOR REVISIONS	M09000EF

REV	DATE	BY	CHK	APR	DESCRIPTION	ECN
BAME	3-31-09	DSI	NONE	SHT 3 OF 3	A	

TITLE						36" DEEP 4 POST RACK					
						CUSTOMER DRAWING					
ITEM REVISION NAME						V10679AR/06					
DATASET FILE NAME						V10679AR_DC/06A					
UNLESS OTHERWISE SPECIFIED, DIMENSIONAL TOLERANCES ARE: IN (mm)											
.X ±						.XXX ±					
.XX ±						ANGLES ±					
						THIRD ANGLE PROJECTION					
DRAWN BY						MATERIAL:					
DATE						STEEL					
CHK						DRAWING NUMBER:					
SCALE						V10679AR-DC					
NONE						SHT 3 OF 3					
						SIZE					
						A					

D101000DA16