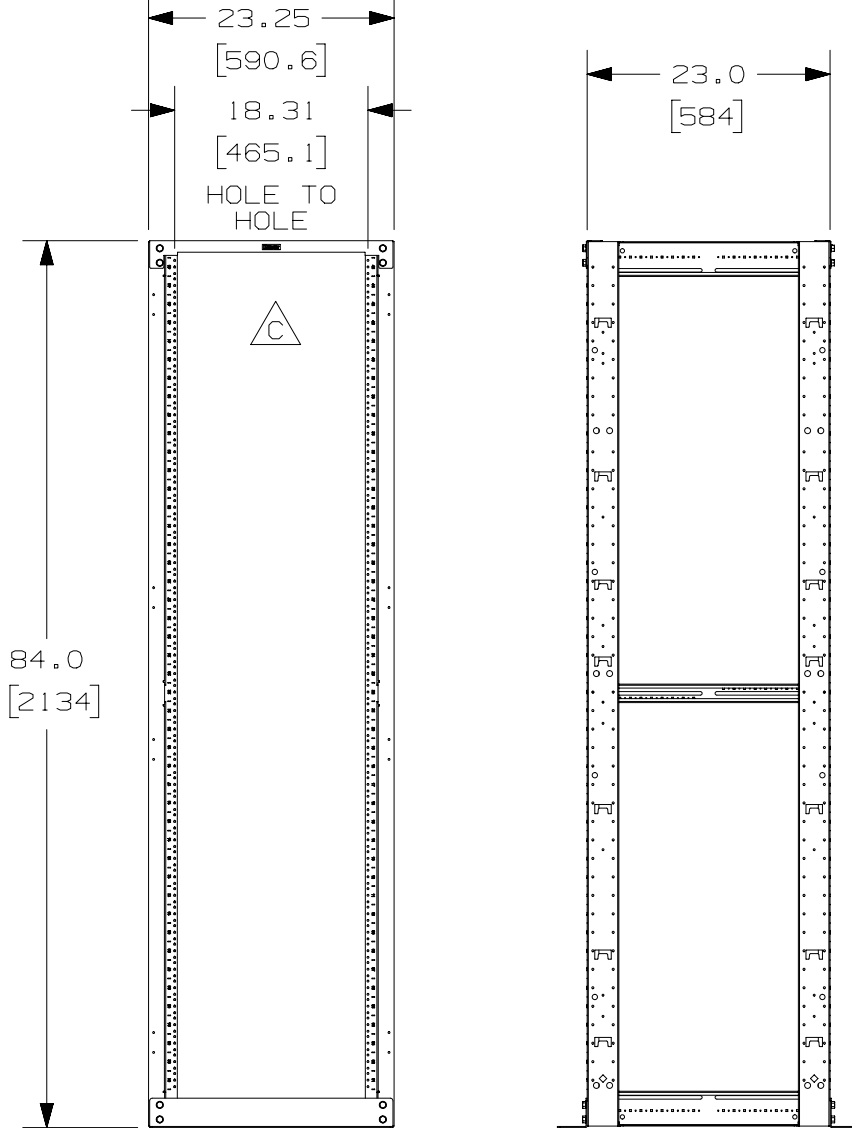


THIS COPY IS PROVIDED ON A RESTRICTED BASIS AND IS NOT TO BE USED IN ANY WAY DETRIMENTAL TO THE INTERESTS OF PANDUIT CORP.



PANDUIT P/N	WEIGHT
R4P23	101 LBS/EACH 45.9 Kg/EACH
R4P23CN	92 LBS/EACH 41.8 Kg/EACH

NOTES:

- VISIT OUR ON-LINE CATALOG AT WWW.PANDUIT.COM FOR A LIST OF CURRENT PARTS APPLICABLE FOR USE WITH THIS PRODUCT.
- DIMENSIONS IN PARENTHESIS ARE METRIC.
- INDEPENDENT ADJUSTABLE FRONT & REAR MOUNTING RAILS (EIA) ADJUST FROM 3.25" TO 23" DEPTH.
- CAN BE USED WITH ANY EIA STANDARD COMPONENT IN ADDITION TO ALL PANDUIT HORIZONTAL CABLE MANAGEMENT AND PATCH PANEL PRODUCTS.
- 45 AVAILABLE RACK SPACES.
- EIA UNIVERSAL STANDARD HOLE PROGRESSION ON FRONT CHANNELS AND REAR MOUNT RAILS .625", .625", .500", .625", .625", .500"...ETC.
- ALL RACKS WILL HAVE NUMBERS UP ORIENTATION (RU "01" ON BOTTOM, RU "45" ON TOP). INSTRUCTIONS WILL BE PROVIDED ON HOW TO GET NUMBERS DOWN ORIENTATION.
- RU SPACING NUMBERS ARE CLEARLY PRINTED ON MOUNTING RAILS.
- ALL ASSEMBLY HARDWARE INCLUDED:
 - (16) 3/8-16 X 1" BLACK HEX BOLT
 - (16) 3/8" PAINT PIERCING GROUNDING WASHER
 - (1) TUBE OF ANTI-OXIDIZING PASTE
 - (25) 12-24 X .5" SLOTTED PAN HEAD STEEL SCREW
 - (25) #12-24 CAGE NUTS (ONLY PROVIDED FOR R4P23CN)
- EASY ASSEMBLY, ONE WRENCH NEEDED TO INSTALL BOLTS INTO WELDNUTS IN ALL 8 CORNERS.
- FULLY BONDED STRUCTURE WHEN ASSEMBLED PER INSTRUCTIONS.
- LOAD RATING - 2500 LBS.

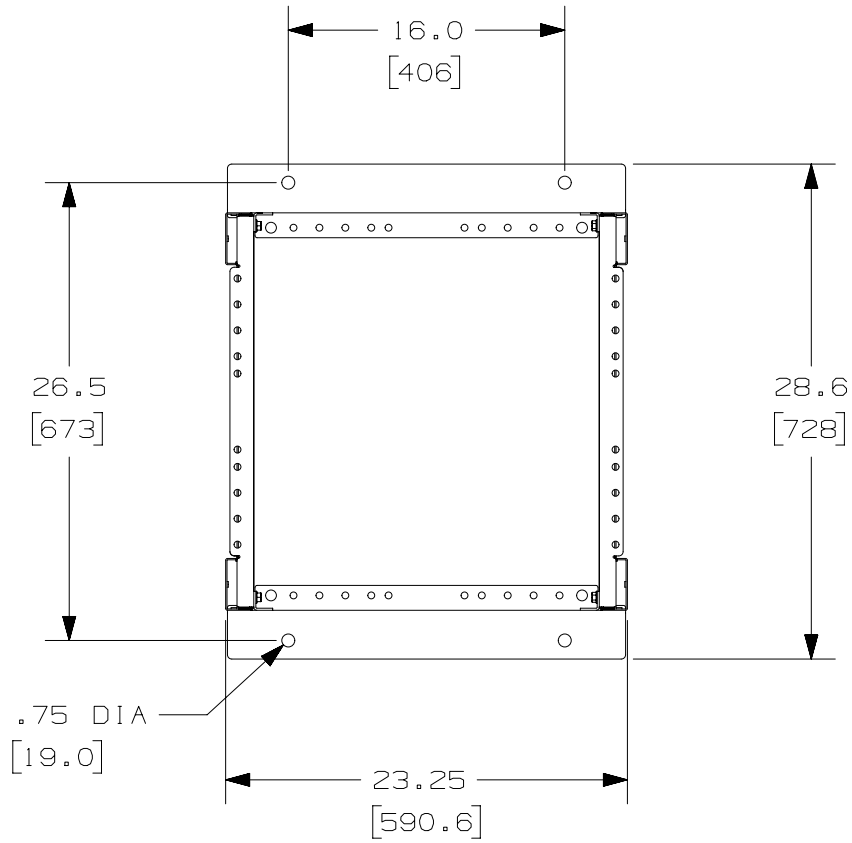


TITLE	
23" DEEP 4 POST RACK (R4P23/R4P23CN)	
CUSTOMER DRAWING	
ITEM REVISION NAME	V10679AV/06
DATASET FILE NAME	V10679AV_DC/06A
UNLESS OTHERWISE SPECIFIED, DIMENSIONAL TOLERANCES ARE: IN (mm)	MATERIAL: STEEL
.X ± .XX ±	.XXX ± ANGLES ±
	DRAWING NUMBER: V10679AV-DC
THIRD ANGLE PROJECTION	
DRAWN BY BAME	DATE 3-31-09
CHK DSI	SCALE NONE
REV	DATE
BY	CHK
APR	DESCRIPTION
ECN	SIZE A
SHT 1 OF 3	

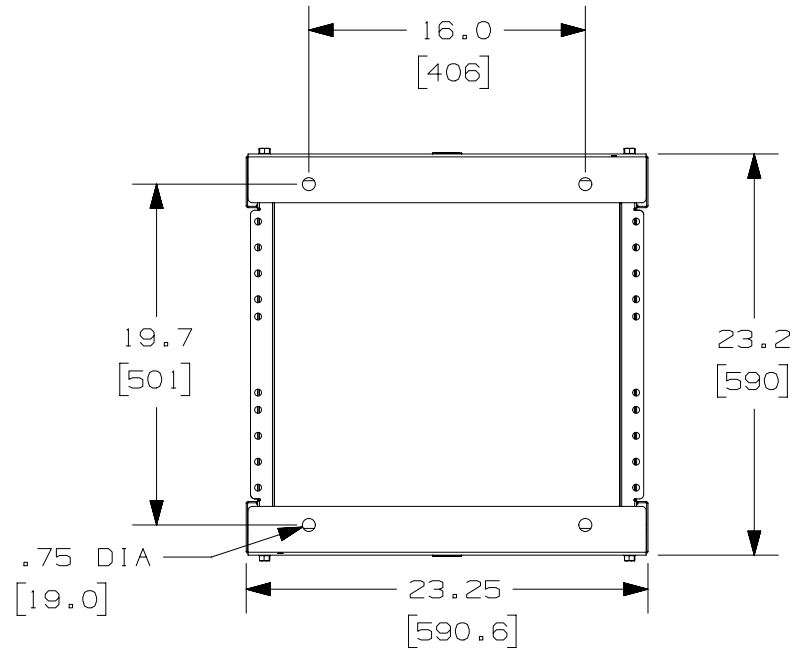
06A	7-18-16	AMF	BAME	KRKE	ADDED NOTE TO PAGE 3	M09000EF
05A	11-11-13	PM	BAME	CMK	C. REPLACED PANDUIT LABEL B. REPLACED DRAWING BORDER	V10679AV-DC
04A	3-3-11	BAME	SRK	CMK	A. REVISED COMPONENT GEOMETRY	V10679AV-DC
03B	3-30-10	PBS	DPN	CMK	REVISED DIMS ON PAGE 2	V10679AV-DC
03A	10-9-09	BAME	DSI	CMK	ADJUSTED LOAD RATING	V10679AV-DC
02A	3-31-09	BAME	DSI	CMK	RELEASED TO PRODUCTION	V10679AV-DC

D110100DA/16

THIS COPY IS PROVIDED ON A RESTRICTED BASIS AND IS NOT TO BE USED IN ANY WAY DETRIMENTAL TO THE INTERESTS OF PANDUIT CORP.



FLOOR FOOTPRINT WITH
BASE ANGLES TURNED
OUTWARD FOR EXTENDED
FOOTPRINT



FLOOR FOOTPRINT WITH
BASE ANGLES TURNED INWARD

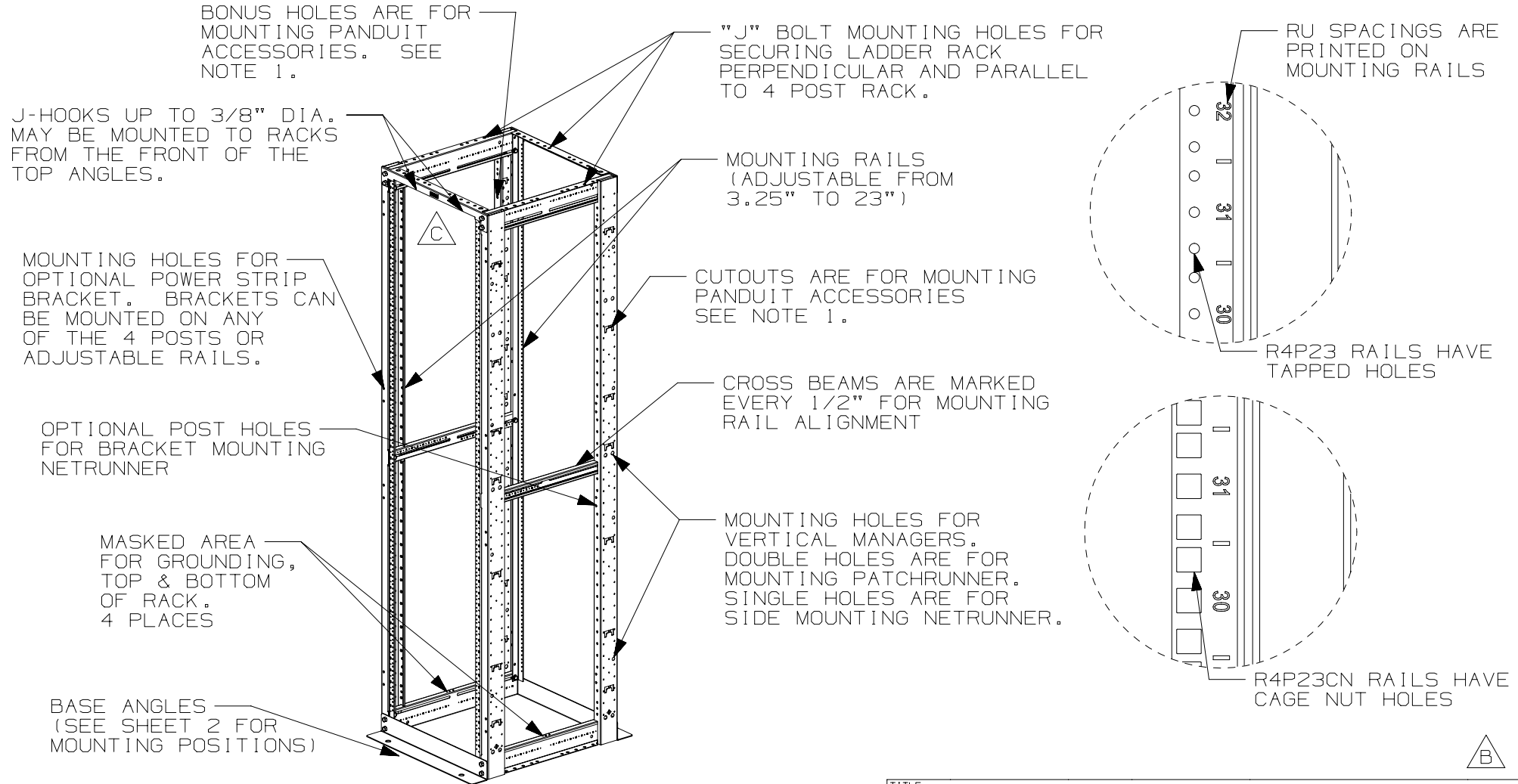
06A	7-18-16	AMF	BAME	KRKE	SEE SHEET 1 OF 3 FOR REVISIONS	M09000EF
05A	11-11-13	PM	BAME	CMK	SEE SHEET 1 OF 3 FOR REVISIONS	V10679AV-DC
04A	3-3-11	BAME	SRK	CMK	SEE SHEET 1 OF 3 FOR REVISIONS	V10679AV-DC
03B	3-30-10	PBS	DPN	CMK	SEE SHEET 1 OF 3 FOR REVISIONS	V10679AV-DC
03A	10-9-09	BAME	DSI	CMK	SEE SHEET 1 OF 3 FOR REVISIONS	V10679AV-DC
02A	3-31-09	BAME	DSI	CMK	SEE SHEET 1 OF 3 FOR REVISIONS	V10679AV-DC

REV	DATE	BY	CHK	APR	DESCRIPTION	ECN
		BAME				

TITLE							23" DEEP 4 POST RACK (R4P23/R4P23CN)		
ITEM REVISION NAME							CUSTOMER DRAWING		
DATASET FILE NAME							PANDUIT		
UNLESS OTHERWISE SPECIFIED, DIMENSIONAL TOLERANCES ARE: IN (mm)							MATERIAL:		
.X ±							STEEL		
.XX ±							DRAWING NUMBER:		
.XXX ±							V10679AV-DC		
ANGLES ±							SHT 2 OF 3		
THIRD ANGLE PROJECTION							SIZE		
DRAWN BY		DATE		CHK		SCALE		SIZE	
BAME		3-31-09		DSI		NONE		A	

D10100DA/16

THIS COPY IS PROVIDED ON A RESTRICTED BASIS AND IS NOT TO BE USED IN ANY WAY DETRIMENTAL TO THE INTERESTS OF PANDUIT CORP.



06A	7-12-16	AMF	BAME	KRKE	SEE SHEET 1 OF 3 FOR REVISIONS	M09000EF
05A	11-11-13	PM	BAME	CMK	SEE SHEET 1 OF 3 FOR REVISIONS	V10679AV-DC
04A	3-3-11	BAME	SRK	CMK	SEE SHEET 1 OF 3 FOR REVISIONS	V10679AV-DC
03B	3-30-10	PBS	DPN	CMK	SEE SHEET 1 OF 3 FOR REVISIONS	V10679AV-DC
03A	10-9-09	BAME	DSI	CMK	SEE SHEET 1 OF 3 FOR REVISIONS	V10679AV-DC
02A	3-31-09	BAME	DSI	CMK	SEE SHEET 1 OF 3 FOR REVISIONS	V10679AV-DC
REV	DATE	BY	CHK	APR	DESCRIPTION	ECN

TITLE						23" DEEP 4 POST RACK (R4P23/R4P23CN)	
ITEM REVISION NAME						CUSTOMER DRAWING	
DATASET FILE NAME						PANDUIT	
UNLESS OTHERWISE SPECIFIED, DIMENSIONAL TOLERANCES ARE: IN (mm)						MATERIAL: STEEL	
DRAWING NUMBER: V10679AV-DC						THIRD ANGLE PROJECTION	
DRAWN BY	DATE	CHK	SCALE				
BAME	3-31-09	DSI	NONE				
SHT 3 OF 3			A				

D10100DA/16