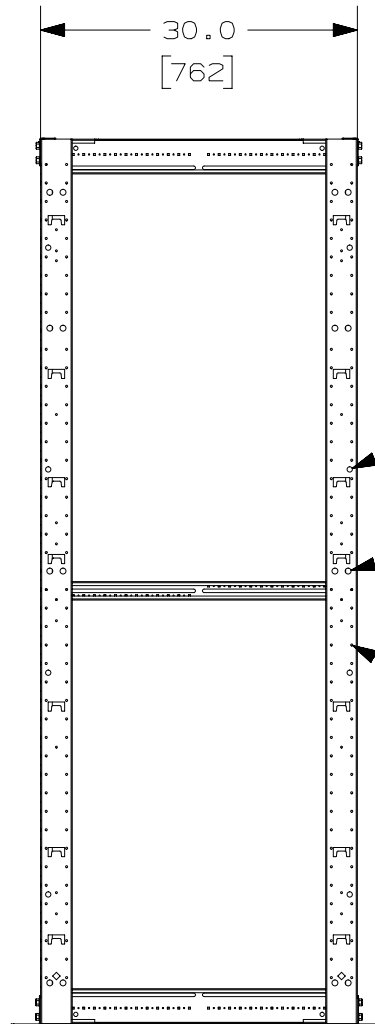
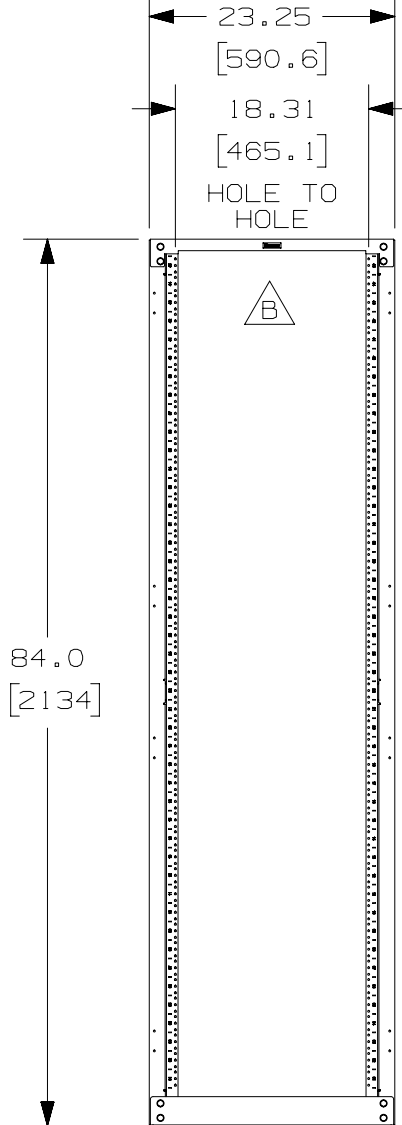


THIS COPY IS PROVIDED ON A RESTRICTED BASIS AND IS NOT TO BE USED IN ANY WAY DETRIMENTAL TO THE INTERESTS OF PANDUIT CORP.



.500 DIA [12.70]
 .560 DIA [14.22]
 .193 DIA [4.90]

PANDUIT P/N	WEIGHT
R4P/R4PWH	105 LBS/EACH 47.6 Kg/EACH
R4PCN/R4PCNWH	96 LBS/EACH 43.5 Kg/EACH

NOTES:

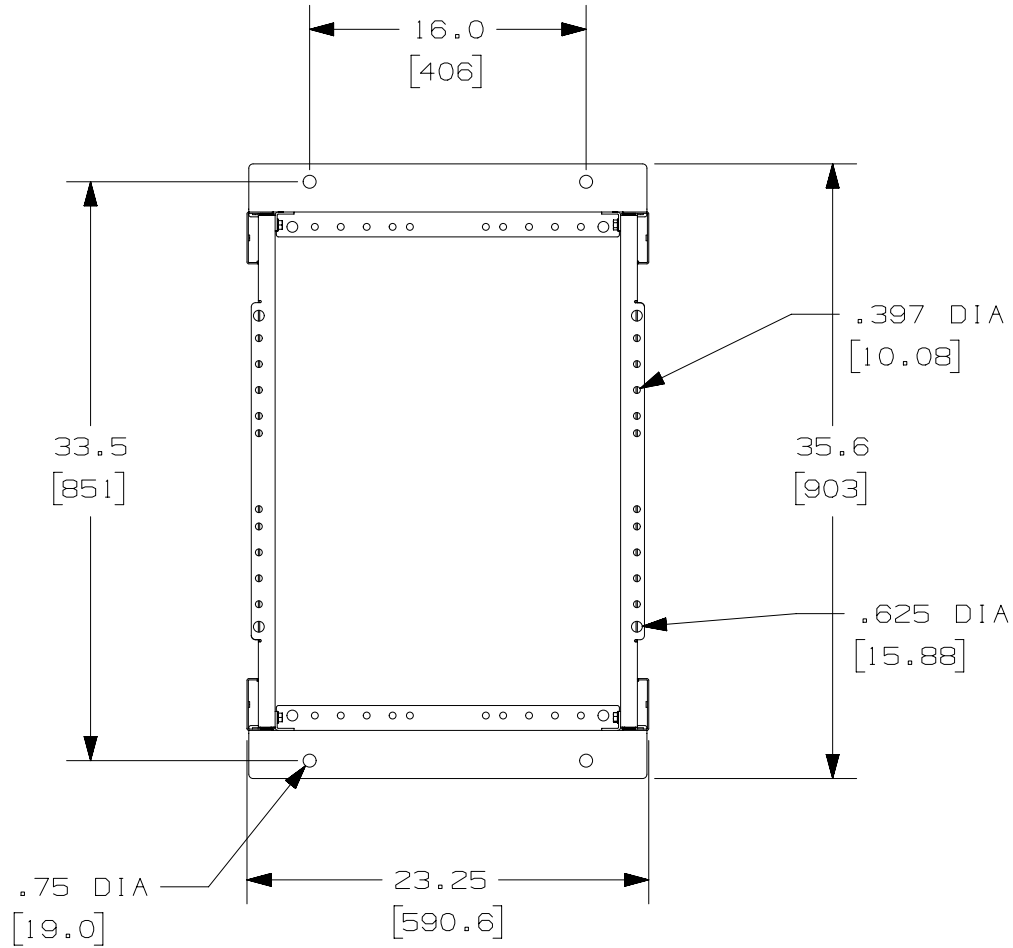
- VISIT OUR ON-LINE CATALOG AT WWW.PANDUIT.COM FOR A LIST OF CURRENT PARTS APPLICABLE FOR USE WITH THIS PRODUCT.
- DIMENSIONS IN PARENTHESIS ARE METRIC.
- INDEPENDENT ADJUSTABLE FRONT & REAR MOUNTING RAILS (EIA) ADJUST FROM 2.75" TO 30" DEPTH.
- CAN BE USED WITH ANY EIA STANDARD COMPONENT IN ADDITION TO ALL PANDUIT HORIZONTAL CABLE MANAGEMENT AND PATCH PANEL PRODUCTS.
- 45 AVAILABLE RACK SPACES.
- EIA UNIVERSAL STANDARD HOLE PROGRESSION ON FRONT CHANNELS AND REAR MOUNT RAILS .625", .625", .500", .625", .625", .500"...ETC.
- ALL RACKS WILL HAVE NUMBERS UP ORIENTATION (RU "01" ON BOTTOM, RU "45" ON TOP). INSTRUCTIONS WILL BE PROVIDED ON HOW TO GET NUMBERS DOWN ORIENTATION.
- RU SPACING NUMBERS ARE CLEARLY PRINTED ON MOUNTING RAILS.
- ALL ASSEMBLY HARDWARE INCLUDED:
 (16) 3/8-16 X 1" BLACK HEX BOLT
 (16) 3/8" PAINT PIERCING GROUNDING WASHER
 (1) TUBE OF ANTI-OXIDIZING PASTE
 (25) 12-24 X .5" SLOTTED PAN HEAD STEEL SCREW
 (25) #12-24 CAGE NUTS (ONLY PROVIDED FOR R4PCN)
- EASY ASSEMBLY, ONE WRENCH NEEDED TO INSTALL BOLTS INTO WELDNUTS IN ALL 8 CORNERS.
- FULLY BONDED STRUCTURE WHEN ASSEMBLED PER INSTRUCTIONS.
- LOAD RATING - 2500 LBS.

TITLE		30" DEEP 4 POST RACK	
ITEM REVISION NAME		CUSTOMER DRAWING	
DATASET FILE NAME		PANDUIT	
UNLESS OTHERWISE SPECIFIED, DIMENSIONAL TOLERANCES ARE: IN (mm)		MATERIAL:	
.X ± .XX ±		STEEL	
.XXX ± ANGLES ±		DRAWING NUMBER:	
		V10679AB-DC	
DRAWN BY	DATE	CHK	SCALE
BAME	3-30-09	DSI	NONE
SHT 1 OF 3			SIZE
			A

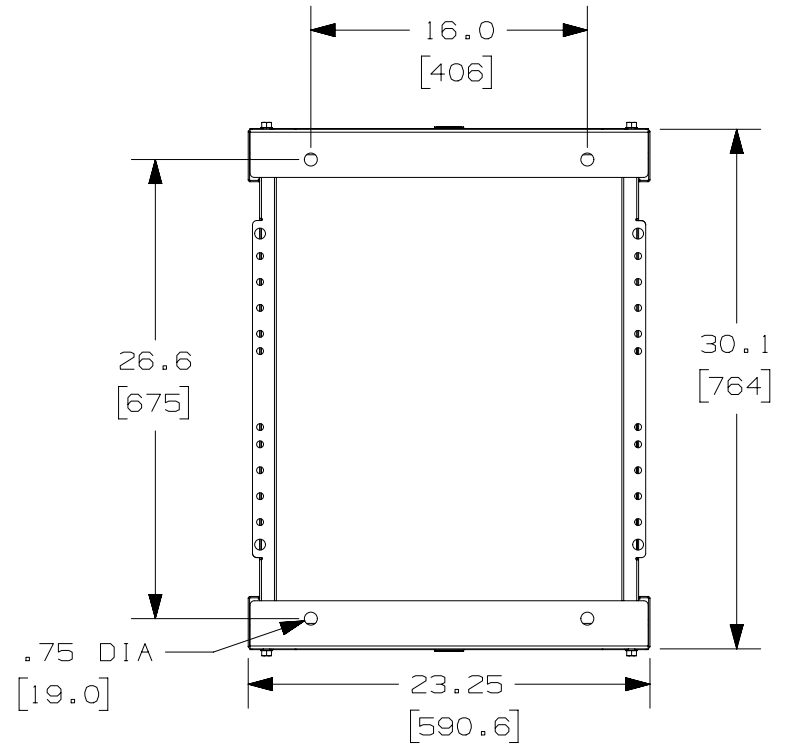
REV	DATE	BY	CHK	APR	DESCRIPTION	ECN
09A	1-8-18	BAME	JCO	JEFK	REALIGNED HOLES FOR PATCHRUNNER 2	M09000HB
08A	10-20-17	BAME	KRKE	JEFK	ADDED P/N R4PWH AND R4PCNWH	M09000GV

D110100DA/15

THIS COPY IS PROVIDED ON A RESTRICTED BASIS AND IS NOT TO BE USED IN ANY WAY DETRIMENTAL TO THE INTERESTS OF PANDUIT CORP.



FLOOR FOOTPRINT WITH
BASE ANGLES TURNED
OUTWARD FOR EXTENDED
FOOTPRINT



FLOOR FOOTPRINT WITH
BASE ANGLES TURNED INWARD

TITLE		30" DEEP 4 POST RACK	
		CUSTOMER DRAWING	
ITEM REVISION NAME		V10679AB/09	
DATASET FILE NAME		V10679AB_DC/09A	
UNLESS OTHERWISE SPECIFIED, DIMENSIONAL TOLERANCES ARE: IN (mm)		MATERIAL:	
.X ± .XX ±		STEEL	
.XXX ± ANGLES ±		DRAWING NUMBER:	
 THIRD ANGLE PROJECTION		V10679AB-DC	
DRAWN BY	DATE	CHK	SCALE
BAME	3-30-09	DSI	NONE
SHT 2 OF 3		SIZE	
		A	

REV	DATE	BY	CHK	APR	DESCRIPTION	ECN
09A	1-8-18	BAME	JCO	JEFK	SEE SHEET 1 OF 3 FOR REVISIONS	M09000HB
08A	10-20-17	BAME	KRKE	JEFK	SEE SHEET 1 OF 3 FOR REVISIONS	M09000GV

D10100DA/15

