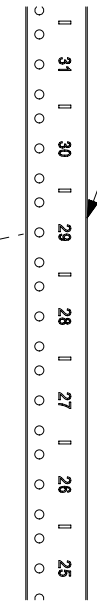
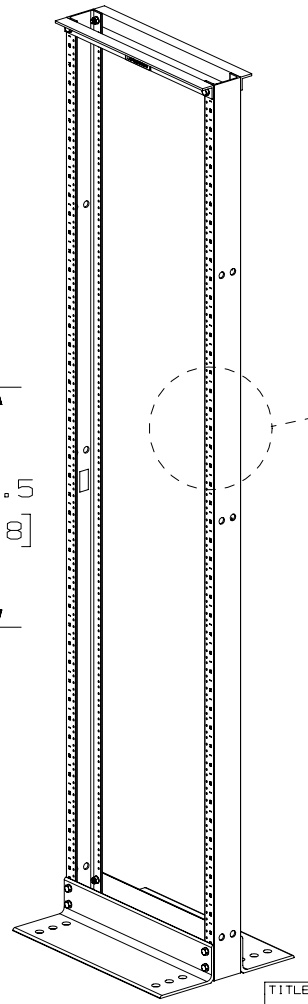
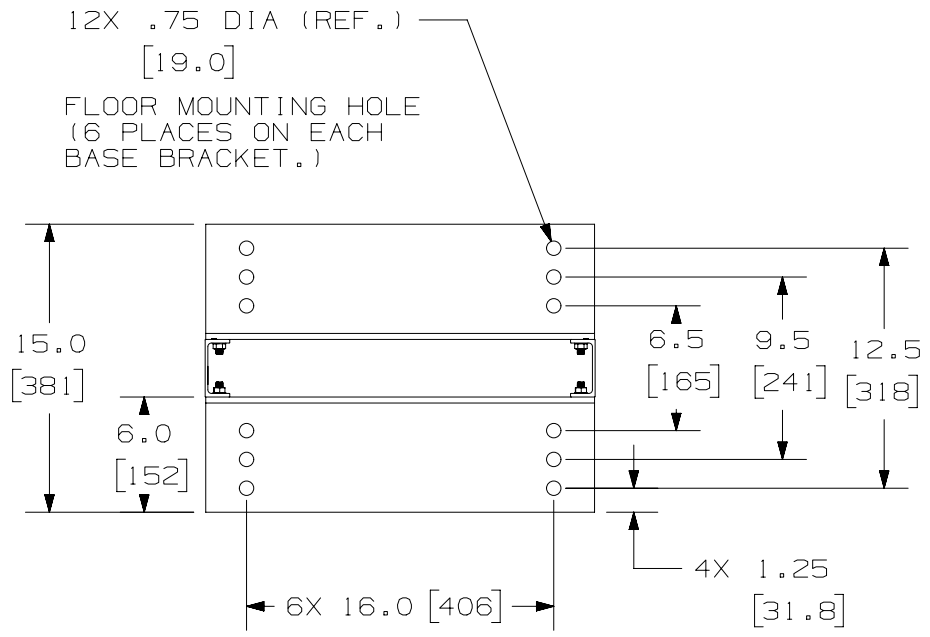


THIS COPY IS PROVIDED ON A RESTRICTED BASIS AND IS NOT TO BE USED IN ANY WAY DETRIMENTAL TO THE INTERESTS OF PANDUIT CORP.



CLOSE UP VIEW
OF VERTICAL CHANNEL

REV	DATE	BY	CHK	APR	DESCRIPTION	ECN
01C	11/11/15	BAME			SEE SHEET 1 OF 2	
01B	4/22/13	RYB			SEE SHEET 1 OF 2	09V064AC_DC

TITLE		7" CABLE MANAGEMENT RACK	
CUSTOMER DRAWING			
ITEM REVISION NAME		09V064AC/01	
DATASET FILE NAME		09V064AC_DC/01B	
UNLESS OTHERWISE SPECIFIED, DIMENSIONAL TOLERANCES ARE: IN (mm)		MATERIAL: ALUMINUM	
.X ± .XX ±		.XXX ± ANGLES ±	
THIRD ANGLE PROJECTION		DRAWING NUMBER: 09V064AC_DC	
DRAWN BY	DATE	CHK	SCALE
BAME	5-26-10	DPN	NONE
SHT 2 OF 2			SIZE A