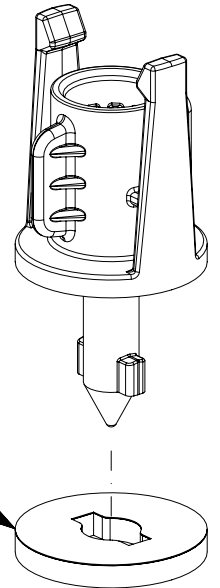
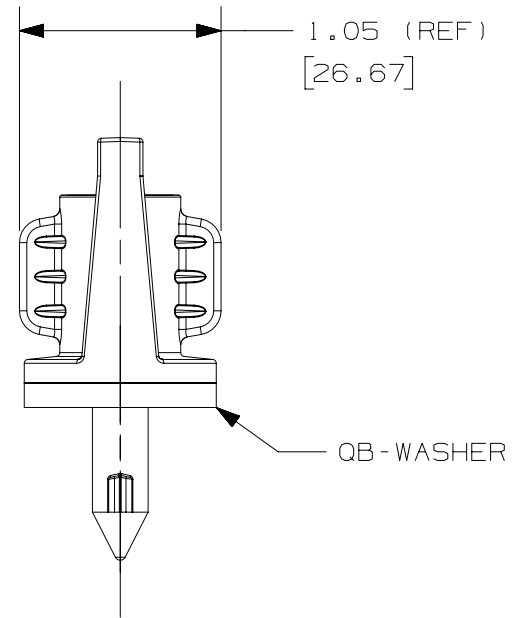
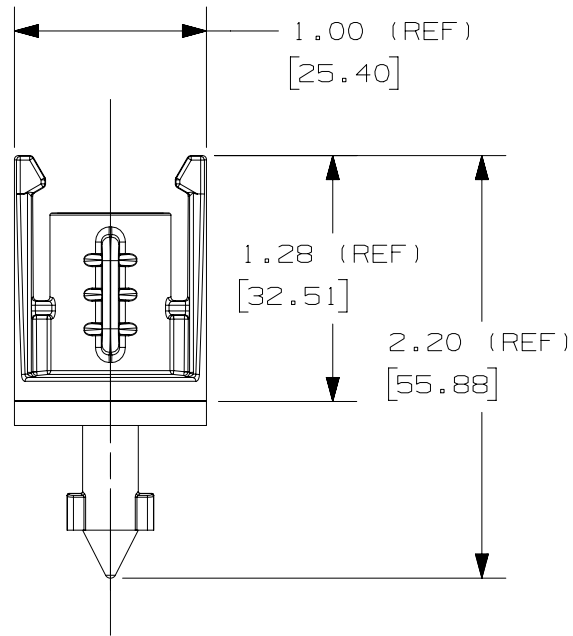


THIS COPY IS PROVIDED ON A RESTRICTED BASIS AND IS NOT TO BE USED IN ANY WAY DETRIMENTAL TO THE INTERESTS OF PANDUIT CORP.



NOTES:

1. DIMENSIONS IN BRACKETS [] ARE METRIC [mm]
2. PRODUCT DESIGNED TO TWIST AND LOCK INTO PANDUIT PART: QB-TILE.
3. PRODUCT DESIGNED TO ACCEPT PANDUIT PARTS: QB-BASE120, QB-BASE175, QB-SN1-Q, QB-SN2-Q, QB-SN3-Q, QB-FN1-Q, QB-FN2-Q, QB-FN3-Q.
4. PRODUCT DESIGNED TO SUPPORT A MAXIMUM STATIC 5 LB LOAD WITH COMPATIBLE PARTS.
5. PRODUCT IS RATED FOR ENVIRONMENTAL CONDITIONS OF 40-100°F IN ALL HUMIDITY CONDITIONS.
6. REPLACEMENT WASHERS SOLD SEPERATELY.

TITLE				QUICK-BUILD MOUNTING PEG FOR USE WITH NAIL BASES AND MOUNTING PLATFORMS; 50 PER PACKAGE (QB-MOUNT-L)				CUSTOMER DRAWING	
ITEM REVISION NAME				14L203AR/01				PANDUIT	
DATASET FILE NAME				14L203AR-DC					
UNLESS OTHERWISE SPECIFIED, DIMENSIONAL TOLERANCES ARE: IN [mm]				MATERIAL:				VARIOUS	
.x ± .1 [2.54]				.xxx ± .005 [.127]				DRAWING NUMBER:	
.xx ± .01 [.25]				ANGLES ± 5 °				14L203AR-DC	
				THIRD ANGLE PROJECTION				SHT 1 OF 1	
DRAWN BY		DATE		CHK		SCALE		SIZE	
ANF		6-11-15		DJW		1:1		A	

00	6-11-15	ANF	DJW	MSAD	DRAWING RELEASE	GAECN03009
REV	DATE	BY	CHK	APR	DESCRIPTION	ECN