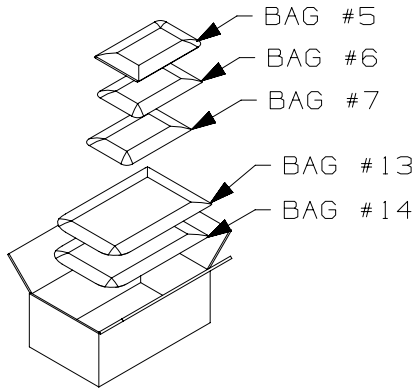
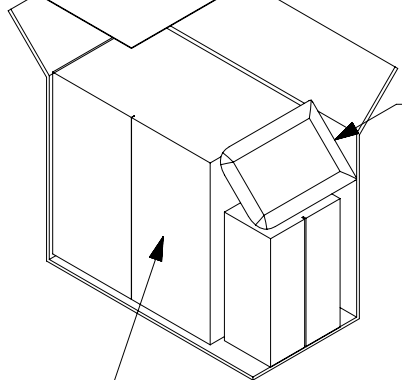


THIS COPY IS PROVIDED ON A RESTRICTED BASIS AND IS NOT TO BE USED IN ANY WAY DETRIMENTAL TO THE INTERESTS OF PANDUIT CORP.

QUICK BUILD  
PRODUCT BULLETIN

QB-KIT2  
LIST OF COMPONENTS



BAG #12	
PART NUMBER	QTY
QB-MOUNT-L	35
DESCRIPTION QUICK-BUILD MOUNTING PEGS	

BAG #13	
PART NUMBER	QTY
QB-WEH1012-Q	10
QB-WEH1416-Q	10
QB-WEH1822-Q	10
DESCRIPTION WIRE END HOLDER 10-12 ga	
WIRE END HOLDER 14-16 ga	
WIRE END HOLDER 18-22 ga	

BAG #14	
PART NUMBER	QTY
QB-RER.5-X	3
QB-RER.75-X	3
QB-RER1.25-X	2
DESCRIPTION .5 IN ELASTIC BUNDLE RETAINER	
.75 IN ELASTIC BUNDLE RETAINER	
1.25 IN ELASTIC BUNDLE RETAINER	

BAG #5	
PART NUMBER	QTY
HBN1-T	12
QB-FN1-Q	2
QB-SN1-Q	2
DESCRIPTION 1" NAIL FIVE NAIL HOLDER FOR 1" NAIL SINGLE NAIL HOLDER FOR 1" NAIL	

BAG #6	
PART NUMBER	QTY
HBN2-T	30
QB-FN2-Q	5
QB-SN2-Q	5
DESCRIPTION 2" NAIL FIVE NAIL HOLDER FOR 2" NAIL SINGLE NAIL HOLDER FOR 2" NAIL	

BAG #7	
PART NUMBER	QTY
HBN3-T	12
QB-FN3-Q	2
QB-SN3-Q	2
DESCRIPTION 3" NAIL FIVE NAIL HOLDER FOR 3" NAIL SINGLE NAIL HOLDER FOR 3" NAIL	

REV	DATE	BY	CHK	APR	DESCRIPTION	ECN
00	3/1/17	RVU	DJW	JHAC	INITIAL RELEASE	GAECN04087

TITLE <b>QB-KIT2</b> CUSTOMER DRAWING		<b>PANDUIT</b>
ITEM REVISION NAME 14L203SN/00		
DATASET FILE NAME 14L203SN_DC/00		
UNLESS OTHERWISE SPECIFIED, DIMENSIONAL TOLERANCES ARE: IN ( mm ) .X ± .XXX ± .XX ± ANGLES ±		
DRAWN BY RVU		DRAWING NUMBER: 14L203SN_DC
DATE 3/1/17		
CHK JHAC		SHT 1 OF 1
SCALE NONE		
THIRD ANGLE PROJECTION		SIZE A

2

1