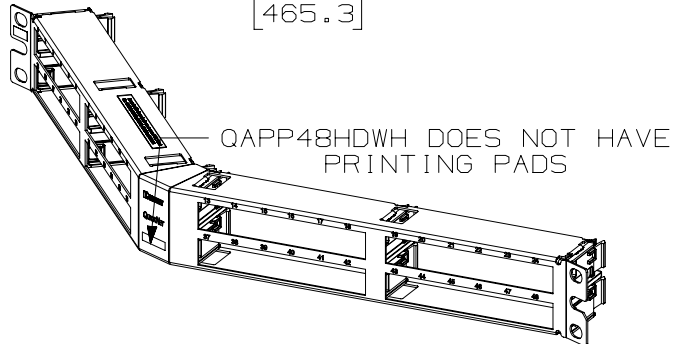
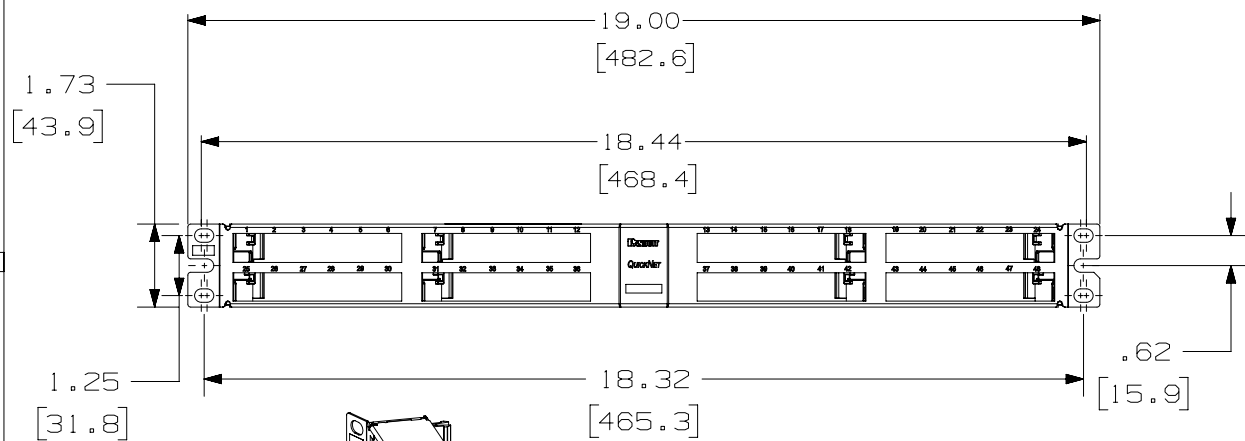
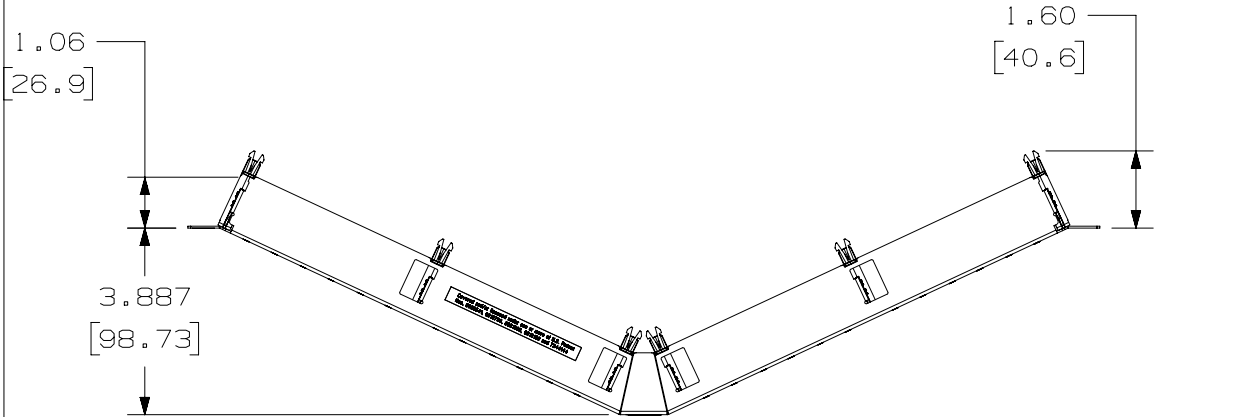


THIS COPY IS PROVIDED ON A RESTRICTED BASIS AND IS NOT TO BE USED IN ANY WAY DETRIMENTAL TO THE INTERESTS OF PANDUIT CORP.



PANDUIT PART NO.	WEIGHT (APPOX.)
QAPP48HDBL	0.65 lb (294.8 g)
QAPP48HDWH	0.65 lb (294.8 g)

- NOTES:
- SEE CURRENT CATALOG FOR VARIOUS APPLICATIONS.
 - THE PATCH PANEL IS DESIGNED FOR MOUNTING TO 19" UNIVERSAL RACKS.
 - DIMENSIONS IN BRACKETS ARE IN METRIC.
 - PART INCLUDES:
 - 1- METAL STAMPING WITH SLIDE GUIDES
 - 1- SCREW KIT (INCLUDES FOUR #12-24 SCREWS)
 - 1- SCREW KIT (INCLUDES FOUR M6 SCREWS)
 - QAPP48HDBL IS BLACK WITH WHITE SILKSCREENING.
QAPP48HDWH IS WHITE WITH WHITE SILKSCREENING.

PART NUMBER		QAPP48HDBL/QAPP48HDBL	
TITLE		QUICKNET 48 PORT ANGLED PATCH PANEL	
		CUSTOMER DRAWING	
ITEM REVISION NAME		M02582BS/11	
DATASET FILE NAME		M02582BS_DC20/11A	
UNLESS OTHERWISE SPECIFIED, DIMENSIONAL TOLERANCES ARE: IN (mm)		MATERIAL:	
.x ± .xxx ± .010 (.3)		PANEL CRS	
.xx ± .03 (.8)		GUIDES ABS	
ANGLES ±		DRAWING NUMBER:	
		02582-20	
DRAWN BY	DATE	CHK	SCALE
MDJr	9-01-06	WFMI	NONE
REV	DATE	BY	DESCRIPTION
3	1/26/18	BAME	KRKE
2	5/23/14	JSP	REFR
			TMBA
			ADDED P/N QAPP48HDWH
			REVISED AND REDRAWN, PREVIOUS REVISIONS HAVE BEEN OMITTED.
			ECN
			M09000HA
			02582-20
			SHT 1 OF 1
			A

D10100DA/14