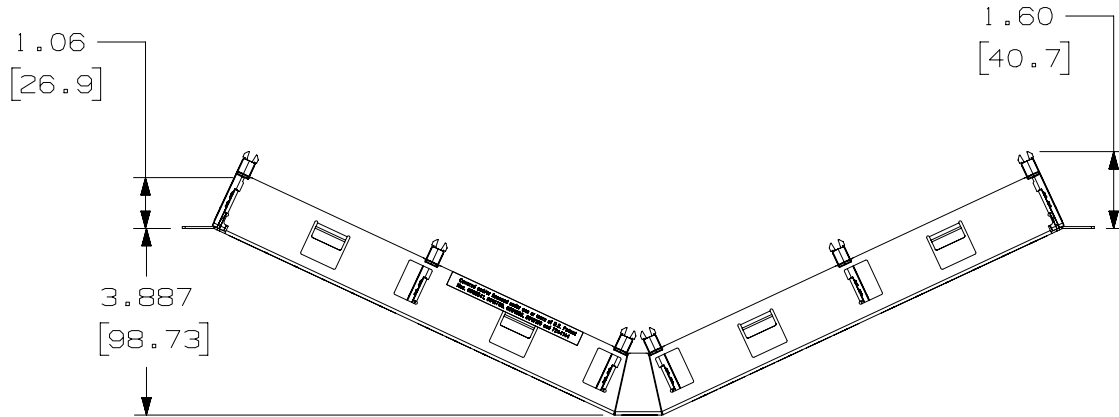


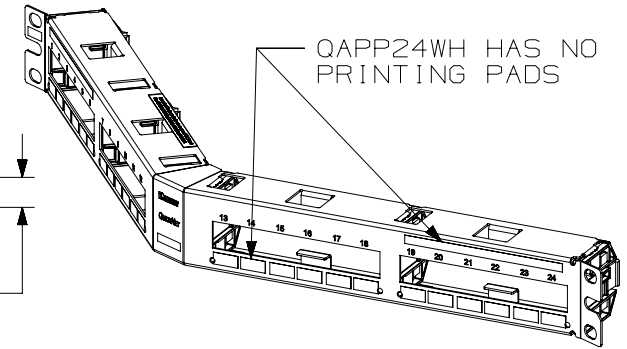
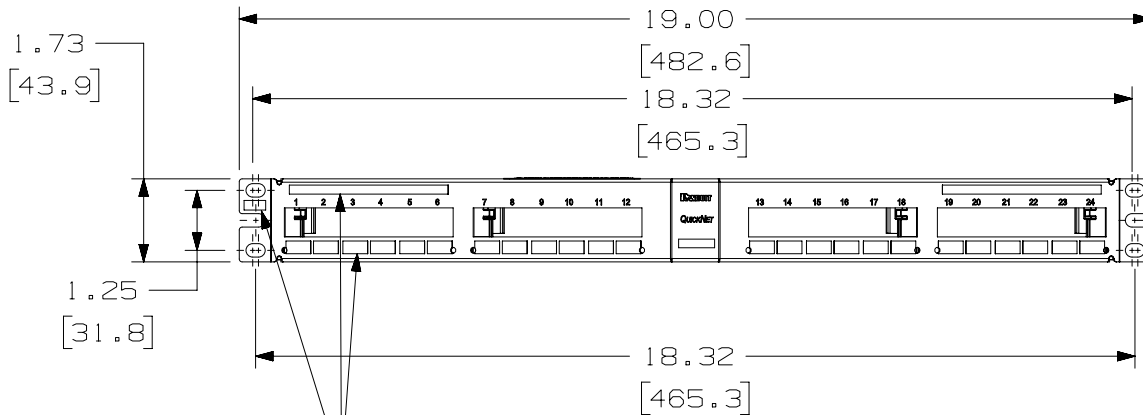
THIS COPY IS PROVIDED ON A RESTRICTED BASIS AND IS NOT TO BE USED IN ANY WAY DETRIMENTAL TO THE INTERESTS OF PANDUIT CORP.



PANDUIT PART NO.	WEIGHT (APPOX.)
QAPP24BL	0.80 lb (362.9 g)
QAPP24WH	0.80 lb (362.9 g)

NOTES:

- SEE CURRENT CATALOG FOR VARIOUS APPLICATIONS.
- THE PATCH PANEL IS DESIGNED FOR MOUNTING TO 19" UNIVERSAL RACKS.
- DIMENSIONS IN BRACKETS ARE IN METRIC.
- PART INCLUDES:
  - 1- METAL STAMPING WITH SLIDE GUIDES
  - 1- SCREW KIT (INCLUDES FOUR #12-24 SCREWS)
  - 1- SCREW KIT (INCLUDES FOUR M6 SCREWS)
- QAPP24BL IS BLACK WITH WHITE SILKSCREENING. QAPP24WH IS WHITE WITH BLACK SILKSCREENING.



PRINTED RECTANGLES NOT INCLUDED WITH QAPP24WH

PART NUMBER		QAPP24BL ; QAPP24WH	
TITLE			
QUICKNET 24 PORT ANGLED PATCH PANEL			
CUSTOMER DRAWING			
ITEM REVISION NAME		M02582BR/07	
DATASET FILE NAME		M02582BR_DC19/07A	
UNLESS OTHERWISE SPECIFIED, DIMENSIONAL TOLERANCES ARE: IN [mm]		MATERIAL:	
.x ± .xx ± .03 [ .8 ]		PANEL: C.R.S. GUIDES: ABS	
.xxx ± .010 [ .3 ]		DRAWING NUMBER:	
ANGLES ±		02582 - 19	
THIRD ANGLE PROJECTION		SHT 1 OF 1	
DRAWN BY	DATE	CHK	SCALE
MDJr	9-01-06	WFMi	NONE
REV	DATE	BY	CHK
3	12/20/17	BAME	KRKE
2	5/23/14	JSP	REFR
APR	DESCRIPTION	ECN	
	ADDED P/N QAPP24WH	M09000HA	
	REVISED AND REDRAWN, PREVIOUS REVISIONS HAVE BEEN OMITTED.	02582-19	

D10100DA/14