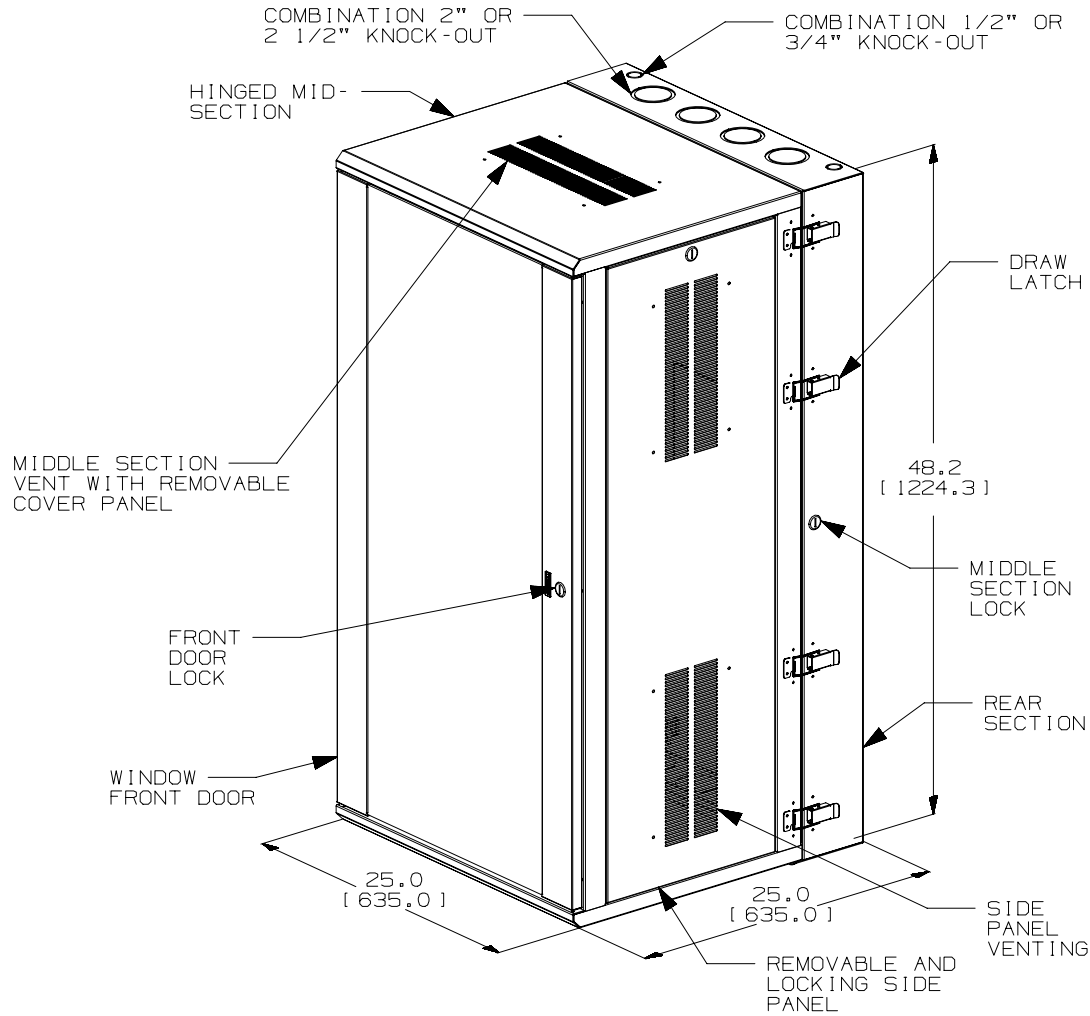


THIS COPY IS PROVIDED ON A RESTRICTED BASIS AND IS NOT TO BE USED IN ANY WAY DETRIMENTAL TO THE INTERESTS OF PANDUIT CORP.



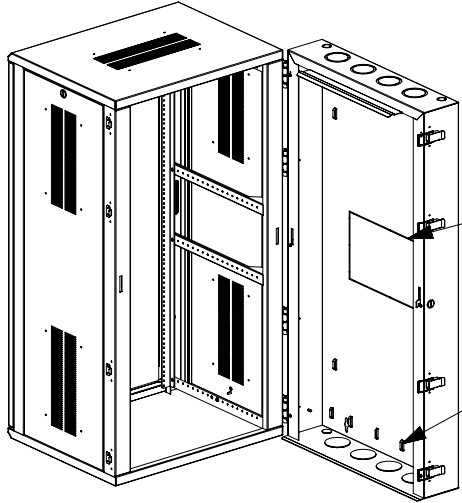
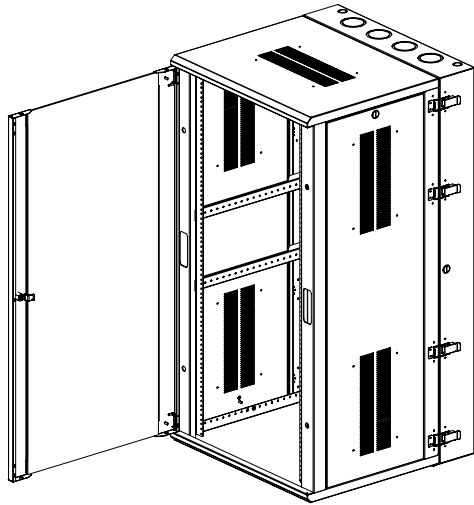
PANDUIT PART NO.	WEIGHT
PZWMC26W	155 LBS/EACH 70.3 kg/EACH

NOTES:

- VISIT OUR ON-LINE CATALOG AT [WWW.PANDUIT.COM](http://WWW.PANDUIT.COM) FOR A LIST OF CURRENT PARTS APPLICABLE FOR USE WITH THIS PRODUCT.
- DIMENSIONS IN PARENTHESES ARE METRIC (mm).
- CAN BE USED WITH ANY 19" EIA STANDARD COMPONENT UP TO 20" DEEP WITH ROOM FOR PATCH CORDS OR 21.8" DEEP WITH THE RAILS IN FORWARD MOST POSITION.
- 26 AVAILBLE RACK SPACES.
- VERTICAL EQUIPMENT MOUNTING ANGLES ARE ADJUSTABLE FRONT TO REAR OF CABINET IN .9" INCREMENTS.
- LOAD CAPACITY, 350-LBS.
- INSTALLS IN EITHER A HINGED RIGHT OR HINGED LEFT APPLICATION.
- FRONT ACCESS THROUGH DOOR; REAR ACCESS THROUGH HINGED MID-SECTION.
- PARTS SUPPLIED: (12) - #12-24 SCREWS  
(1) - ROLL OF TAK-TY  
(3) - SETS OF KEYS  
(1) - SPARE DOOR HINGE SPACER

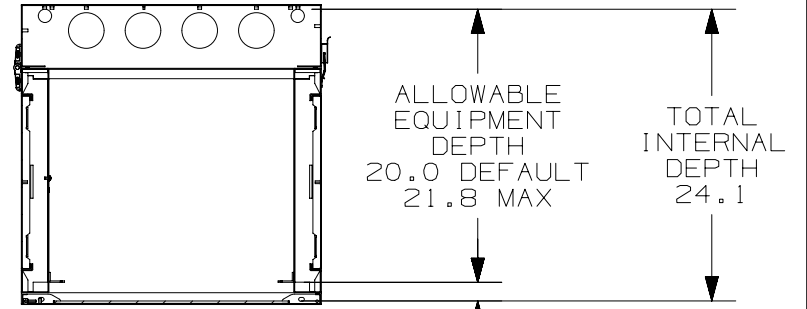
						TITLE		PANZONE 26RU HINGED WALL MOUNT CABINET (PZWMC26W) WINDOW DOOR				
						CUSTOMER DRAWING						
						ITEM REVISION NAME		00198EAG/00.PRT				
						DATASET FILE NAME		00198EAG_DC/00A.PRT				
						UNLESS OTHERWISE SPECIFIED, DIMENSIONAL TOLERANCES ARE: IN (mm)		MATERIAL:				
								CABINET - STEEL WINDOW DOOR - TEMPERED SAFETY GLASS				
00A 9-27-18 TWV KZU JEFK RELEASED TO PRODUCTION						00198EAG-DC		DRAWING NUMBER: 00198EAG-DC				
REV	DATE	BY	CHK	APR	DESCRIPTION	ECN	DRAWN BY	DATE	CHK	SCALE	SHT 1 OF 2	SIZE
							TWV	9-27-18	KZU	NONE		A

THIS COPY IS PROVIDED ON A RESTRICTED BASIS AND IS NOT TO BE USED IN ANY WAY DETRIMENTAL TO THE INTERESTS OF PANDUIT CORP.



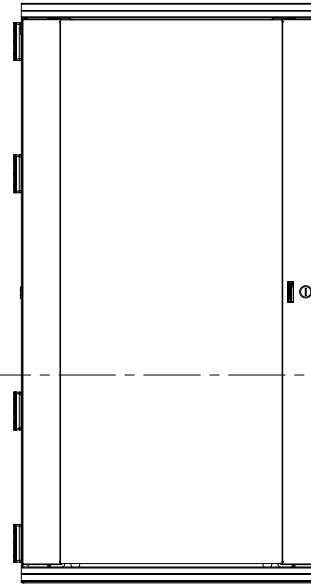
15" X 8.5"  
RECTANGULAR  
KNOCK-OUT

CABLE TIE  
POINTS



SECTION A-A  
EQUIPMENT RAIL  
SPACING

CABLE  
MANAGEMENT  
DEPTH  
4.1 DEFAULT  
2.3 MINIMUM



FRONT VIEW

00A	9-27-18	TWV	KZU	JEFK	SEE SHEET ONE FOR REVISIONS				00198EAG-DC
REV	DATE	BY	CHK	APR	DESCRIPTION	ECN			

TITLE PANZONE 26RU HINGED WALL MOUNT CABINET (PZWMC26W) WINDOW DOOR CUSTOMER DRAWING									
ITEM REVISION NAME 00198EAG/00.PRT					<b>PANDUIT</b>				
DATASET FILE NAME 00198EAG_DC/00A.PRT									
UNLESS OTHERWISE SPECIFIED, DIMENSIONAL TOLERANCES ARE: IN ( mm )					MATERIAL: CABINET - STEEL WINDOW DOOR - TEMPERED SAFETY GLASS				
					DRAWING NUMBER: 00198EAG-DC				
DRAWN BY TWV		DATE 9-27-18		CHK KZU		SCALE NONE		SHT 2 OF 2	
					THIRD ANGLE PROJECTION				SIZE A