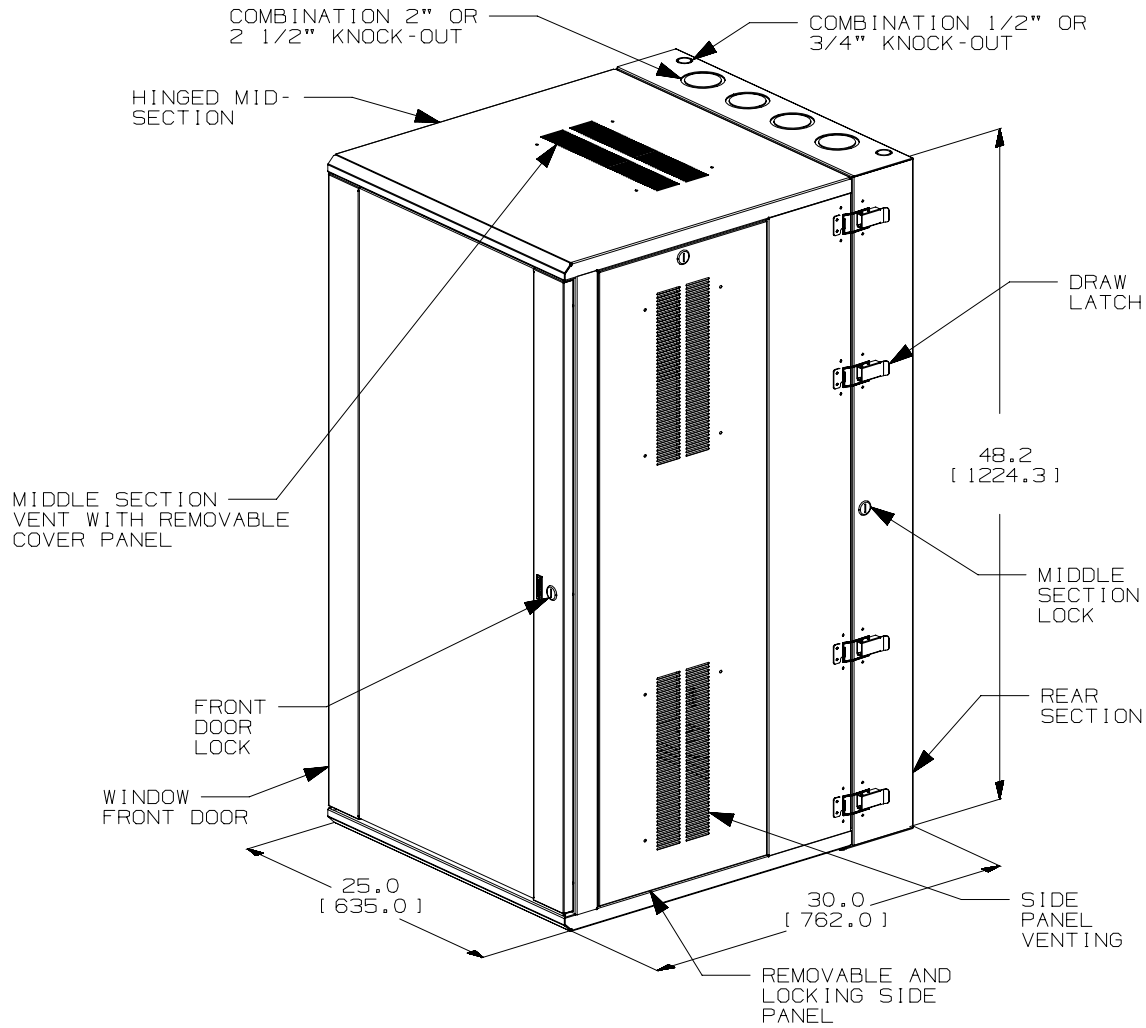


THIS COPY IS PROVIDED ON A RESTRICTED BASIS AND IS NOT TO BE USED IN ANY WAY DETRIMENTAL TO THE INTERESTS OF PANDUIT CORP.



PANDUIT PART NO.	COLOR	WEIGHT
PZWMC2630W	BLACK	177 LBS/EACH
PZWMC2630WH	WHITE	80.3 kg/EACH

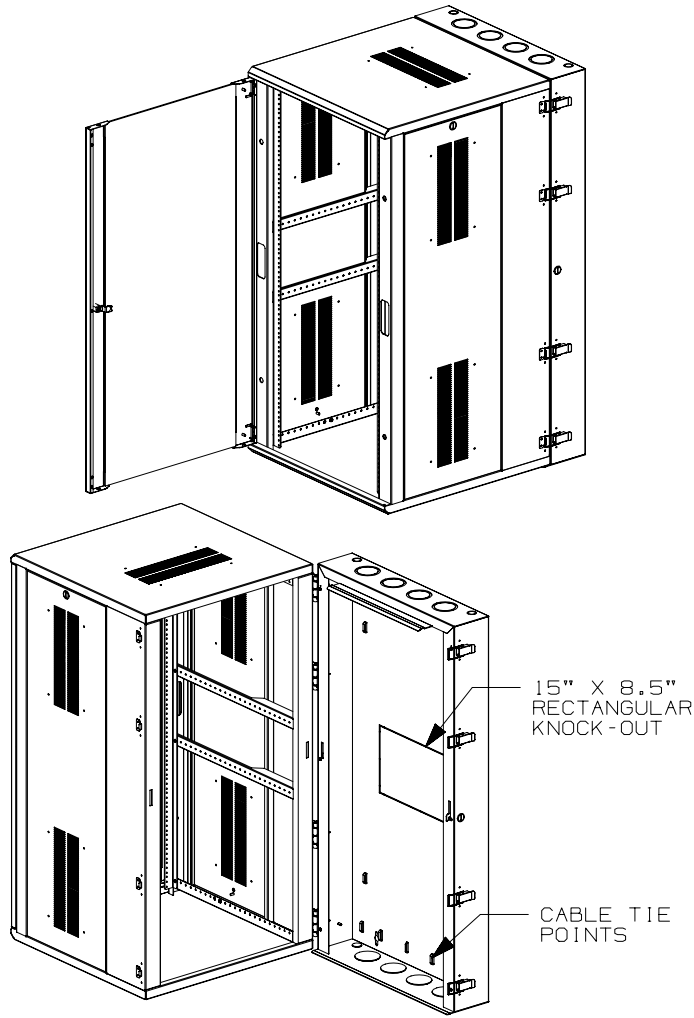
NOTES:

- VISIT OUR ON-LINE CATALOG AT WWW.PANDUIT.COM FOR A LIST OF CURRENT PARTS APPLICABLE FOR USE WITH THIS PRODUCT.
- DIMENSIONS IN PARENTHESES ARE METRIC (mm).
- CAN BE USED WITH ANY 19" EIA STANDARD COMPONENT UP TO 25" DEEP WITH ROOM FOR PATCH CORDS OR 26.8" DEEP WITH THE RAILS IN FORWARD MOST POSITION.
- 26 AVAILBLE RACK SPACES.
- VERTICAL EQUIPMENT MOUNTING ANGLES ARE ADJUSTABLE FRONT TO REAR OF CABINET IN .9" INCREMENTS.
- LOAD CAPACITY, 350-LBS.
- INSTALLS IN EITHER A HINGED RIGHT OR HINGED LEFT APPLICATION.
- FRONT ACCESS THROUGH DOOR; REAR ACCESS THROUGH HINGED MID-SECTION.
- PARTS SUPPLIED: (12) - #12-24 SCREWS
(1) - ROLL OF TAK-TY
(3) - SETS OF KEYS
(1) - SPARE DOOR HINGE SPACER

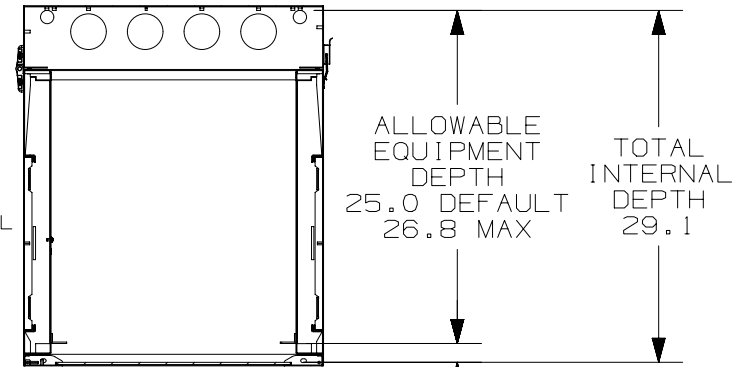
REV	DATE	BY	CHK	APR	DESCRIPTION	ECN
00B	8-12-19	BJN	KZU	BETL	ADDED WHITE CABINET OPTION	M09000JW
00A	9-27-18	TWV	KZU	JEFK	RELEASED TO PRODUCTION	00198EAI-DC

TITLE PANZONE 26RU, 30" DEEP HINGED WALL MOUNT CABINET (PZWMC2630W) WINDOW DOOR CUSTOMER DRAWING	
ITEM REVISION NAME 00198EAI/00.PRT	PANDUIT
DATASET FILE NAME 00198EAI-DC/00B.PRT	
UNLESS OTHERWISE SPECIFIED, DIMENSIONAL TOLERANCES ARE: IN (mm)	
MATERIAL: CABINET - STEEL WINDOW DOOR - TEMPERED SAFETY GLASS	
DRAWING NUMBER: 00198EAI-DC	
DRAWN BY TWV	DATE 9-27-18
CHK KZU	SCALE NONE
SHT 1 OF 2	
SIZE A	

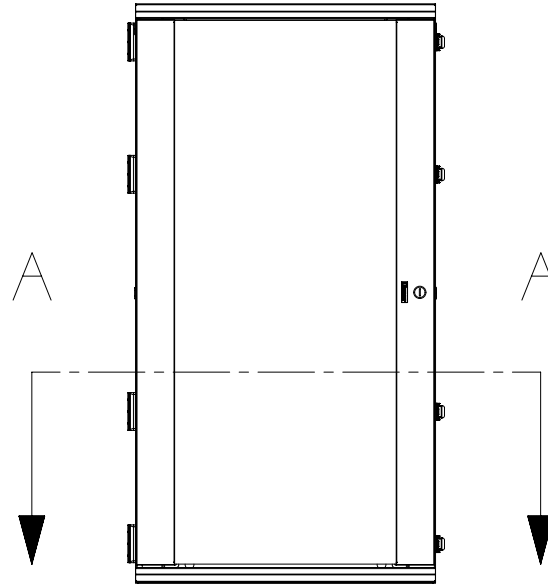
THIS COPY IS PROVIDED ON A RESTRICTED BASIS AND IS NOT TO BE USED IN ANY WAY DETRIMENTAL TO THE INTERESTS OF PANDUIT CORP.



SECTION A-A
EQUIPMENT RAIL
SPACING



CABLE MANAGEMENT DEPTH
4.1 DEFAULT
2.3 MINIMUM



REV	DATE	BY	CHK	APR	DESCRIPTION	ECN
00B	8-12-19	BJN	KZU	BETL	SEE SHEET ONE FOR REVISIONS	M09000JW
00A	9-27-18	TWV	KZU	JEFK	SEE SHEET ONE FOR REVISIONS	00198EAI-DC

TITLE PANZONE 26RU, 30" DEEP HINGED WALL MOUNT CABINET (PZWMC2630W) WINDOW DOOR CUSTOMER DRAWING					
ITEM REVISION NAME 00198EAI/00.PRT	PANDUIT				
DATASET FILE NAME 00198EAI-DC/00B.PRT					
UNLESS OTHERWISE SPECIFIED, DIMENSIONAL TOLERANCES ARE: IN (mm)					
MATERIAL: CABINET - STEEL WINDOW DOOR - TEMPERED SAFETY GLASS					
DRAWING NUMBER: 00198EAI-DC					
DRAWN BY TWV	DATE 9-27-18	CHK KZU	SCALE NONE	SHT 2 OF 2	SIZE A

2

1