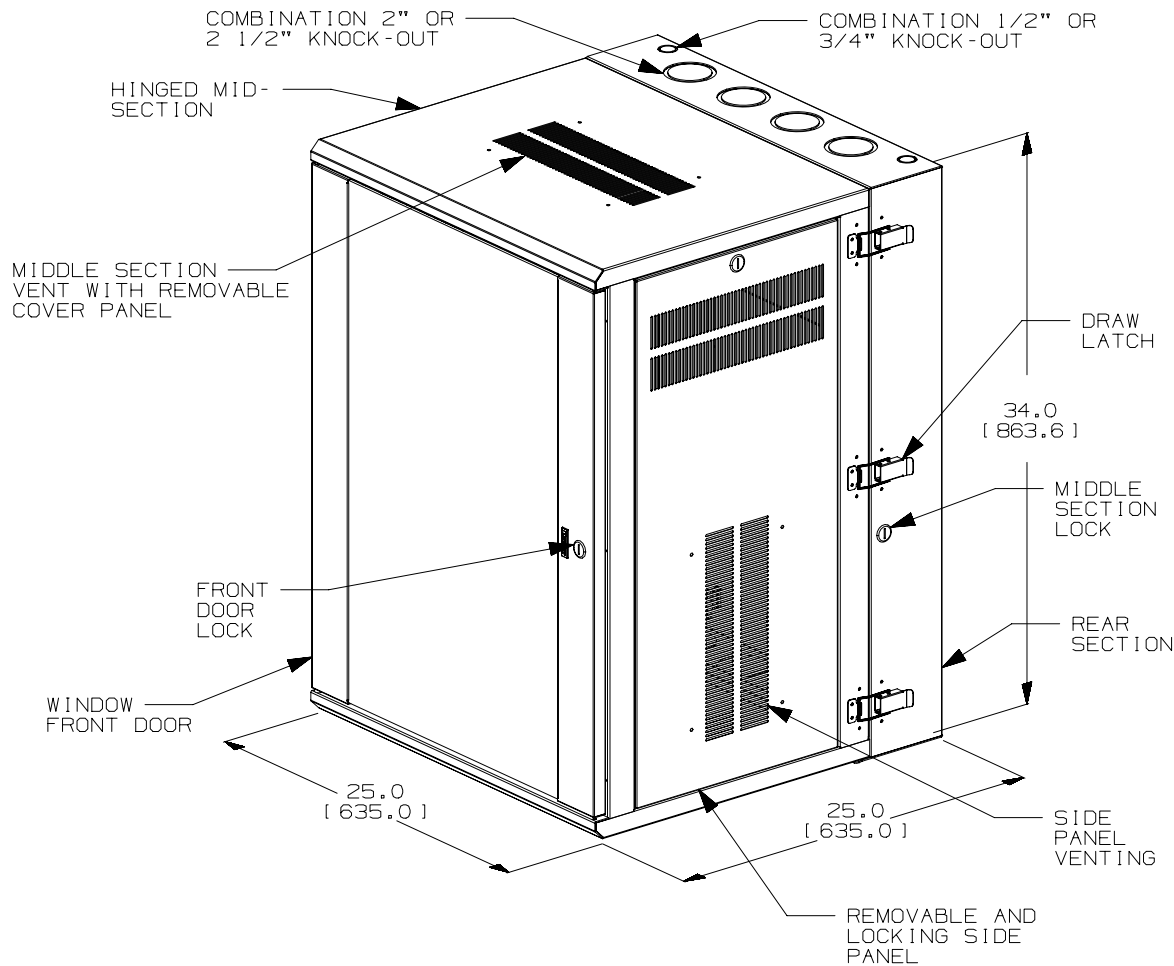


THIS COPY IS PROVIDED ON A RESTRICTED BASIS AND IS NOT TO BE USED IN ANY WAY DETRIMENTAL TO THE INTERESTS OF PANDUIT CORP.



PANDUIT PART NO.	WEIGHT
PZWMC18W	121 LBS/EACH 54.9 kg/EACH

NOTES:

- VISIT OUR ON-LINE CATALOG AT WWW.PANDUIT.COM FOR A LIST OF CURRENT PARTS APPLICABLE FOR USE WITH THIS PRODUCT.
- DIMENSIONS IN PARENTHESES ARE METRIC (mm).
- CAN BE USED WITH ANY 19" EIA STANDARD COMPONENT UP TO 20" DEEP WITH ROOM FOR PATCH CORDS OR 21.8" DEEP WITH THE RAILS IN FORWARD MOST POSITION.
- 18 AVAILBLE RACK SPACES.
- VERTICAL EQUIPMENT MOUNTING ANGLES ARE ADJUSTABLE FRONT TO REAR OF CABINET IN .9" INCREMENTS.
- LOAD CAPACITY, 300-LBS.
- INSTALLS IN EITHER A HINGED RIGHT OR HINGED LEFT APPLICATION.
- FRONT ACCESS THROUGH DOOR; REAR ACCESS THROUGH HINGED MID-SECTION.
- PARTS SUPPLIED: (12) - #12-24 SCREWS
(1) - ROLL OF TAK-TY
(3) - SETS OF KEYS
(1) - SPARE DOOR HINGE SPACER

REV	DATE	BY	CHK	APR	DESCRIPTION	ECN	DRAWN BY	DATE	CHK	SCALE	SHT 1 OF 2	SIZE
00A	9-27-18	TWV	KZU	JEFK	RELEASED TO PRODUCTION	00198EAC-DC	TWV	9-27-18	KZU	NONE	SHT 1 OF 2	A

TITLE
PANZONE 18RU HINGED WALL MOUNT CABINET (PZWMC18W) WINDOW DOOR
CUSTOMER DRAWING

ITEM REVISION NAME
00198EAC/00.PRT

DATASET FILE NAME
00198EAC_DC/00A.PRT

UNLESS OTHERWISE SPECIFIED, DIMENSIONAL TOLERANCES ARE: IN (mm)

MATERIAL:
CABINET - STEEL
WINDOW DOOR - TEMPERED SAFETY GLASS

DRAWING NUMBER:
00198EAC-DC

THIRD ANGLE PROJECTION

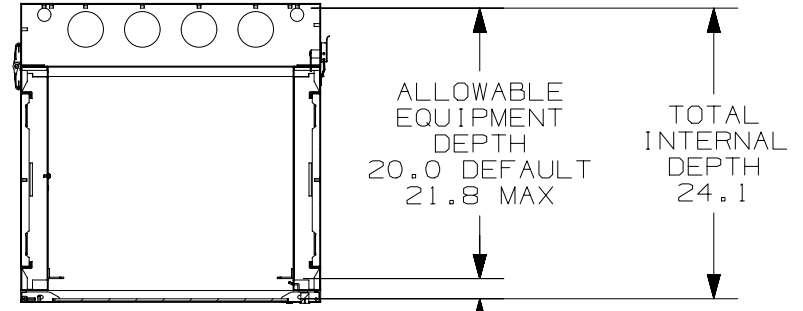
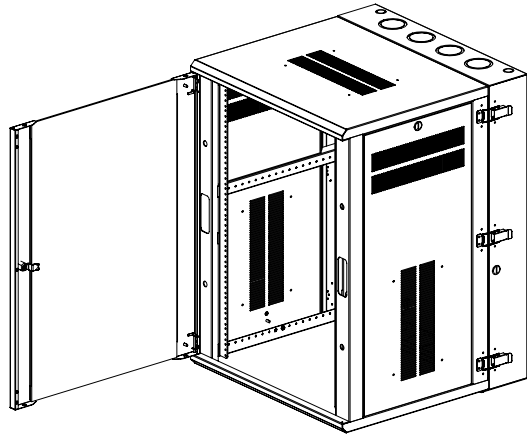
2

1

2

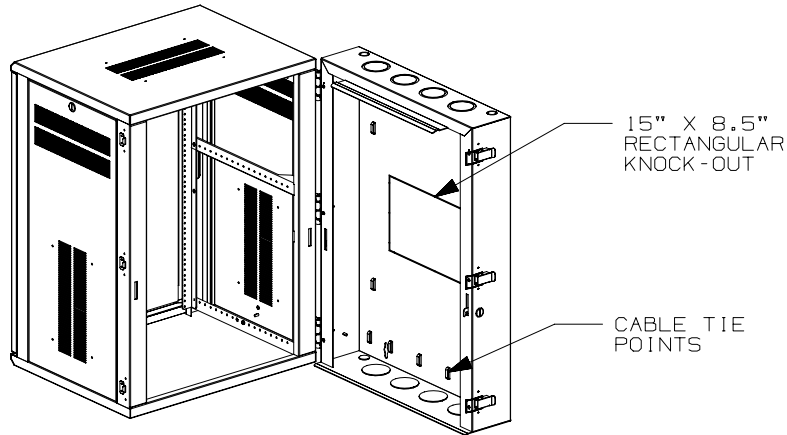
1

THIS COPY IS PROVIDED ON A RESTRICTED BASIS AND IS NOT TO BE USED IN ANY WAY DETRIMENTAL TO THE INTERESTS OF PANDUIT CORP.



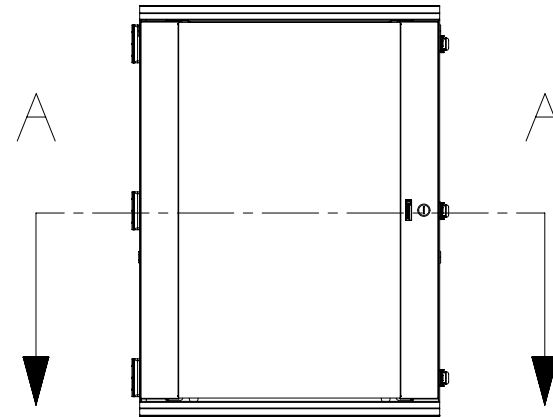
SECTION A-A
EQUIPMENT RAIL
SPACING

CABLE MANAGEMENT DEPTH
4.1 DEFAULT
2.3 MINIMUM



15" X 8.5"
RECTANGULAR
KNOCK-OUT

CABLE TIE
POINTS



FRONT VIEW

00A	9-27-18	TWV	KZU	JEFK	SEE SHEET ONE FOR REVISIONS				00198EAC-DC
REV	DATE	BY	CHK	APR	DESCRIPTION	ECN			

TITLE PANZONE 18RU HINGED WALL MOUNT CABINET (PZWMC18W) WINDOW DOOR CUSTOMER DRAWING									
ITEM REVISION NAME 00198EAC/00.PRT					PANDUIT				
DATASET FILE NAME 00198EAC_DC/00A.PRT									
UNLESS OTHERWISE SPECIFIED, DIMENSIONAL TOLERANCES ARE: IN (mm)					MATERIAL: CABINET - STEEL WINDOW DOOR - TEMPERED SAFETY GLASS				
					DRAWING NUMBER: 00198EAC-DC				
DRAWN BY TWV		DATE 9-27-18		CHK KZU		SCALE NONE		SHT 2 OF 2	
					THIRD ANGLE PROJECTION		A		

2

1