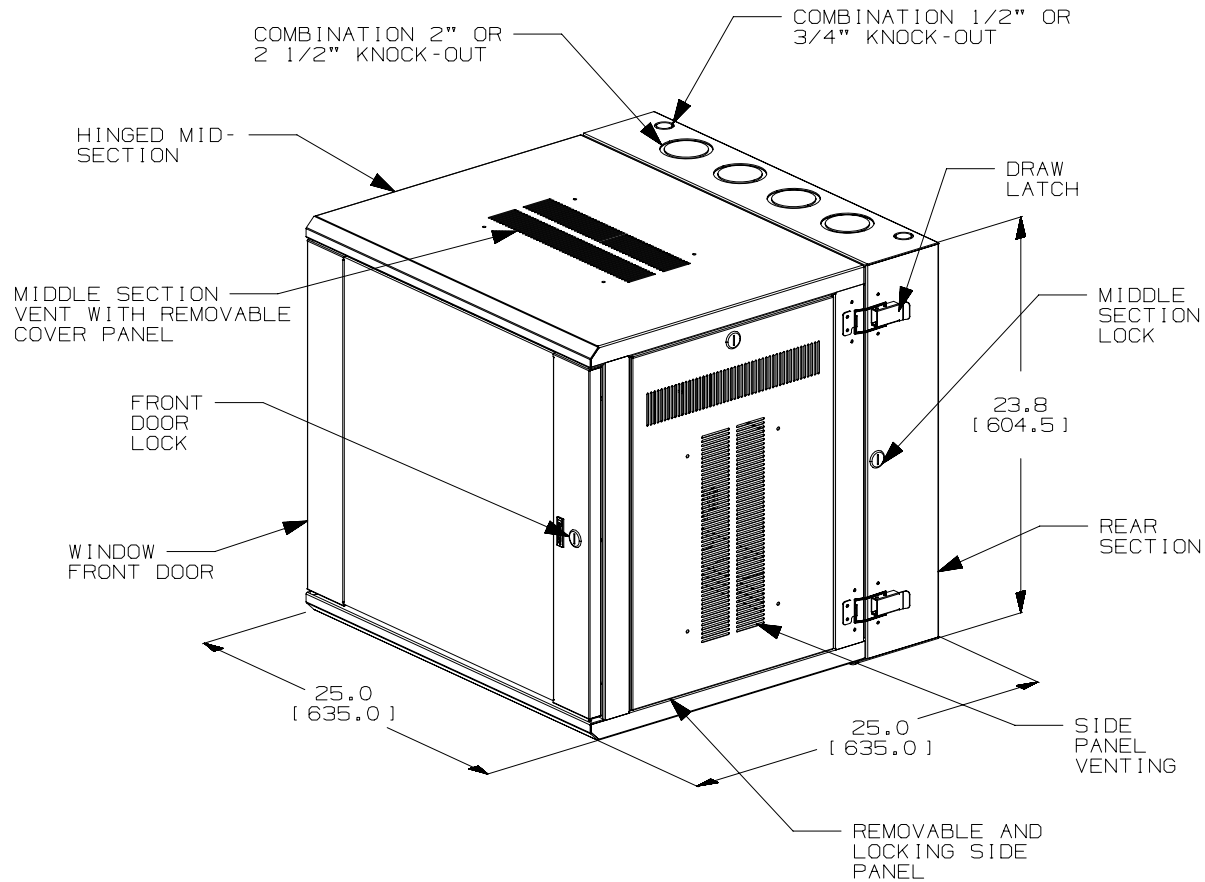


THIS COPY IS PROVIDED ON A RESTRICTED BASIS AND IS NOT TO BE USED IN ANY WAY DETRIMENTAL TO THE INTERESTS OF PANDUIT CORP.



PANDUIT PART NO.	WEIGHT
PZWMC12W	93 LBS/EACH 42.2 kg/EACH

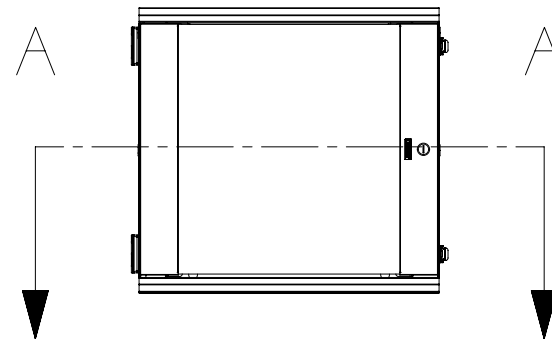
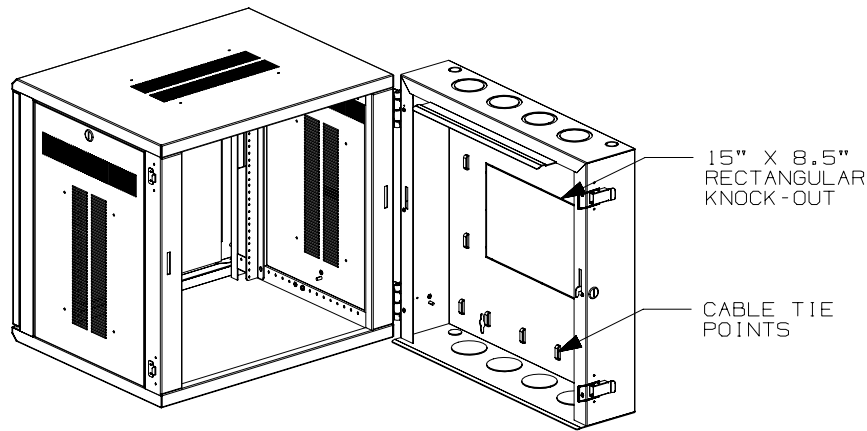
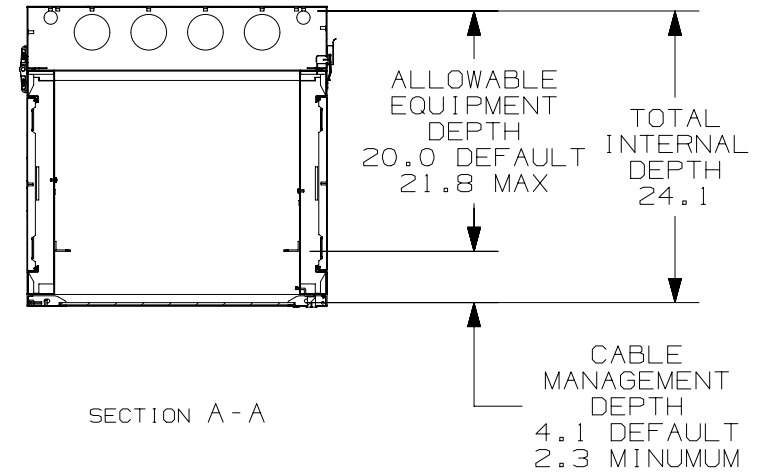
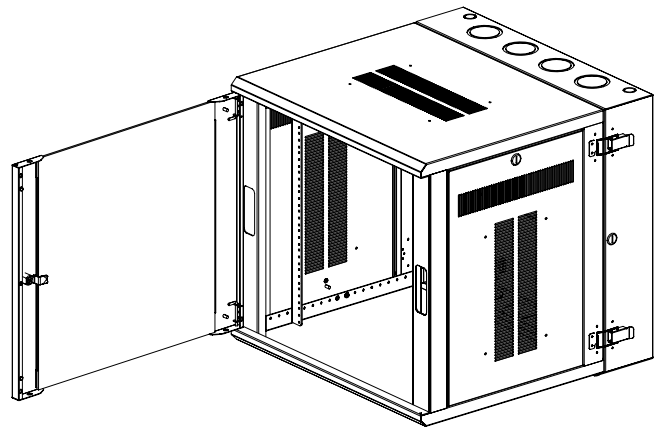
NOTES:

- VISIT OUR ON-LINE CATALOG AT WWW.PANDUIT.COM FOR A LIST OF CURRENT PARTS APPLICABLE FOR USE WITH THIS PRODUCT.
- DIMENSIONS IN PARENTHESES ARE METRIC (mm).
- CAN BE USED WITH ANY 19" EIA STANDARD COMPONENT UP TO 20" DEEP WITH ROOM FOR PATCH CORDS OR 21.8" DEEP WITH THE RAILS IN FORWARD MOST POSITION.
- 12 AVAILBLE RACK SPACES.
- VERTICAL EQUIPMENT MOUNTING ANGLES ARE ADJUSTABLE FRONT TO REAR OF CABINET IN .9" INCREMENTS.
- LOAD CAPACITY, 250-LBS.
- INSTALLS IN EITHER A HINGED RIGHT OR HINGED LEFT APPLICATION.
- FRONT ACCESS THROUGH DOOR; REAR ACCESS THROUGH HINGED MID-SECTION.
- PARTS SUPPLIED: (12) - #12-24 SCREWS
(1) - ROLL OF TAK-TY
(3) - SETS OF KEYS
(1) - SPARE DOOR HINGE SPACER

REV	DATE	BY	CHK	APR	DESCRIPTION	ECN
03A	9-26-18	TWV	KZU	JEFK	UPDATED ALLOWABLE EQUIPMENT DEPTH ON SHEET TWO ADDED WINDOW MATERIAL	00158LAA-DC
01B	8-2-17	TWV	KZU	JEFK	UPDATED WEIGHT; ADDED NOTE #10	00158LAA-DC
01A	5-24-17	TWV	KZU	JEFK	RELEASED TO PRODUCTION	00158LAA-DC

TITLE PANZONE 12RU HINGED WALL MOUNT CABINET (PZWMC12W) WINDOW DOOR CUSTOMER DRAWING					
ITEM REVISION NAME 00158LAA/03.PRT			PANDUIT		
DATASET FILE NAME 00158LAA_DC/03A.PRT					
UNLESS OTHERWISE SPECIFIED, DIMENSIONAL TOLERANCES ARE: IN (mm)			MATERIAL: CABINET - STEEL WINDOW DOOR - TEMPERED SAFETY GLASS		
THIRD ANGLE PROJECTION			DRAWING NUMBER: 00158LAA-DC		
DRAWN BY TWV	DATE 5-24-17	CHK KZU	SCALE NONE	SHT 1 OF 2	

THIS COPY IS PROVIDED ON A RESTRICTED BASIS AND IS NOT TO BE USED IN ANY WAY DETRIMENTAL TO THE INTERESTS OF PANDUIT CORP.



REV	DATE	BY	CHK	APR	DESCRIPTION	ECN
03A	9-26-18	TWV	KZU	JEFK	SEE SHEET ONE FOR REVISIONS	00158LAA-DC
01B	8-2-17	TWV	KZU	JEFK	SEE SHEET ONE FOR REVISIONS	00158LAA-DC
01A	5-24-17	TWV	KZU	JEFK	SEE SHEET ONE FOR REVISIONS	00158LAA-DC

TITLE PANZONE 12RU HINGED WALL MOUNT CABINET (PZWMC12W) WINDOW DOOR CUSTOMER DRAWING					
ITEM REVISION NAME 00158LAA/03.PRT			PANDUIT		
DATASET FILE NAME 00158LAA_DC/03A.PRT					
UNLESS OTHERWISE SPECIFIED, DIMENSIONAL TOLERANCES ARE: IN (mm)			MATERIAL: CABINET - STEEL WINDOW DOOR - TEMPERED SAFETY GLASS		
DRAWN BY TWV			DATE 5-24-17		DRAWING NUMBER: 00158LAA-DC
CHK KZU		SCALE NONE			
THIRD ANGLE PROJECTION			SHT 2 OF 2		
SIZE A					