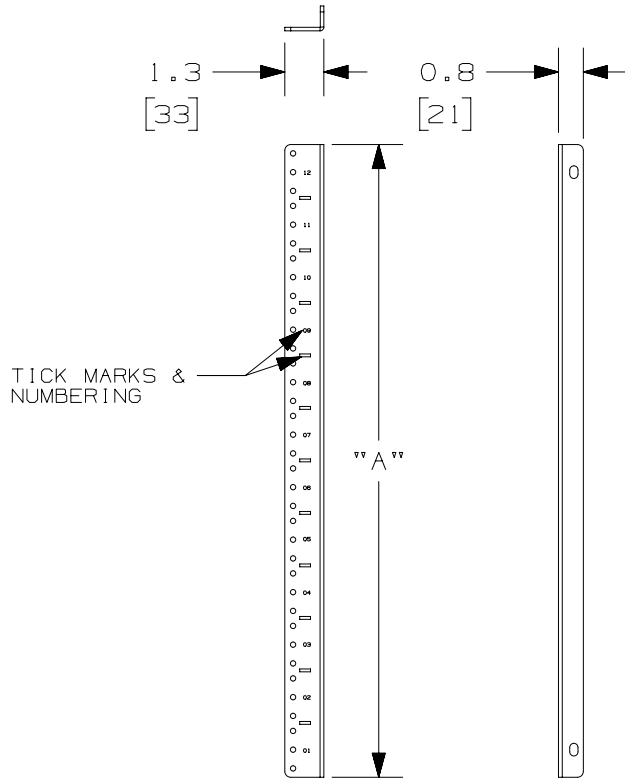


THIS COPY IS PROVIDED ON A RESTRICTED BASIS AND IS NOT TO BE USED IN ANY WAY DETRIMENTAL TO THE INTERESTS OF PANDUIT CORP.

PANDUIT PART #	DIM. "A"	VERTICAL MOUNT RAILS	M6 SCREWS	EXTERNAL TOOTH WASHERS	WEIGHT
PZWMC12RR	21.1" [ 536 ]	2	4	4	2.7LBS [ 1.22Kgs ]/PAIR
PZWMC18RR	29.8" [ 756 ]	2	6	6	3.9LBS [ 1.77Kgs ]/PAIR
PZWMC26RR	45.6" [ 1158 ]	2	8	8	5.7LBS [ 2.59Kgs ]/PAIR

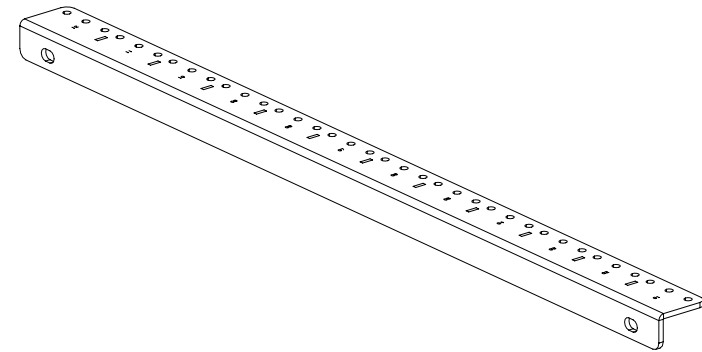
NOTES:

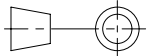
- VISIT OUR ON-LINE CATALOG AT [WWW.PANDUIT.COM](http://WWW.PANDUIT.COM) FOR A LIST OF CURRENT PARTS APPLICABLE FOR USE WITH THIS PRODUCT.
- COMPONENTS (SEE TABLE FOR QUANTITIES):  
 VERTICAL MOUNTING RAILS  
 M6 THREAD FORMING SCREWS  
 EXTERNAL TOOTH LOCKWASHERS
- DIMENSIONS IN PARENTHESES ARE METRIC (mm).
- RACK SPACES DEPENDENT ON PART NUMBER. SEE TABLE.
- TICK MARKS AND NUMBERS ARE PROVIDED FOR RACK SPACE IDENTIFICATION.



TICK MARKS & NUMBERING

PZWMC12RR SHOWN FOR EXAMPLE:  
(SEE TABLE FOR OTHER PART NUMBERS)



TITLE						
<b>VERTICAL MOUNTING REAR EQUIPMENT RAILS FOR WALL MOUNT CABINETS</b>						
CUSTOMER DRAWING						
ITEM REVISION NAME					<b>PANDUIT</b>	
00158LAF/02						
DATASET FILE NAME						
00158LAF_DC/02A					MATERIAL:	
UNLESS OTHERWISE SPECIFIED, DIMENSIONAL TOLERANCES ARE: IN ( mm )					STEEL	
 THIRD ANGLE PROJECTION					DRAWING NUMBER:	
					00158LAF - DC	
DRAWN BY	DATE	CHK	SCALE	SHT 1 OF 1		
TWV	7-31-17	KZU	NONE	A		

REV	DATE	BY	CHK	APR	DESCRIPTION	ECN
02A	01-18-19	MDJR	KZU	MINO	ADDED DOCUMENTATION FOR 18" AND 26"	00158LAF-DC
01A	7-31-17	TWV	KZU	JEFK	RELEASED TO PRODUCTION	00158LAF-DC