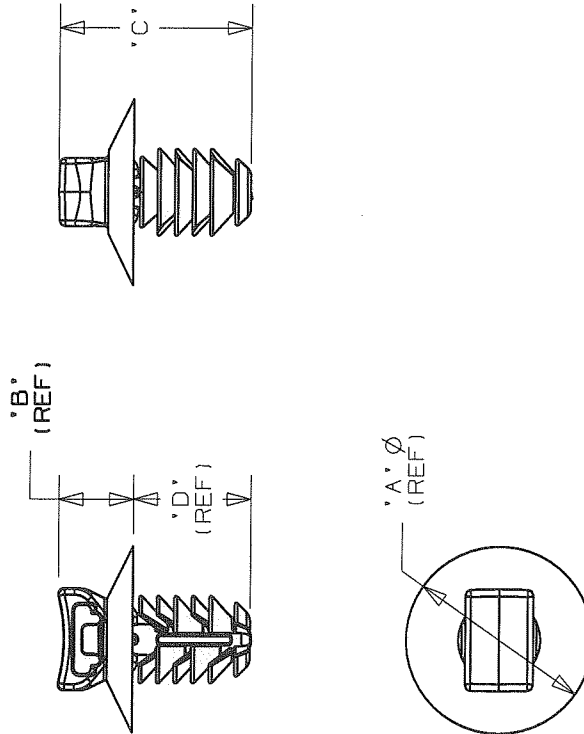


THIS COPY IS PROVIDED ON A RESTRICTED BASIS AND IS NOT TO BE USED IN ANY WAY DETRIMENTAL TO THE INTERESTS OF PANDUIT CORPORATION.

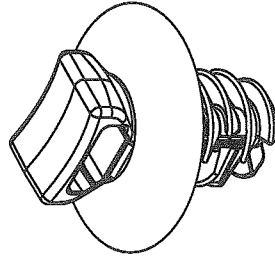
PANDUIT PART NUMBER	USED WITH CABLE TIES	DIMENSIONS			MATERIAL	WEIGHT grams/100pcs
		'A' (REF)	'B' (REF)	'C'		
PUM-071--30	M, I, S	16.5	6.6	16.9	HEAT STABILIZED NYLON 6/6 BLACK	44.35

NOTES:

- SEE CURRENT PRICE SHEET FOR PART NUMBER SUFFIX DESIGNATION FOR PACKAGE SIZE, AND COLOR.
- (*) DIMENSIONAL VARIANCE IS POSSIBLE DUE TO MOLDING PROCESS RELATED SINK MARKS.
- APPLICATION SPECIFICATION:
HOLE DIAMETER: 6.3 - 7.1 mm
PANEL THICKNESS: 0.8 - 7.0 mm



SCALE 2:1



CAD FILENAME/LAYERS

G03151BB_DC_GB0239MJ/10B

PANDUIT

TINLEY PARK, ILLINOIS

PUM-071--30
PUSH UMBRELLA MOUNT 071

UNLESS OTHERWISE SPECIFIED, ALL DIMENSIONS ARE METRIC TOLERANCE: ±0.5MM

SCALE	1:1	UNLESS NOTED
DRAWING NO.	GB0239MJ	
DWG	A	
SIZE		

REV	DATE	BY	CHK	DESCRIPTION	ECN	R	R	CUST	SUP
10B	9/26/08	PSG		ADDED, REMOVED, AND RENAMED DIMENSIONS	GB0239MJ		10B	KN	
10A	8/22/08	PSG		REMOVED RIB FROM HEAD, UPDATED FILE NAME AND CHANGED REV TO TC REV STYLE	GB0239MJ		10A		
R	8-11-06	TMSA		INITIAL RELEASE	GB0239MJ		R		

SEE TABLE

SCALE 1:1 UNLESS NOTED
DRAWING NO. GB0239MJ
DWG A
SIZE