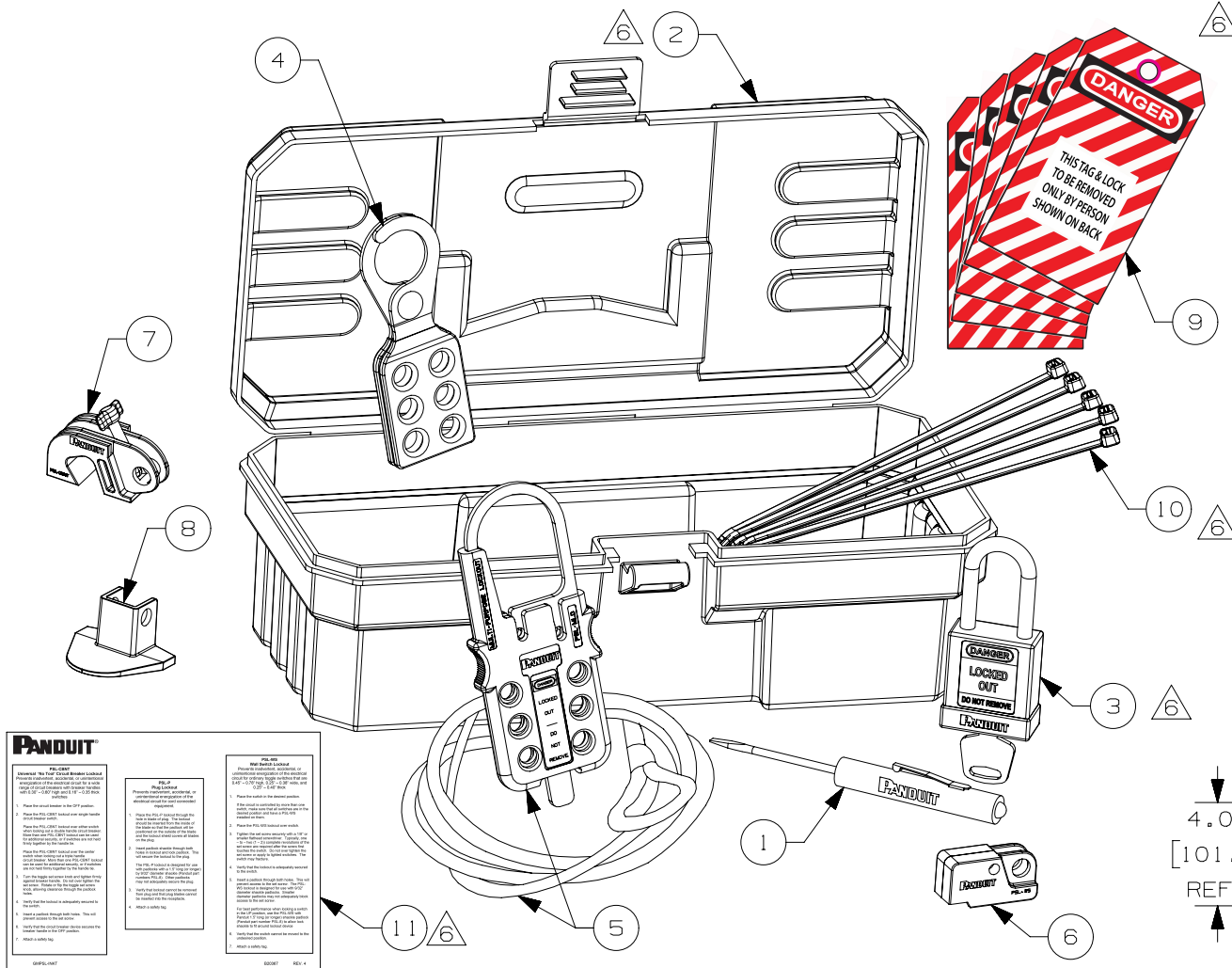
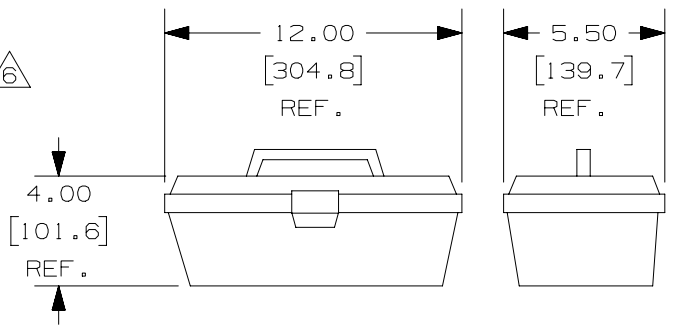


THIS COPY IS PROVIDED ON A RESTRICTED BASIS AND IS NOT TO BE USED IN ANY WAY DETRIMENTAL TO THE INTERESTS OF PANDUIT CORP.



ITEM NO.	QTY.	PART NO.	DESCRIPTION
1	1	GMSDCOM	PANDUIT SCREWDRIVER
2	1	PSL-KT	LOCKOUT KIT CARRYING CASE
3	6	PSL-8	PLASTIC BODY PADLOCK, RED
4	1	PSL-1A	LOCKOUT HASP - 1.0 [25.4 mm] JAW DIAMETER
5	1	PSL-MLD	MULTIPLE LOCKOUT DEVICE
6	3	PSL-WS	WALL SWITCH LOCKOUTS
7	3	PSL-CBNT	NO TOOL CIRCUIT BREAKER LOCKOUT
8	3	PSL-P	PLUG LOCKOUTS
9	3 pkg.	PVT-98	Plastic Tag, "Danger. This Tag & Lock..", 5 tags & ties/pk., RB/WH (stripped)
10	15	PLT2S	NYLON CABLE TIES
11	1	PSL-INKT	INSTRUCTION SHEET

PSL-KT  
PLASTIC CARRYING CASE



**PANDUIT**

**PSL-KT**  
Plastic Tag & Lockout Kit Contractor

**PSL-8**  
Plastic Body Padlock, Red

**PSL-1A**  
Lockout Hasp - 1.0 [25.4 mm] Jaw Diameter

**PSL-MLD**  
Multiple Lockout Device

**PSL-WS**  
Wall Switch Lockouts

**PSL-CBNT**  
No Tool Circuit Breaker Lockout

**PSL-P**  
Plug Lockouts

**PVT-98**  
Plastic Tag & Lockout Kit Contractor

**PLT2S**  
Nylon Cable Ties

**PSL-INKT**  
Instruction Sheet

REV	DATE	BY	CHK	APR	DESCRIPTION	ECN
6	3/14/17	RVU	SEWH	JHAC	UPDATE ISO VIEW WITH GMPSL-KT. UPDATE TABLE. ADD PSL-INKT. REMOVE GMPSL-INMLD, & GMPSL-INI.	GAECN04027
5	8/29/16	RVU	SEWH	JHAC	REPLACE WITH PSL-CBNTWIP TO PSL-CBNT WITH TOOL. REMOVE PANDUIT LOGO ON HASP.	GAECN03607
4	6/18/14	RVU	MJPF	MSAD	4.00 WAS 3.5, 12.00 WAS 11.0, AND 5.50 WAS 5.0. UPDATE CASE DESIGN.	GAECN02085
3	11/17/09	RVU			PSL-8 WAS PSL-3RED-LS. ADD LEADERS 12 AND 13 FOR GMPSL-INMLD, AND PSL-IN1. REMOVED PSL-PL1REDY AND PSL-3RED.	5905
2	2/04/08	JHAC			REMOVED GSLLOCKOUT. CHANGED PSL-CB TO PSL-CBNT, AND ADDED PSL-PL1REDY.	5279
1	12/10/07	JHAC			PSL-3RED-LS WAS PSL-5RED-LS AND PSL-3RED WAS PSL-5RED.	5230
0	5/11/11	RVU			DRAWING RELEASE.	4258

TITLE

**PSL-KT-CONA**  
**LOCKOUT KIT CONTRACTOR**  
CUSTOMER DRAWING

ITEM REVISION NAME  
100619CW/09

DATASET FILE NAME  
100619CW\_DC\_C10386/09G

UNLESS OTHERWISE SPECIFIED,  
DIMENSIONAL TOLERANCES ARE: IN (mm)

.X ±  
.XX ±

.XXX ±  
ANGLES ±

THIRD ANGLE  
PROJECTION

MATERIAL:  
N/A

DRAWING NUMBER:  
C10386

DRAWN BY: RVU DATE: 10/18/05 CHK: MSAD SCALE: NTS SHT 1 OF 1 SIZE: A