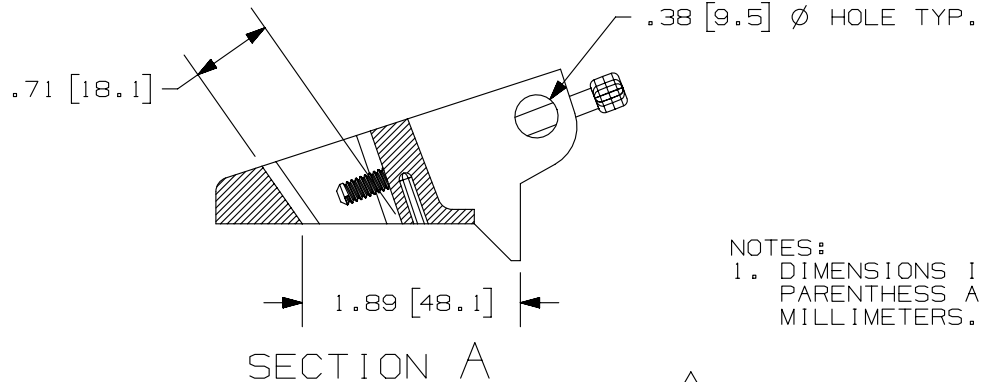
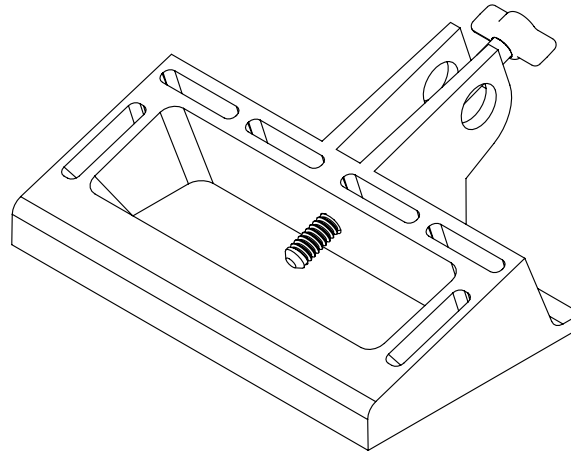
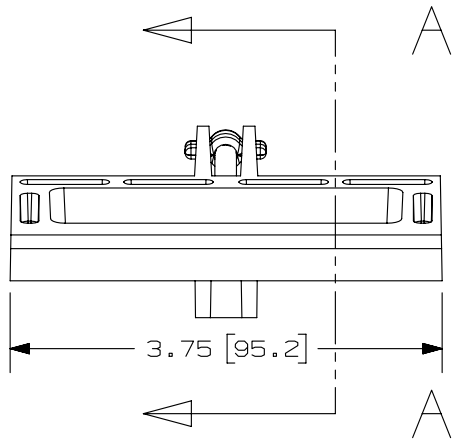
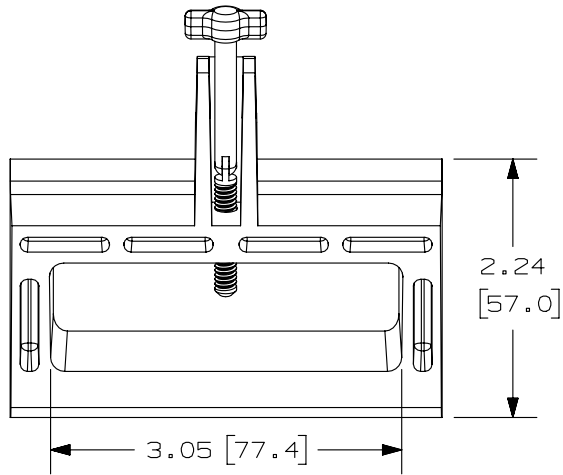


THIS COPY IS PROVIDED ON A RESTRICTED BASIS AND IS NOT TO BE USED IN ANY WAY DETRIMENTAL TO THE INTERESTS OF PANDUIT CORP.



PART NUMBER	PACKAGE QTY.
PSL - CBL	1
PSL - CBL - V	5



NOTES:  
1. DIMENSIONS IN PARENTHESIS ARE IN MILLIMETERS.

REV	DATE	BY	CHK	APR	DESCRIPTION	ECN
4	8/15/14	RVU	MJPF	MSAD	REMOVE PN, PSL-CBLG.	GAECN02252
3	6/17/14	RVU	MJPF	MSAD	ADD TOLERANCES IN TITLE.	GAECN02083
2	5/12/14	RVU	MJPF	MSAD	ADD NEW PN, PSL-CBL-V AND PSL-CBLG. CREATED NEW FINISHED GOOD PART NUMBER TABLE.	GAECN01967
1	2/16/12	RVU			UPDATE PSL-CBL TO REPLACE OLD SCREW TO NEW TOGGLE SCREW.	6711
R	10/8/03	RVU			DRAWING RELEASE.	2965

TITLE						
PSL-CBL, & PSL-CBL-V LARGE HANDLE CIRCUIT BREAKER LOCKOUT DEVICE CONTROL DRAWING						
ITEM REVISION NAME					100295ER/05	
DATASET FILE NAME					100295ER_DC_C10085/05G	
UNLESS OTHERWISE SPECIFIED, DIMENSIONAL TOLERANCES ARE: IN [mm]					<b>PANDUIT</b> MATERIAL: RED NYLON DRAWING NUMBER: C10085	
.x ± .1 [ 2.54 ]		.xxx ± .03 [ .762 ]		THIRD ANGLE PROJECTION		
.xx ± .05 [ 1.27 ]		ANGLES ± 5°		DRAWN BY		
RVU		DATE		CHK		
10/8/03		MSAD		SCALE		
		NTS		SIZE		
		SHT 1 OF 1		A		