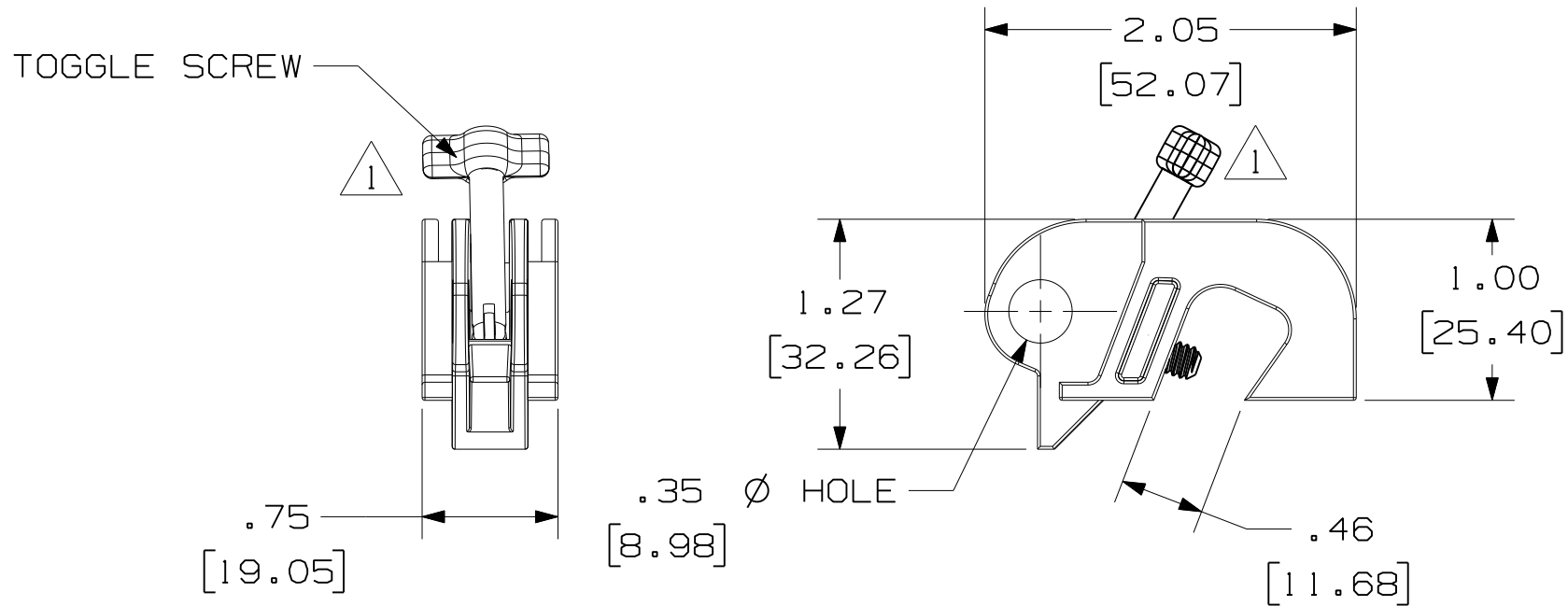


THIS COPY IS PROVIDED ON A RESTRICTED BASIS AND IS NOT TO BE USED IN ANY WAY DETRIMENTAL TO THE INTERESTS OF PANDUIT CORP.



NOTES:
1. MILLIMETERS ARE SHOWN IN BRACKETS.

CAD FILENAME/LAYERS 10061900-DC-C10018/01B

PANDUIT CORP. TINLEY PARK, ILLINOIS

PSL-CBILNT LOCKOUT

UNLESS OTHERWISE SPECIFIED, DIMENSIONAL TOLERANCES ARE:
(.X) ± (.XXX) ±
(.XX) ±.010 | ANGLES ±

UNLESS OTHERWISE SPECIFIED, ALL DIMENSIONS ARE GIVEN IN INCHES, THIRD ANGLE PROJECTION.

| REV | DATE | BY | CHK | DESCRIPTION | ECN | R | CUST | SUP |
|-----|----------|-----|-----|--|------|---|------|-----|
| I | 2/15/12 | RVU | | UPDATE PSL-CBILNT TO REPLACE OLD SCREW THE NEW TOGGLE SCREW. | 6711 | R | | |
| O | 10/15/10 | RVU | | UPDATE MATERIAL. | 6177 | R | | |
| R | 3-28-03 | RVU | | DRAWING RELEASE | 3224 | R | | |

DRAWN BY RVU
DATE 3-28-03
CHK'D

MAT'L:
BODY - NYLON
SCREW - STAINLESS STEEL

SCALE NTS
DRAWING NO. C10018
DWG SIZE A