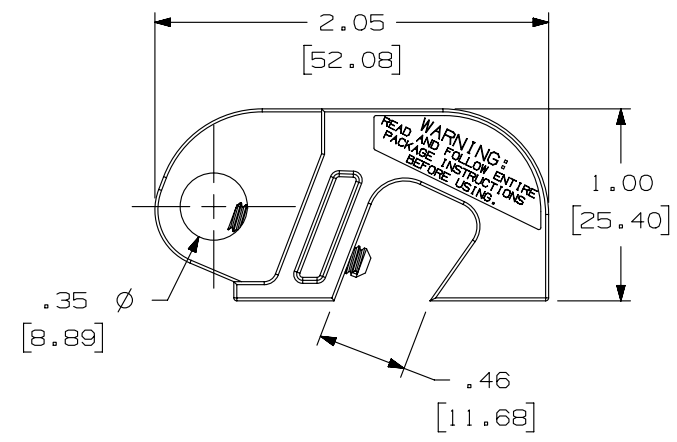
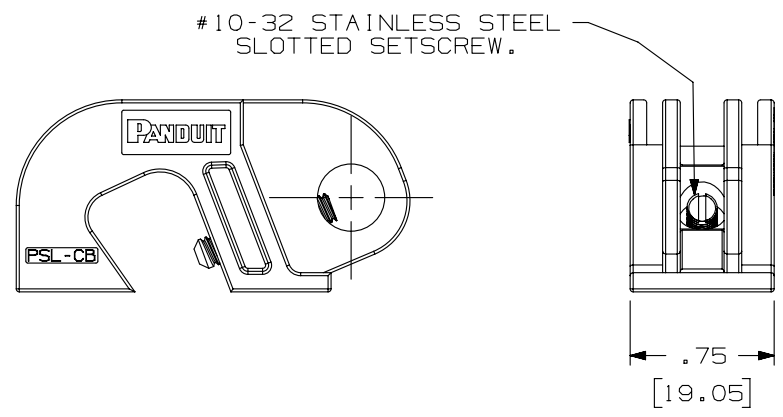


THIS COPY IS PROVIDED ON A RESTRICTED BASIS AND IS NOT TO BE USED IN ANY WAY DETRIMENTAL TO THE INTERESTS OF PANDUIT CORP.

PART NUMBER	PACKAGE QTY.
PSL - CB	1
PSL - CB - V	5

NOTES:
 1. MILLIMETERS ARE SHOWN IN BRACKETS.



REV	DATE	BY	CHK	APR	DESCRIPTION	ECN
3	11/5/14	RVU	MJPF	MSAD	REMOVE PSL-CBG FROM TITLE.	GAECN02362
2	8/15/14	RVU	MJPF	MSAD	REMOVE PN, PSL-CBG.	GAECN02253
1	5/8/14	RVU	MJPF	MSAD	CREATED NEW FINISHED GOOD PART NUMBER TABLE AND TITLE. MOVED PART NUMBER FROM TOP RIGHT TO LOWER LEFT.	GAECN01128
R	11/25/03	RVU		DWY	DRAWING RELEASE.	3472

TITLE		PSL-CB, PSL-CB-V UNIVERSAL CIRCUIT BREAKER LOCKOUT CUSTOMER DRAWING		
ITEM REVISION NAME		100550BA/04		
DATASET FILE NAME		100550BA_DC_C10158/04D		
UNLESS OTHERWISE SPECIFIED, DIMENSIONAL TOLERANCES ARE: IN (mm)		MATERIAL:		
.x ± .1 [2.54] .xx ± .05 [1.27]		RED NYLON		
.xxx ± .025 [.635] ANGLES ± 5 °		DRAWING NUMBER:		
THIRD ANGLE PROJECTION		C10158		
DRAWN BY	DATE	CHK	SCALE	SIZE
RVU	11/25/03	DWY	NTS	A
SHT 1 OF 1				

D10100DA/16