

THIS COPY IS PROVIDED ON A RESTRICTED BASIS AND IS NOT TO BE USED IN ANY WAY DETRIMENTAL TO THE INTERESTS OF PANDUIT CORP.

NOTES:

1. SEE CURRENT CATALOG TO INDICATE PACKAGE QUANTITY.
2. SEE CATALOG FOR COMPLETE LIST OF PARTS APPLICABLE FOR USE WITH THIS PART.
3. PRODUCT DESCRIPTION:
 - A. 1 LANE, 10 Gbps/LANE
 - B. STANDARD SFP+ CONNECTOR
 - C. CL2 RATED JACKET
 - D. JACKET COLOR: BLUE (BU), WHITE (WH), BLACK (BL), RED (RD)
4. MATES WITH SFP+ SFF-8431 INTERFACE
5. CABLE LABEL CONTAINS PRODUCT DESCRIPTION, PART NUMBER, LENGTH AND WIRE GAUGE, AND MANUFACTURING SERIAL NUMBER.

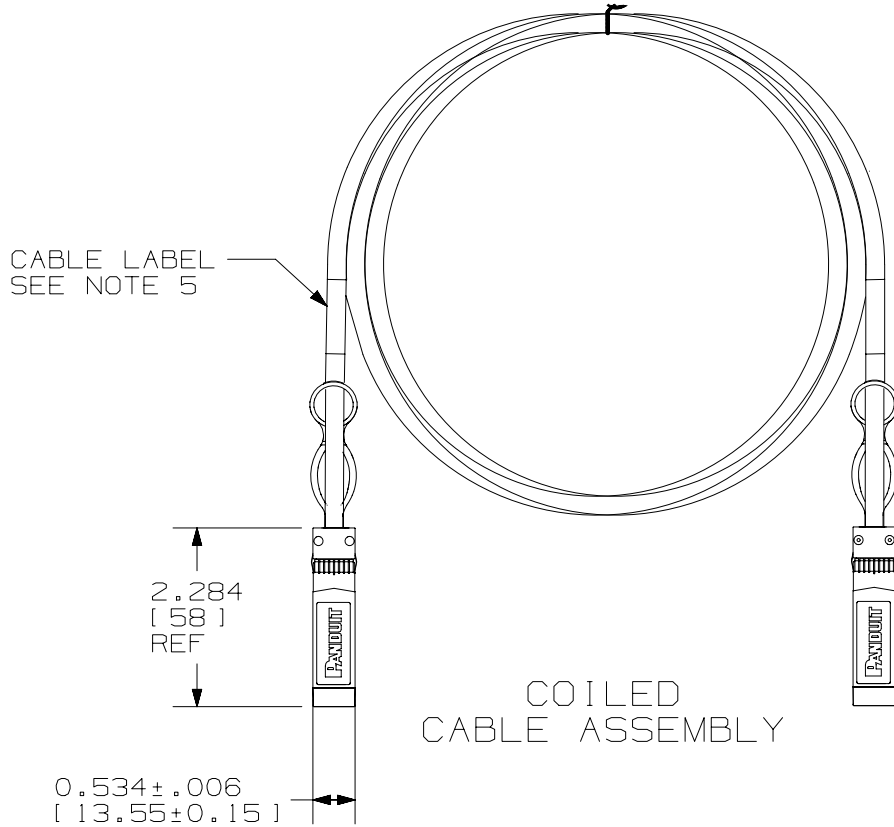
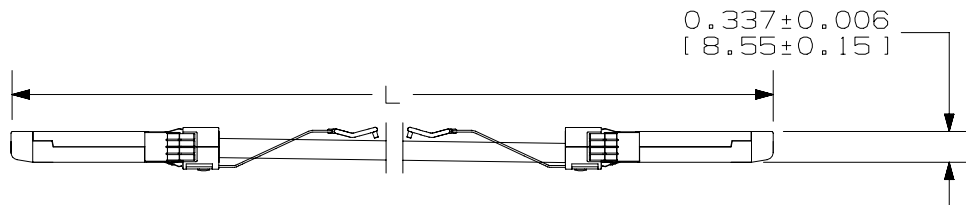


TABLE 1
CABLE ASSEMBLY

PANDUIT P/N	LENGTH (mm)	xx AWG
PSF1PZA1M**	1000±10	30
PSF1PZA1.5M**	1500±15	30
PSF1PZA2M**	2000±20	30
PSF1PZA2.5M**	2500±25	30
PSF1PZA3M**	3000±30	30
PSF1PZC3.5M**	3500±35	26
PSF1PZC4M**	4000±40	26
PSF1PZC5M**	5000±50	26

**=SEE NOTE 3.D



PART NUMBER	SEE TABLE 1	PRODUCT SPEC/PKG SPEC	N/A
I.I. NUMBER	N/A	WORK INSTRUCTION	N/A

TITLE
SFP+ PASSIVE CABLE ASSEMBLY
CUSTOMER DRAWING

ITEM REVISION NAME
00275EBB/00

DATASET FILE NAME
00275EBB_DC/00A



UNLESS OTHERWISE SPECIFIED, DIMENSIONAL TOLERANCES ARE: IN (mm)
.x ± .1 [2.54] .xxx ± .005 [0.127]
.xx ± .01 [0.25] ANGLES ± 5°

MATERIAL:

DRAWING NUMBER:
00275EBB-DC

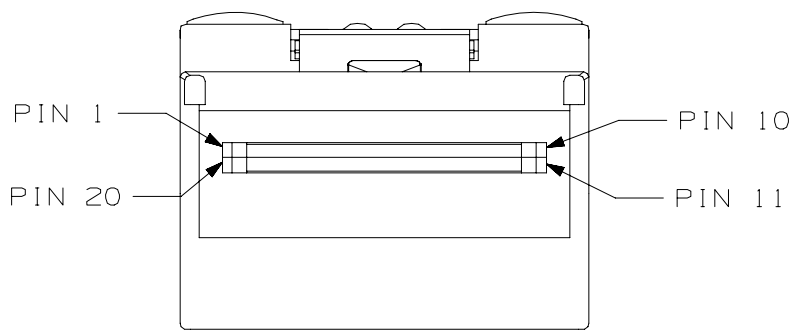
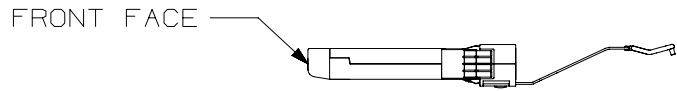


DRAWN BY	DATE	CHK	SCALE	SHT 1 OF 2	SIZE
BJN	6-17-20	MATO	NONE		A

REV	DATE	BY	CHK	APR	DESCRIPTION	ECN
00A	6-17-20	BJN	MATO	DDH	RELEASED TO PRODUCTION REVISED & REDRAWN PREVIOUS HISTORY REMVD FOR CLARITY	00275EBB-DC

D10100DA/14

THIS COPY IS PROVIDED ON A RESTRICTED BASIS AND IS NOT TO BE USED IN ANY WAY DETRIMENTAL TO THE INTERESTS OF PANDUIT CORP.



FRONT FACE
SEE TABLE 2

TABLE 2
PINOUT DIAGRAM

BOTTOM SIDE		TOP SIDE	
POS #	SIGNAL	POS #	SIGNAL
1	VEET*	11	VEER*
2	TX_FAULT**	12	RD-
3	TX_DISABLE**	13	RD+
4	SDA	14	VEER*
5	SCL	15	VCCR
6	MOD_ABS	16	VCCT
7	RS0	17	VEET*
8	RX_LOS**	18	TD+
9	RS1	19	TD-
10	VEER*	20	VEET*

* VEE PINS CONNECT FIRST UPON PLUGGING IN.
 ** TX_FAULT, TX_DISABLE, AND RX_LOS ARE DEFINED IN SFF-8431, BUT ARE NOT USED IN PASSIVE DIRECT ATTACH COPPER CABLES.

PART NUMBER	SEE TABLE 1	PRODUCT SPEC/PKG SPEC	N/A
I.I. NUMBER	N/A	WORK INSTRUCTION	N/A

TITLE
SFP+ PASSIVE CABLE ASSEMBLY
 CUSTOMER DRAWING

ITEM REVISION NAME
00275EBB/00

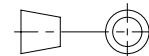
DATASET FILE NAME
00275EBB_DC/00A



UNLESS OTHERWISE SPECIFIED, DIMENSIONAL TOLERANCES ARE: IN (mm)
 .x ± .1 (2.54) .xxx ± .005 (.127)
 .xx ± .01 (.25) ANGLES ± 5 °

MATERIAL:

DRAWING NUMBER:
00275EBB-DC



THIRD ANGLE
PROJECTION

DRAWN BY	DATE	CHK	SCALE	SHT 2 OF 2	SIZE
BJN	6-17-20	MATO	NONE		A

REV	DATE	BY	CHK	APR	DESCRIPTION	ECN
00A	6-17-20	BJN	MATO	DDH	SEE SHEET 1 FOR REVISION HISTORY	03075-18

D10100DA/14

2

1

2

1