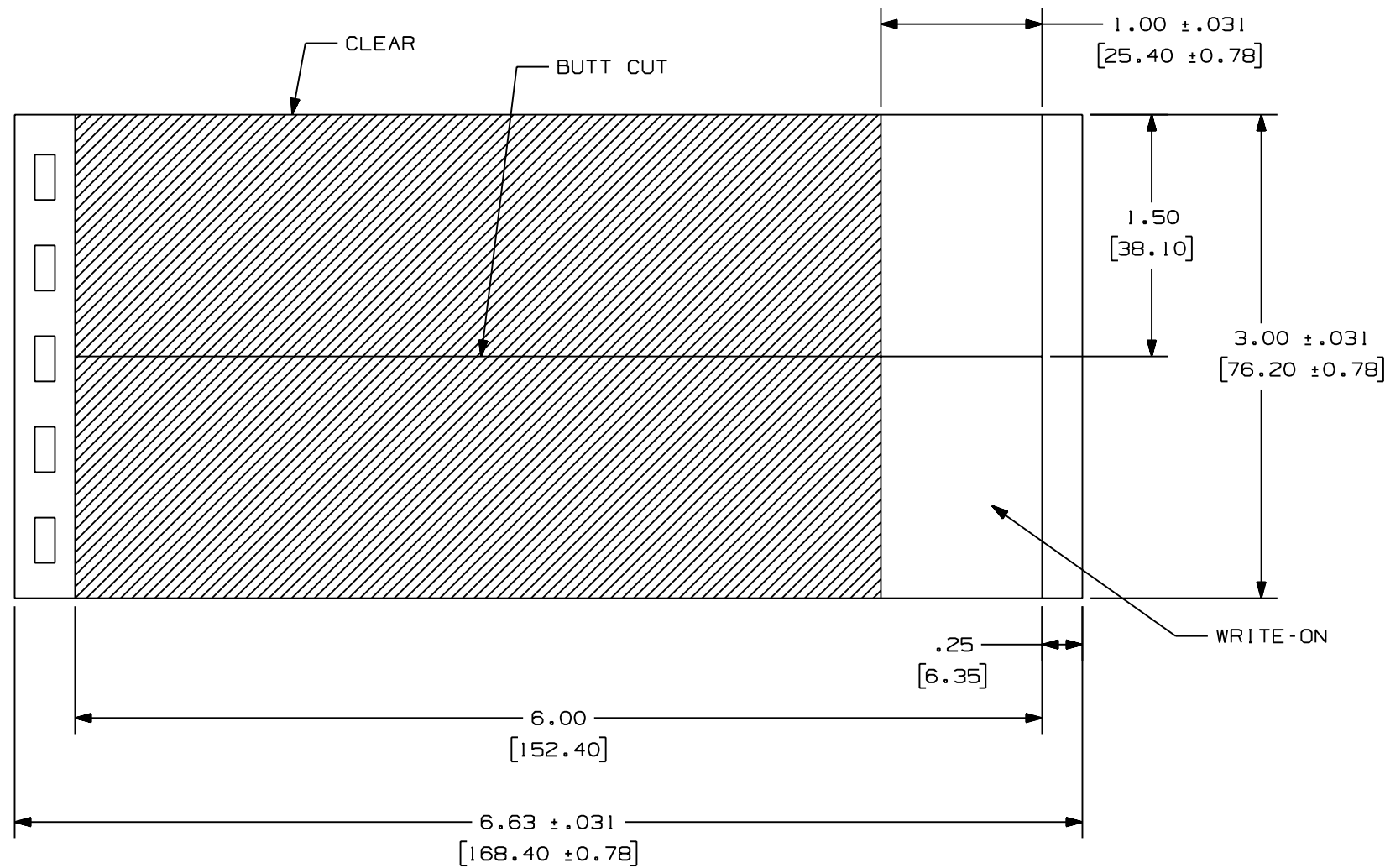


| TABLE 1  |          |               |                  |                 |
|----------|----------|---------------|------------------|-----------------|
| PART NO. | MATERIAL | WRITE-ON AREA | LABELS PER SHEET | SHEETS PER BOOK |
| PSCB-16  | GMV3     | WHITE         | 2                | 10              |
| PSCB-16Y | GMV3     | WHITE         | 2                | 10              |

\* COMBINATION PKG:  
2 BLACK, 2 BLUE, 2 GREEN, 2 RED, 2 YELLOW



NOTES:  
1. SEE MFG. DWG. NO. A60324.  
2. DIMENSION IN [ ] ARE IN MILLIMETERS.

CAD FILENAME/LAYERS 100619CL\_C10368\_PSCB\_00.prt

**PANDUIT** CORP TINLEY PARK, ILLINOIS  
CUSTOMER DRAWING  
PSCB-16, PSCB-16Y  
1.50" X 6.00" LABEL

UNLESS OTHERWISE SPECIFIED,  
DIMENSIONAL TOLERANCES ARE:  
(.X) ± .031 (.XXX) ± .010  
(.XX) ± .015 ANGLES ±

UNLESS OTHERWISE SPECIFIED,  
ALL DIMENSIONS ARE GIVEN IN  
INCHES, THIRD ANGLE PROJECTION

| REV | DATE    | BY  | CHK | DESCRIPTION            | ECN  | R | CUST | SUP |
|-----|---------|-----|-----|------------------------|------|---|------|-----|
| O   | 6-7-06  | RVU |     | RELEASE TO PRODUCTION. | 4542 | R |      |     |
| A   | 8-18-05 | RVU |     | ENGINEERING RELEASE    | 0000 | R |      |     |

DRAWN BY  
MSA  
DATE  
8-18-05  
CHK'D

MAT'L:  
SEE TABLE 1

SCALE  
NTS  
DRAWING NO.  
C10368  
DWG  
B  
SIZE