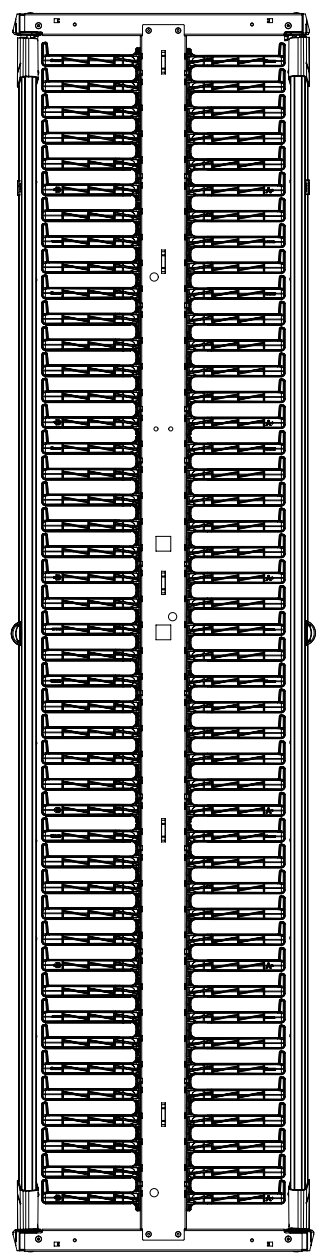
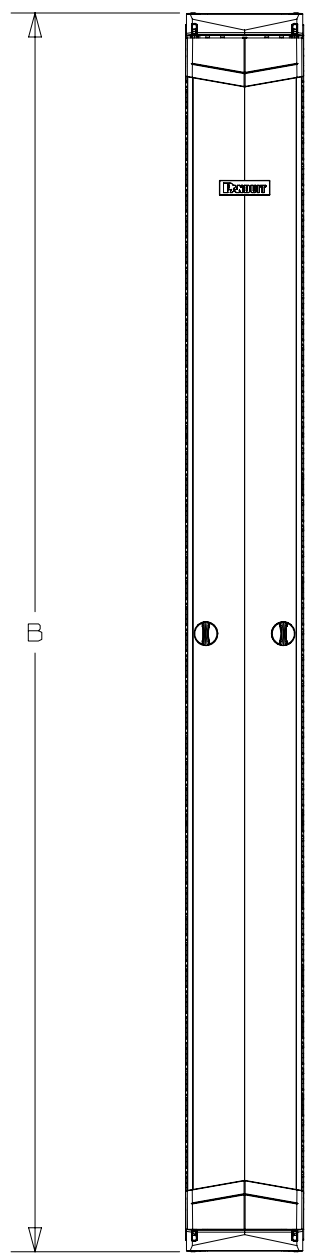


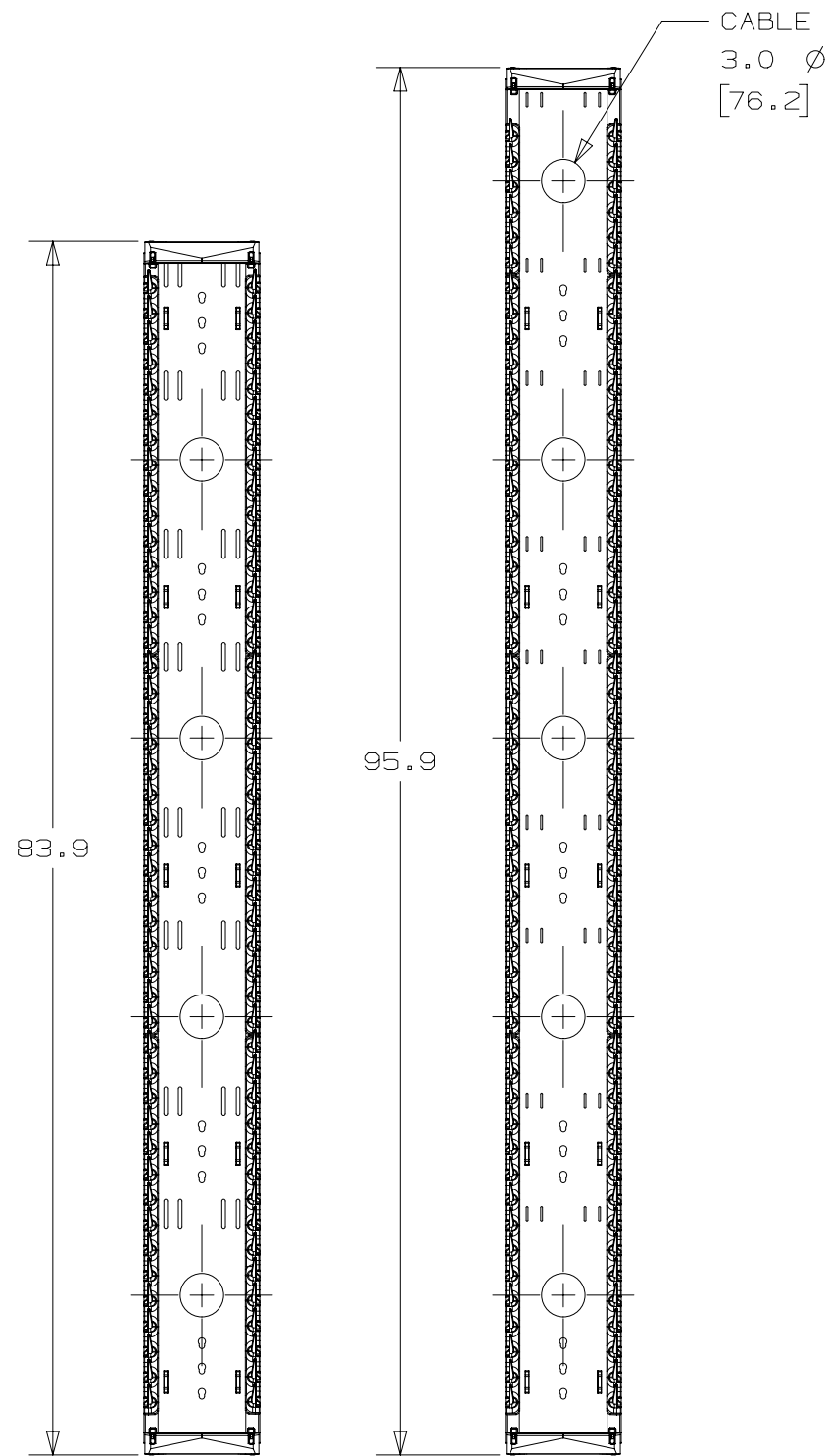
DISTANCE OF OPEN DOOR



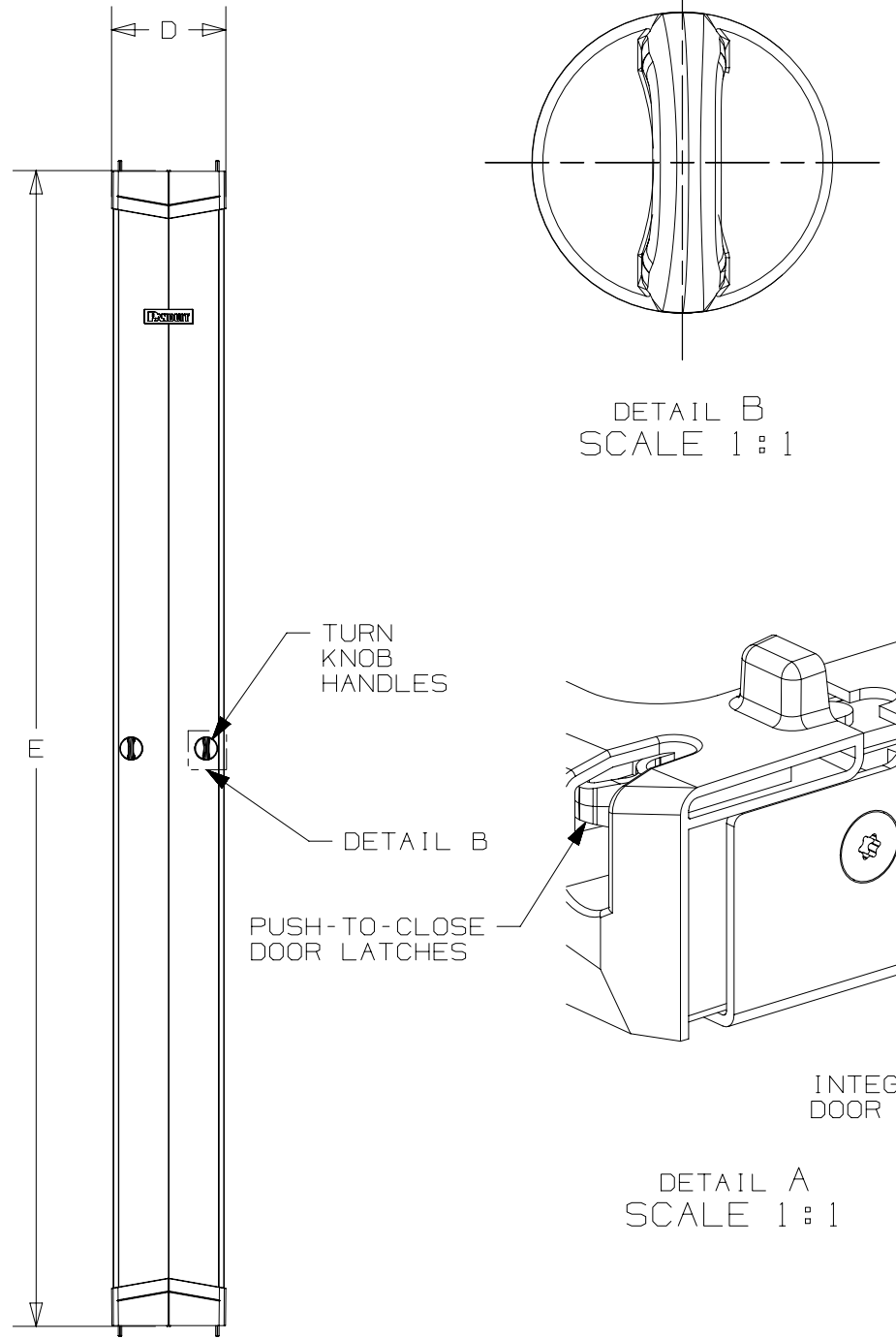
- NOTES:
- VISIT OUR ON-LINE CATALOG AT [WWW.PANDUIT.COM](http://WWW.PANDUIT.COM) FOR A LIST OF CURRENT PARTS APPLICABLE FOR USE WITH THIS PRODUCT.
  - DIMENSIONS IN [ ] ARE METRIC.
  - WEIGHT: SEE TABLE ON PAGE 3
  - PART INCLUDES:
    - 1- PATCHRUNNER 2 VERTICAL MANAGER, FRONT AND REAR FINGERS
    - 2- PATCHRUNNER 2 DUAL HINGE DOOR, FOR VERTICAL CABLE MANAGER
    - 1- HARDWARE KIT
  - CAN BE USED WITH ANY 19 OR 23 INCH EIA STANDARD RACK
  - ALL DIMENSIONS ARE REFERENCE ONLY.

|   |  |   |  |
|---|--|---|--|
| PART NUMBER   |  | PR2VD**   |  |
| TITLE   |  |   |  |
| PATCHRUNNER 2 VERTICAL CABLE MANAGER,<br>FRONT AND REAR FINGERS AND DOORS<br>CUSTOMER DRAWING |  |   |  |
| ITEM REVISION NAME  |  | 14V455LV/00   |  |
| DATASET FILE NAME   |  | 14V455LV_DC/00C   |  |
|   |  | MATERIAL:<br>BACKBONE & DOOR SKIN: STEEL<br>FINGERS, CROSSBARS, DOOR ENDS, DOOR KNOBS: ABS<br>HINGE PINS & HINGE LATCHES: POLYCARBONATE |  |
|   |  | DRAWING NUMBER:<br>14V455LV-DC  |  |
| THIRD ANGLE PROJECTION<br>  |  | DRAWN BY: BJJ<br>DATE: 10-24-17<br>CHK: JCO<br>SCALE: NONE  |  |
| SHT 1 OF 3  |  | SIZE: B   |  |

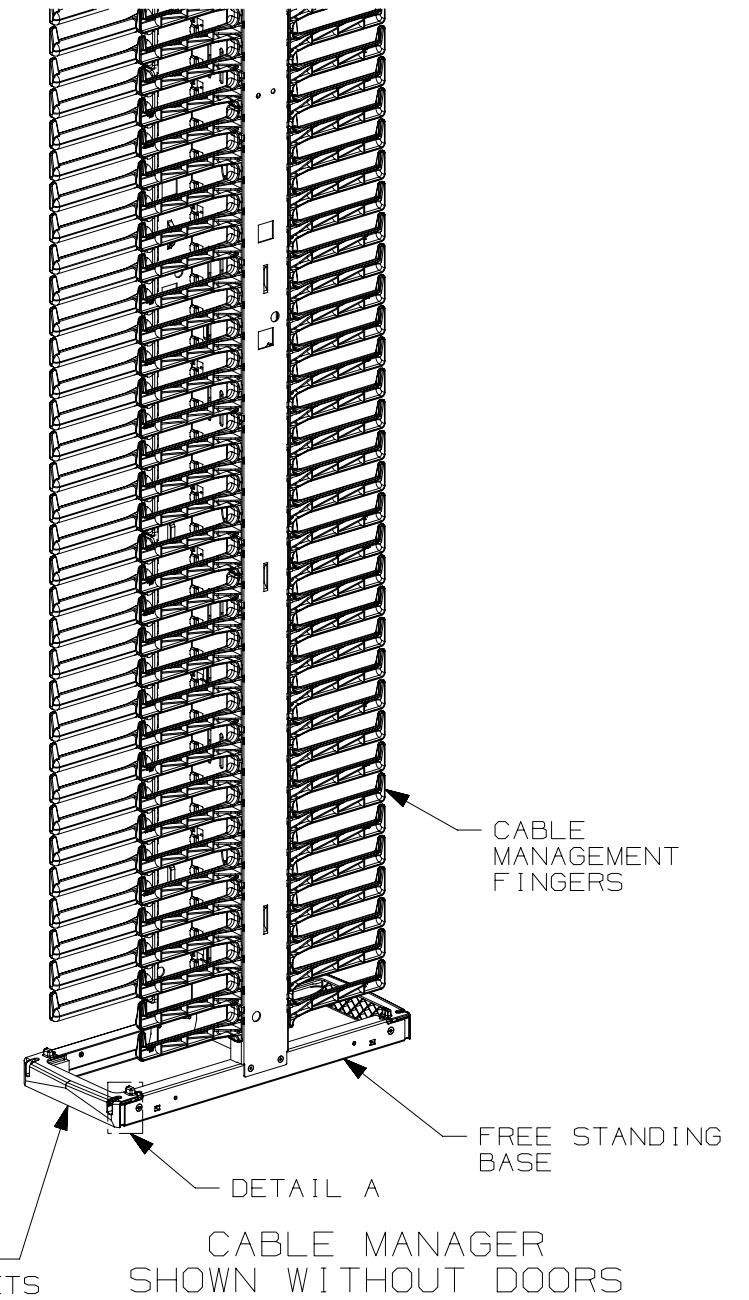
| REV | DATE    | BY  | CHK | APR  | DESCRIPTION                  | ECN         |
|-----|---------|-----|-----|------|------------------------------|-------------|
| 00C | 4-17-18 | BJN | JCO | JEFK | ADDED ** TO 96" PART NUMBERS | 14V455LV-DC |



CABLE MANAGER  
SHOWN WITHOUT DOORS



DOOR



|   |  |  |  |
|---|--|--|--|
| PART NUMBER   |  | PR2VD**  |  |
| TITLE   |  |  |  |
| PATCHRUNNER 2 VERTICAL CABLE MANAGER,<br>FRONT AND REAR FINGERS AND DOORS |  |  |  |
| CUSTOMER DRAWING  |  |  |  |
| ITEM REVISION NAME  |  | 14V455LV/00  |  |
| DATASET FILE NAME   |  | 14V455LV_DC/00C  |  |
| MATERIAL:   |  | <b>PANDUIT</b><br>BACKBONE & DOOR SKIN: STEEL<br>FINGERS, CROSSBARS, DOOR ENDS, DOOR KNOBS: ABS<br>HINGE PINS & HINGE LATCHES: POLYCARBONATE |  |
| DRAWING NUMBER:   |  | 14V455LV-DC  |  |
| DRAWN BY  |  | THIRD ANGLE PROJECTION   |  |
| B J N   |  | NONE   |  |
| DATE  |  | SCALE  |  |
| 10-24-17  |  | NONE   |  |
| CHK   |  | SHT 2 OF 3   |  |
| J C O   |  | B  |  |
| ECN   |  | SIZE   |  |
| 14V455LV-DC   |  | B  |  |

| 00C | 4-17-18 | BJN | JCO | JEFK | SEE SHEET 1 FOR REVISION HISTORY | 14V455LV-DC |
|-----|---------|-----|-----|------|----------------------------------|-------------|
| REV | DATE    | BY  | CHK | APR  | DESCRIPTION                      | ECN         |

| PART NO.    | DESCRIPTION   | A=OVERALL WIDTH |       | B=OVERALL HEIGHT |        | C=OVERALL DEPTH |       | D=DOOR WIDTH |       | E=DOOR HEIGHT |        | F=DOOR OPENING DEPTH |       | MANAGER AND DOORS FULLY UNPACKED WEIGHT | MANAGER AND DOORS SHIPPING WEIGHT  |
|-------------|---|-----------------|-------|------------------|--------|-----------------|-------|--------------|-------|---------------|--------|----------------------|-------|---|------------------------------------|
|             |   | INCHES          | MM    | INCHES           | MM     | INCHES          | MM    | INCHES       | MM    | INCHES        | MM     | INCHES               | MM    |   |                                    |
| PR2VD06**   | PATCHRUNNER 2 VERTICAL MANAGERS AND DOORS, 6in WIDE, 7ft TALL, FRONT AND REAR   | 6.00            | 152.4 | 83.88            | 2130.4 | 20.7            | 526.4 | 5.99         | 152.1 | 80.77         | 2051.6 | 4.62                 | 117.3 | 48.1 LBS EACH<br>[ 21.8 KG EACH ]       | 50.1 LBS EACH<br>[ 22.7 KG EACH ]  |
| PR2VD08**   | PATCHRUNNER 2 VERTICAL MANAGER AND DOORS, 8in WIDE, 7ft TALL, FRONT AND REAR    | 8.00            | 203.2 | 83.88            | 2130.4 | 20.7            | 526.4 | 7.99         | 202.9 | 80.77         | 2051.5 | 6.60                 | 167.7 | 54.59 LBS EACH<br>[ 24.8 KG EACH ]      | 56.59 LBS EACH<br>[ 25.7 KG EACH ] |
| PR2VD10**   | PATCHRUNNER 2 VERTICAL MANAGER AND DOORS, 10in WIDE, 7ft TALL, FRONT AND REAR   | 10.00           | 254.0 | 83.88            | 2130.4 | 20.7            | 526.4 | 9.99         | 253.7 | 80.82         | 2052.9 | 8.60                 | 218.4 | 61.15 LBS EACH<br>[ 27.7 KG EACH ]      | 63.15 LBS EACH<br>[ 28.6 KG EACH ] |
| PR2VD12**   | PATCHRUNNER 2 VERTICAL MANAGERS AND DOORS, 12in WIDE, 7ft TALL, FRONT AND REAR  | 12.00           | 304.8 | 83.88            | 2130.4 | 20.7            | 526.4 | 11.99        | 304.5 | 80.81         | 2052.6 | 10.60                | 269.2 | 67.64 LBS EACH<br>[ 30.7 KG EACH ]      | 69.64 LBS EACH<br>[ 31.6 KG EACH ] |
| PR2VD0696** | PATCHRUNNER 2 VERTICAL MANAGERS AND DOORS, 6in WIDE, 8ft TALL, FRONT AND REAR   | 6.00            | 152.4 | 95.88            | 2435.2 | 20.7            | 526.4 | 5.99         | 152.1 | 92.77         | 2356.4 | 4.62                 | 117.3 | 53.76 LBS EACH<br>[ 24.4 KG EACH ]      | 55.76 LBS EACH<br>[ 25.3 KG EACH ] |
| PR2VD0896** | PATCHRUNNER 2 VERTICAL MANAGERS AND DOORS, 8in WIDE, 8ft TALL, FRONT AND REAR   | 8.00            | 203.2 | 95.88            | 2435.2 | 20.7            | 526.4 | 7.99         | 202.9 | 92.77         | 2356.3 | 6.60                 | 167.7 | 61.06 LBS EACH<br>[ 27.7 KG EACH ]      | 63.06 LBS EACH<br>[ 28.6 KG EACH ] |
| PR2VD1096** | PATCHRUNNER 2 VERTICAL MANAGERS AND DOORS, 10in WIDE, 8ft TALL, FRONT AND REAR  | 10.00           | 254.0 | 95.88            | 2435.2 | 20.7            | 526.4 | 9.99         | 253.7 | 92.82         | 2357.7 | 8.60                 | 218.4 | 68.44 LBS EACH<br>[ 31 KG EACH ]        | 70.44 LBS EACH<br>[ 32 KG EACH ]   |
| PR2VD1296** | PATCHRUNNER 2 VERTICAL MANAGER AND DOORS, 12in WIDE, 8ft TALL, FRONT AND REAR   | 12.00           | 304.8 | 95.88            | 2435.2 | 20.7            | 526.4 | 11.99        | 304.5 | 92.81         | 2357.4 | 10.60                | 269.2 | 75.74 LBS EACH<br>[ 34.4 KG EACH ]      | 77.74 LBS EACH<br>[ 35.3 KG EACH ] |
| PR2VD0679   | PATCHRUNNER 2 VERTICAL MANAGER AND DOORS, 6in WIDE, 6.5ft TALL, FRONT AND REAR  | 6.00            | 152.4 | 78.88            | 2003.4 | 20.7            | 526.4 | 5.99         | 152.1 | 75.77         | 1924.6 | 4.62                 | 117.3 | 45.6 LBS EACH<br>[ 20.7 KG EACH ]       | 47.6 LBS EACH<br>[ 21.6 KG EACH ]  |
| PR2VD1279   | PATCHRUNNER 2 VERTICAL MANAGER AND DOORS, 12in WIDE, 6.5ft TALL, FRONT AND REAR | 12.00           | 304.8 | 78.88            | 2003.4 | 20.7            | 526.4 | 11.99        | 304.5 | 75.77         | 1924.6 | 10.60                | 269.2 | 64.12 LBS EACH<br>[ 29.1 KG EACH ]      | 66.12 LBS EACH<br>[ 30 KG EACH ]   |

\*\*DENOTES COLOR  
NONE=BLACK  
WH=WHITE

| REV | DATE    | BY  | CHK | APR  | DESCRIPTION                      | ECN         |
|-----|---------|-----|-----|------|----------------------------------|-------------|
| 00C | 4-17-18 | BJN | JCO | JEFK | SEE SHEET 1 FOR REVISION HISTORY | 14V455LV-DC |

|   |                  |
|---|------------------|
| PART NUMBER<br>PR2VD**  |                  |
| TITLE<br>PATCHRUNNER 2 VERTICAL CABLE MANAGER,<br>FRONT AND REAR FINGERS AND DOORS<br>CUSTOMER DRAWING                                  |                  |
| ITEM REVISION NAME<br>14V455LV/00   | <b>PANDUIT</b>   |
| DATASET FILE NAME<br>14V455LV_DC/00C  |                  |
| MATERIAL:<br>BACKBONE & DOOR SKIN: STEEL<br>FINGERS, CROSSBARS, DOOR ENDS, DOOR KNOBS: ABS<br>HINGE PINS & HINGE LATCHES: POLYCARBONATE |                  |
| DRAWING NUMBER:<br>14V455LV-DC  |                  |
| THIRD ANGLE PROJECTION  |                  |
| DRAWN BY<br>BJN   | DATE<br>10-24-17 |
| CHK<br>JCO  | SCALE<br>NONE    |
| SHT 3 OF 3  |                  |
| SIZE<br>B   |                  |

D10.100DB/17