

- VISIT OUR ON-LINE CATALOG AT WWW.PANDUIT.COM FOR A LIST OF CURRENT PARTS APPLICABLE FOR USE WITH THIS PRODUCT.
- DIMENSIONS IN [] ARE METRIC.
- ALL MATERIALS AND COMPONENTS USED MEET THE MATERIAL RESTRICTIONS OF RoHS (EUROPEAN DIRECTIVE 2011/65/EU ON THE RESTRICTION OF HAZARDOUS SUBSTANCES) AS PROPOSED BY THE RoHS TECHNICAL ADAPTATION COMMITTEE.
- WEIGHT: SEE TABLE 1
- PART INCLUDES:
1- MANAGER
1- COVER
4- #12-24 SCREWS
- CAN BE USED WITH ANY 19 INCH EIA STANDARD RACK
- ALL DIMENSIONS ARE REFERENCE ONLY.

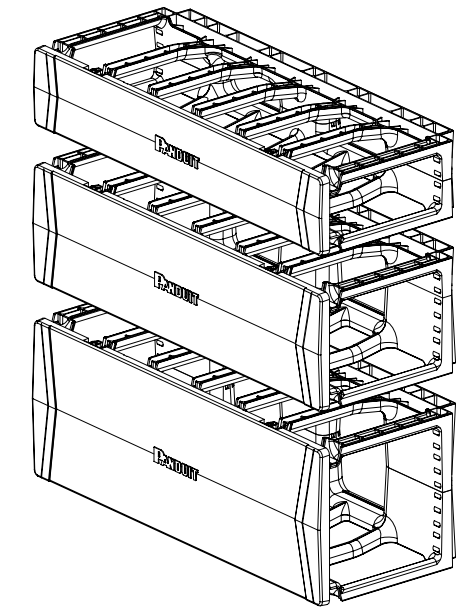
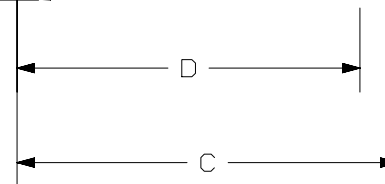
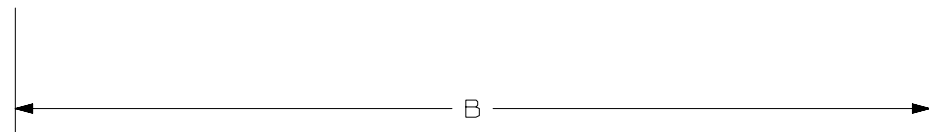
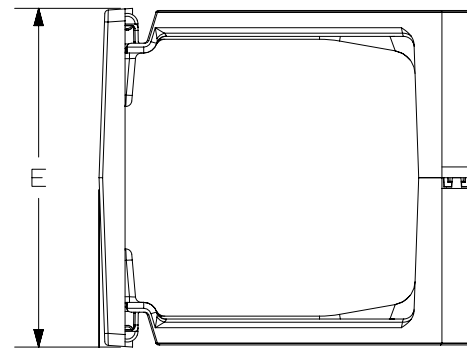
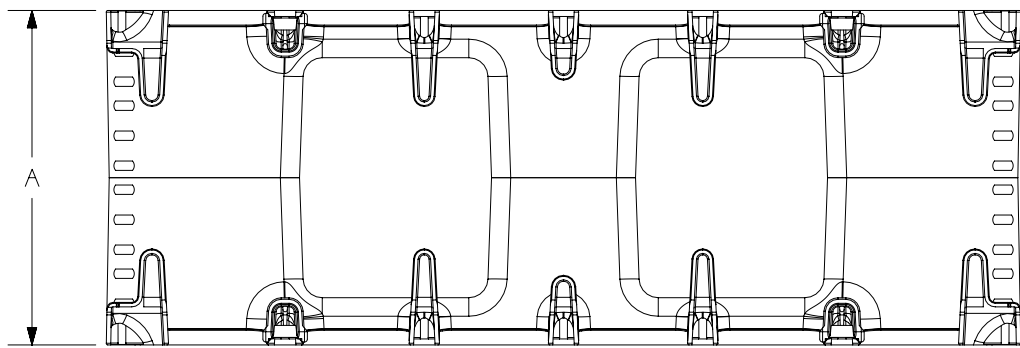
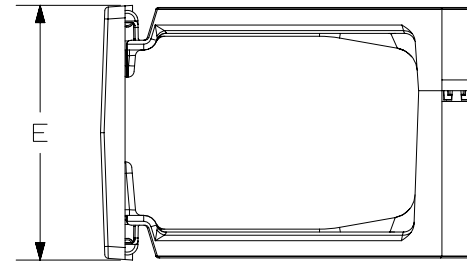
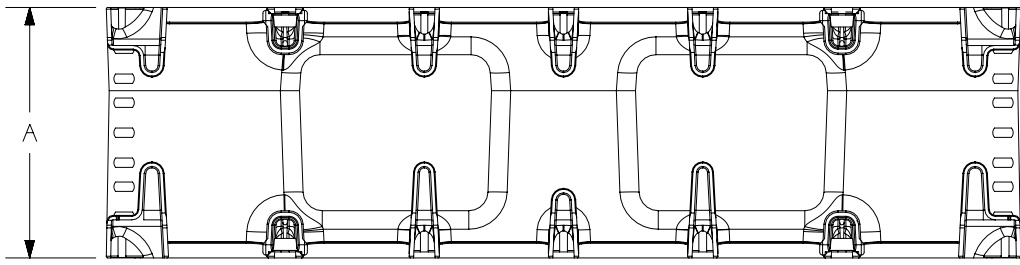
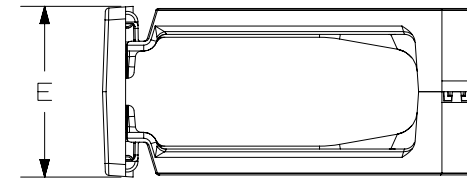
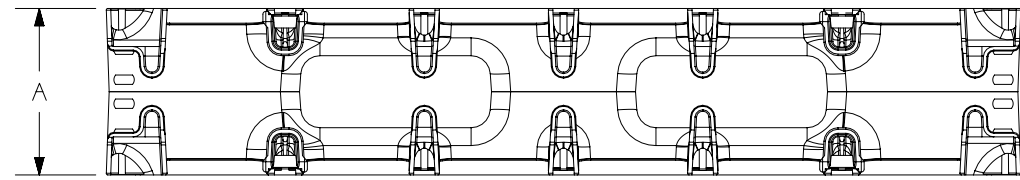


TABLE-1

PANDUIT PART NO.	A=OVERALL HEIGHT		B=OVERALL WIDTH		C=OVERALL DEPTH		D=MOUNTING DEPTH		E=OVERALL COVER HEIGHT		UNPACKED WEIGHT		SHIPPING WEIGHT	
	INCH	MM	INCH	MM	INCH	MM	INCH	MM	INCH	MM	LBS EACH	KG EACH	LBS EACH	KG EACH
PR2HF2**	3.47	88.1	19.05	483.9	7.94	201.7	7.14	181.4	3.56	90.3	1.6	0.7	2.2	1.0
PR2HF3**	5.22	132.6							5.41	134.8	2.2	1.0	2.8	1.3
PR2HF4**	6.97	177.0							7.06	179.2	2.6	1.2	3.2	1.5

**DENOTES COLOR
NONE=BLACK
WH=WHITE

PART NUMBER		SEE TABLE-1			
TITLE					
PATCHRUNNER 2 HORIZONTAL CABLE MANAGER					
CUSTOMER DRAWING					
ITEM REVISION NAME		00224EAE/00			
DATASET FILE NAME		00224EAE_DC/00A			
THIRD ANGLE PROJECTION					
MATERIAL		ABS, NEODYMIUM MAGNETS, STEEL PINS			
DRAWING NUMBER		00224EAE-DC			
DRAWN BY	DATE	CHK	SCALE	SHEET 1 OF 1	
BJN	12-10-19	JCO	NONE	B	

00A	1-8-20	BJN	JCO	JFK	RELEASED TO PRODUCTION	00224EAE-DC
REV	DATE	BY	CHK	APR	DESCRIPTION	ECN

B

B

A

A

B-SIZE CUSTOMER