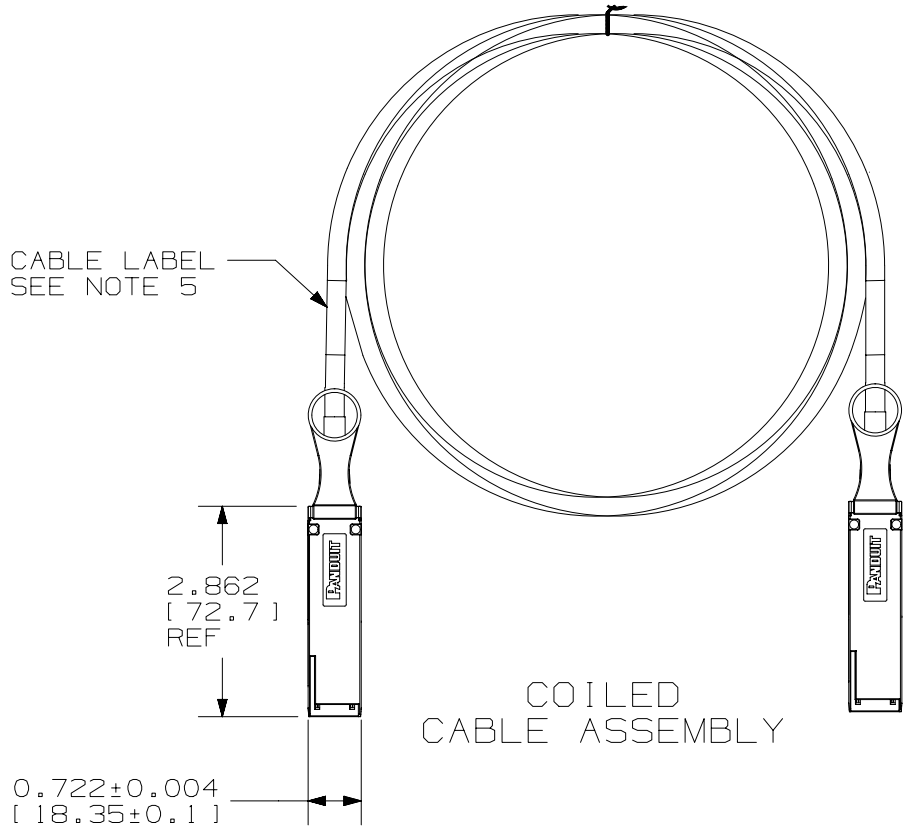


THIS COPY IS PROVIDED ON A RESTRICTED BASIS AND IS NOT TO BE USED IN ANY WAY DETRIMENTAL TO THE INTERESTS OF PANDUIT CORP.



NOTES:

1. SEE WWW.PANDUIT.COM TO INDICATE PACKAGE QUANTITY.
2. SEE WWW.PANDUIT.COM FOR COMPLETE LIST OF PARTS APPLICABLE FOR USE WITH THIS PART.
3. PRODUCT DESCRIPTION:
  - A. 4 LANES, 25 Gbps/LANE
  - B. STANDARD SFP CONNECTOR
  - C. CL2 RATED JACKET
  - D. JACKET COLOR: BLACK (BL)
4. MATES WITH SFP SFF-8436 INTERFACE
5. CABLE LABEL CONTAINS PRODUCT DESCRIPTION, PART NUMBER, LENGTH AND WIRE GAUGE, AND MANUFACTURING SERIAL NUMBER.

TABLE 1  
CABLE ASSEMBLY

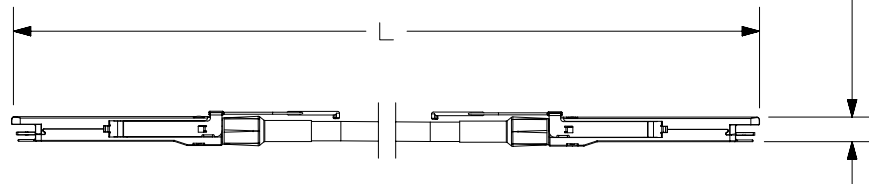
PANDUIT P/N	LENGTH (mm)	xx AWG
PQSF2PXA1MBL	1000±10	30
PQSF2PXA2MBL	2000±20	30
PQSF2PXA3MBL	3000±30	30
PQSF2PXC4MBL	4000±40	26
PQSF2PXC5MBL	5000±50	26

0.722±0.004  
[ 18.35±0.1 ]

2.862  
[ 72.7 ]  
REF

COILED  
CABLE ASSEMBLY

0.424±0.006  
[ 10.77±0.15 ]



PART NUMBER SEE TABLE 1		PRODUCT SPEC/PKG SPEC N/A	
I.I. NUMBER N/A		WORK INSTRUCTION N/A	
TITLE <b>QSFP28 PASSIVE CABLE ASSEMBLY</b>			
CUSTOMER DRAWING			
ITEM REVISION NAME 03269UDA/01		<b>PANDUIT</b>	
DATASET FILE NAME 03269UDA_DC/01B			
UNLESS OTHERWISE SPECIFIED, DIMENSIONAL TOLERANCES ARE: IN [ mm ]		MATERIAL:	
.x ± .1 [ 2.54 ]      .xxx ± .005 [ .127 ]		DRAWING NUMBER: 03269UDA - DC	
.xx ± .01 [ .25 ]      ANGLES ± 5 °			
THIRD ANGLE PROJECTION			
DRAWN BY BJN	DATE 6-17-20	CHK MATO	SCALE NONE
SHT 1 OF 2		A	

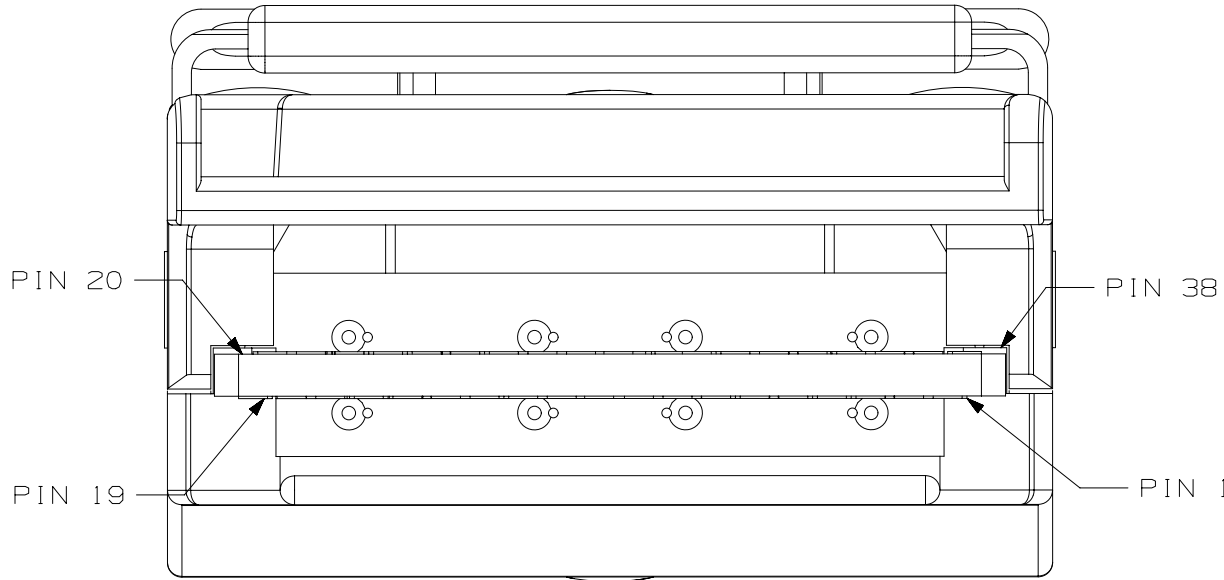
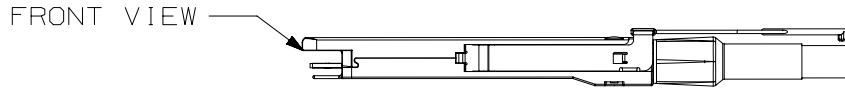
REV	DATE	BY	CHK	APR	DESCRIPTION	ECN
01B	8-21-20	BJN	MATO	DDH	UPDATED	03269UDA-DC
01A	6-17-20	BJN	MATO	DDH	RELEASED TO PRODUCTION	03269UDA-DC

D10100DA/14

THIS COPY IS PROVIDED ON A RESTRICTED BASIS AND IS NOT TO BE USED IN ANY WAY DETRIMENTAL TO THE INTERESTS OF PANDUIT CORP.

TABLE 2  
PINOUT DIAGRAM

BOTTOM SIDE		TOP SIDE	
POS #	SIGNAL	POS #	SIGNAL
1	GND	20	GND
2	TX2-	21	RX2-
3	TX2+	22	RX2+
4	GND	23	GND
5	TX4-	24	RX4-
6	TX4+	25	RX4+
7	GND	26	GND
8	MODSELL	27	MODPRSL
9	RESETL	28	INTL
10	VCC RX	29	VCC TX
11	SCL	30	VCC1
12	SDA	31	LPMODE
13	GND	32	GND
14	RX3+	33	TX3+
15	RX3-	34	TX3-
16	GND	35	GND
17	RX1+	36	TX1+
18	RX1-	37	TX1-
19	GND	38	GND



\* VEE PINS CONNECT FIRST UPON PLUGGING IN.  
 \*\* TX\_FAULT, TX\_DISABLE, AND RX\_LOS ARE DEFINED IN SFF-8432, BUT ARE NOT USED IN PASSIVE DIRECT ATTACH COPPER CABLES.

FRONT VIEW  
SEE TABLE 2

PART NUMBER SEE TABLE 1		PRODUCT SPEC/PKG SPEC N/A	
I.T. NUMBER N/A		WORK INSTRUCTION N/A	
TITLE QSFP28 PASSIVE CABLE ASSEMBLY			
CUSTOMER DRAWING			
ITEM REVISION NAME 03269UDA/01		<b>PANDUIT</b>	
DATASET FILE NAME 03269UDA_DC/01B			
UNLESS OTHERWISE SPECIFIED, DIMENSIONAL TOLERANCES ARE: IN [mm]		MATERIAL:	
.x ± .1 [ 2.54 ]      .xxx ± .005 [ .127 ]		DRAWING NUMBER: 03269UDA - DC	
.xx ± .01 [ .25 ]      ANGLES ± 5 °			
THIRD ANGLE PROJECTION			
DRAWN BY BJN	DATE 6-17-20	CHK MATO	SCALE NONE
SHT 2 OF 2		A	

REV	DATE	BY	CHK	APR	DESCRIPTION	ECN
01B	8-21-20	BJN	MATO	LSHA	SEE SHEET 1 FOR REVISION HISTORY	03269UDA-DC
01A	6-17-20	BJN	MATO	DDH	SEE SHEET 1 FOR REVISION HISTORY	03269UDA-DC

D10100DA/14