

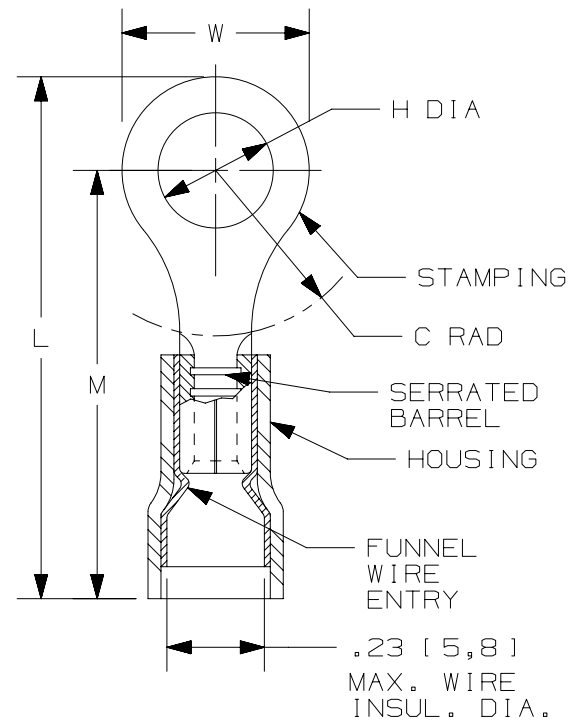
THIS COPY IS PROVIDED ON A RESTRICTED BASIS AND IS NOT TO BE USED IN ANY WAY DETRIMENTAL TO THE INTERESTS OF PANDUIT CORP.

PANDUIT PART #	MILITARY PART # AND CLASS	STUD SIZE		DIMENSIONS in. [mm]				
		ENGLISH	METRIC	L ± .04 [1,0]	W ± .01 [0,3]	C ± .015 [0,4]	M ± .03 [0,8]	H ± .01 [0,3]
PMNF6-3R	-----	--	M3	1.05 [26,7]	.23 [5,8]	.36 [9,1]	.95 [24,1]	.13 [3,3]
PNF10-6R	MS25036-111 CLASS 1 & 2	#6	M3,5	1.06 [26,9]	.37 [9,4]	.31 [7,8]	.88 [22,4]	.15 [3,8]
PNF10-8R	MS25036-156 CLASS 1 & 2	#8	M4	1.06 [26,9]	.37 [9,4]	.31 [7,8]	.88 [22,4]	.17 [4,3]
PNF10-10R	MS25036-112 CLASS 1 & 2	#10	--	1.06 [26,9]	.37 [9,4]	.31 [7,8]	.88 [22,4]	.20 [5,1]
PMNF6-5R	-----	--	M5	1.06 [26,9]	.38 [9,6]	.36 [9,1]	.87 [22,1]	.21 [5,3]
PNF10-14R	MS25036-157 CLASS 1 & 2	1/4"	M6	1.21 [30,7]	.52 [13,2]	.38 [9,6]	.95 [24,1]	.27 [6,9]
PNF10-56R	MS25036-113 CLASS 1 & 2	5/16"	M8	1.21 [30,7]	.52 [13,2]	.38 [9,6]	.95 [24,1]	.34 [8,7]
PNF10-38R	MS25036-114 CLASS 1 & 2	3/8"	M5	1.29 [32,8]	.58 [14,7]	.43 [10,9]	1.00 [25,4]	.40 [10,2]

UL & CSA TOOLS (DIES)
 CT-600-A (CT-550CH)
 CT-1550
 CT-1551
 CT-2500 (CT-2550CH)

MILITARY CLASS 2 TOOL
 CT-460

PANDUIT APPROVED TOOLS
 CT-100A
 CT-160
 CT-260



NOTES:

- UL LISTED & CSA CERTIFIED FOR:
 - #12-10 AWG [4,0-6,0 mm²] SOLID OR STRANDED COPPER WIRE
 - 221°F [105°C] MAX. OPERATING TEMPERATURE
 - 600 V. MAX. VOLTAGE RATING
1000 V. IN SIGNS, FIXTURES & LUMINARIES
- SEE www.panduit.com FOR PACKAGE QUANTITIES
- MATERIAL:
 - STAMPING: .04" [1,0] THK COPPER, TIN PLATED
 - HOUSING: NYLON, YELLOW
 - SLEEVE: BRASS, TIN PLATED
- DIMENSIONS IN BRACKETS ARE METRIC EQUIVALENT
- WIRE STRIP LENGTH: 9/32" ^{+1/32}₋₀ [7,1^{+0,8}₋₀]



LISTED
587H
E52164



CERTIFIED
LR31212

REV	DATE	BY	CHK	APR	DESCRIPTION	ECN
11	01/18	TMR	JHNU	RGB	AGENCY CERTIFICATION UPDATED	N41277BA-A41277
10	07/14	MBY	JHNU	RGB	REVISED NOTES, MOVED TOOLS TO TABLE, REVISED CERTIFICATION	N41277BA-A41277
09	10/12	JBN	LCA	VMB	ADDED METRIC EQUIVALENT. REVISED NOTES. UPDATED DRAWING TO CURRENT STANDARDS.	A41277

TITLE RING TERMINALS, 3 PC. NYLON FUNNEL INSULATED, #12-10 CUSTOMER DRAWING	
ITEM REVISION NAME N41277BA/11	PANDUIT
DATASET FILE NAME N41277BA_DC/11	
UNLESS OTHERWISE SPECIFIED, DIMENSIONAL TOLERANCES ARE: IN [mm]	
.X ± .XX ±	.XXX ± ANGLES ±
THIRD ANGLE PROJECTION	
DRAWN BY DAW	DATE -
CHK RLS	SCALE N.T.S.
MATERIAL: SEE NOTES	
DRAWING NUMBER: A41277	
SHT 1 OF 1	SIZE A

D101000DA/15