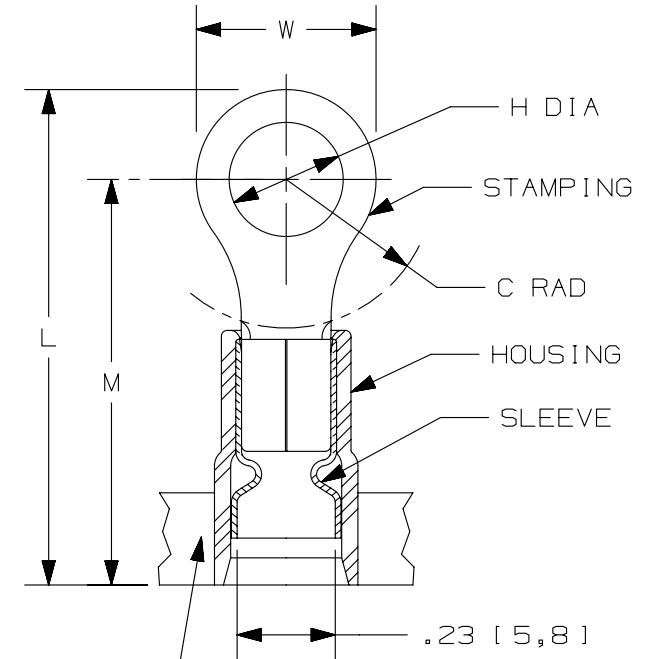


THIS COPY IS PROVIDED ON A RESTRICTED BASIS AND IS NOT TO BE USED IN ANY WAY DETRIMENTAL TO THE INTERESTS OF PANDUIT CORP.

PANDUIT PART #	MILITARY PART # AND CLASS	STUD SIZE		DIMENSIONS in. [mm]				
		ENGLISH	METRIC	L ± .04 [1,0]	W ± .01 [0,3]	C ± .02 [0,5]	M ± .04 [1,0]	H ± .01 [0,3]
PMNF6-3R	-----	--	M3	.97 [24,7]	.23 [5,8]	.31 [7,9]	.86 [21,7]	.13 [3,3]
PNF10-6R	MS25036-111 CLASS 2	#6	M3,5	1.06 [26,9]	.38 [9,7]	.31 [7,9]	.88 [22,3]	.15 [3,8]
PNF10-8R	MS25036-156 CLASS 2	#8	M4	1.06 [26,9]	.38 [9,7]	.31 [7,9]	.88 [22,3]	.17 [4,3]
PNF10-10R	MS25036-112 CLASS 2	#10	--	1.06 [26,9]	.38 [9,7]	.31 [7,9]	.88 [22,3]	.20 [5,1]
PMNF6-5R	-----	--	M5	1.04 [26,4]	.38 [9,7]	.31 [7,9]	.86 [21,7]	.21 [5,3]
PNF10-14R	MS25036-157 CLASS 2	1/4"	M6	1.21 [30,7]	.52 [13,2]	.38 [9,7]	.95 [24,1]	.27 [6,9]
PNF10-56R	MS25036-113 CLASS 2	5/16"	M8	1.21 [30,7]	.52 [13,2]	.38 [9,7]	.95 [24,1]	.33 [8,4]
PNF10-38R	MS25036-114 CLASS 2	3/8"	--	1.29 [32,8]	.58 [14,7]	.43 [10,9]	1.00 [25,4]	.39 [9,9]



NOTES:

- USED FOR:
  - A. #12-10 AWG [4,0-6,0 mm<sup>2</sup>] SOLID OR STRANDED COPPER WIRE
  - B. 221°F [105°C] MAX. OPERATING TEMPERATURE
  - C. 600 V. MAX. VOLTAGE RATING
- INSTALLATION TOOLS:
  - A. PRESSES: CP-861, CP-862, CP-871
  - B. APPLICATOR: CA-800EZ, CA9
  - C. DIE INSERTS: CD-800-3, CD9-3B
- WIRE STRIP LENGTH: 1 1/32" <sup>+1/32</sup> [8,7<sup>±0,8</sup>]
- MATERIAL:
  - A. STAMPING: .04" [1,0] THK COPPER, TIN PLATED
  - B. HOUSING: NYLON, YELLOW
  - C. SLEEVE: BRASS, TIN PLATED
- SEE [www.panduit.com](http://www.panduit.com) FOR PACKAGE QUANTITIES INDICATED BY PART NUMBER SUFFIX
- DIMENSIONS IN BRACKETS ARE METRIC EQUIVALENT

CARRIER STRIP (CONFIGURATION MAY VARY)

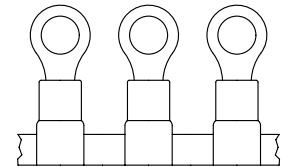
.23 [5,8] MAX. WIRE INSUL. DIA.



LISTED 587H E52164



CERTIFIED LR31212



TITLE		RING TERMINALS, 3 PC. NYLON (FUNNEL) INSULATED, #12-10		
ITEM REVISION NAME		CUSTOMER DRAWING		
DATASET FILE NAME		N41143BA/07		
UNLESS OTHERWISE SPECIFIED, DIMENSIONAL TOLERANCES ARE: IN [mm]				
.x ± .1 [2.54] .xxx ± .005 [.13]		MATERIAL: SEE NOTES		
.xx ± .01 [.25] ANGLES ± 5°		DRAWING NUMBER: A41143		
THIRD ANGLE PROJECTION		SHT 1 OF 1		
DRAWN BY	DATE	CHK	SCALE	SIZE
FES	-	FS	N.T.S.	A

REV	DATE	BY	CHK	APR	DESCRIPTION	ECN
07	09.13.12	JBN	LCA	VMB	ADDED METRIC EQUIVALENT. REVISED NOTES. UPDATED DRAWING TO CURRENT STANDARDS.	A41143

D10100DA/15