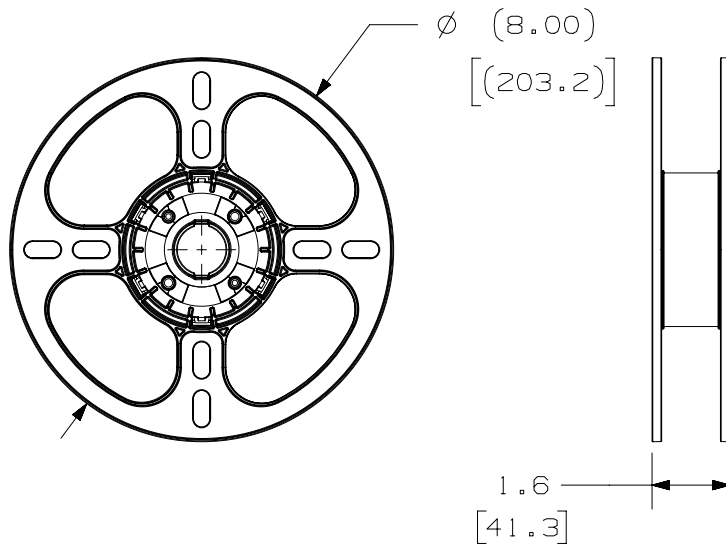
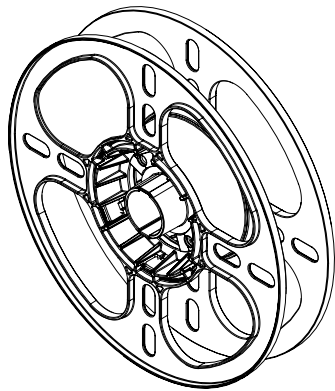


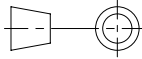
THIS COPY IS PROVIDED ON A RESTRICTED BASIS AND IS NOT TO BE USED IN ANY WAY DETRIMENTAL TO THE INTERESTS OF PANDUIT CORP.



NOTES:

- VISIT OUR ON-LINE CATALOG AT WWW.PANDUIT.COM FOR A LIST OF CURRENT PARTS APPLICABLE FOR USE WITH THIS PRODUCT.
- DIMENSIONS IN [] ARE METRIC.
- REFERENCE DIMENSIONS ARE MARKED, OR ARE WITHIN BRACKETS.
- ALL MATERIALS AND COMPONENTS USED MEET THE MATERIAL RESTRICTIONS OF RoHS (EUROPEAN DIRECTIVE 2011/65/EU ON THE RESTRICTION OF HAZARDOUS SUBSTANCES) AS PROPOSED BY THE RoHS TECHNICAL ADAPTATION COMMITTEE.
- WEIGHT: APPROX. 0.25 Lbs (116 g).
- PART INCLUDES: PLA-SP MEDIA SPOOL
- TOLERANCES: X.X: 0.10"
X.XX: 0.010"
X.XXX: 0.005"



PART NUMBER		00091SHZ										
TITLE		PLA-SP										
		CUSTOMER DRAWING										
ITEM REVISION NAME		00091SHZ/02										
DATASET FILE NAME		00091SHZ_DC/02A										
		THIRD ANGLE PROJECTION										
MATERIAL		N/A										
		DRAWING NUMBER										
		00091SHZ - DC										
REV	DATE	BY	CHK	APR	DESCRIPTION	ECN	DRAWN BY	DATE	CHK	SCALE	SHEET 1 OF 1	SIZE
02A	10/28/20	KIPS	ARHA	RCMC	INITIAL RELEASE	089563	KIPS	10/28/2020	ENG	1:4		A

A-SIZE CUSTOMER

2

1

2

1