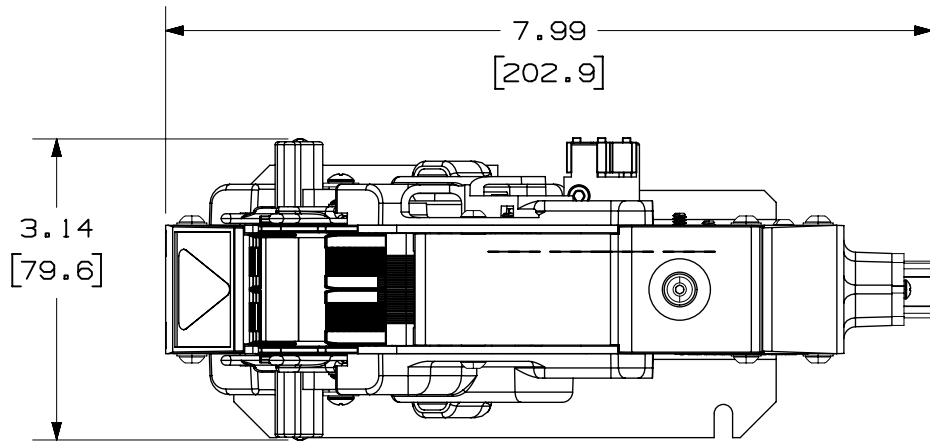
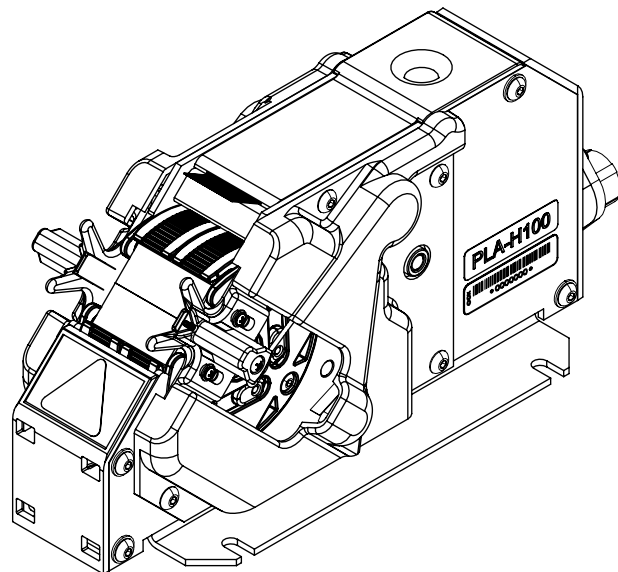
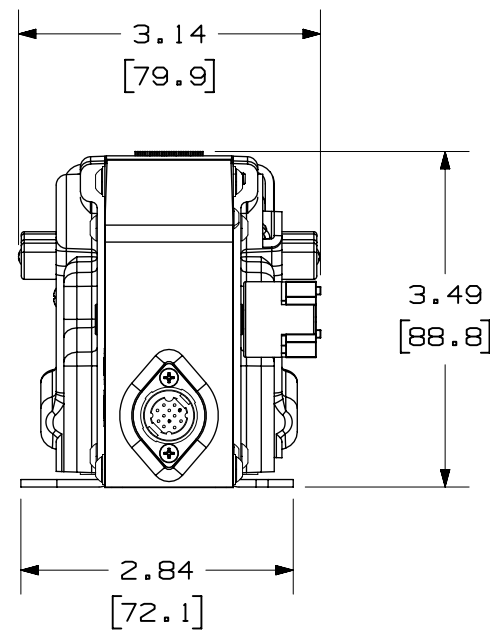
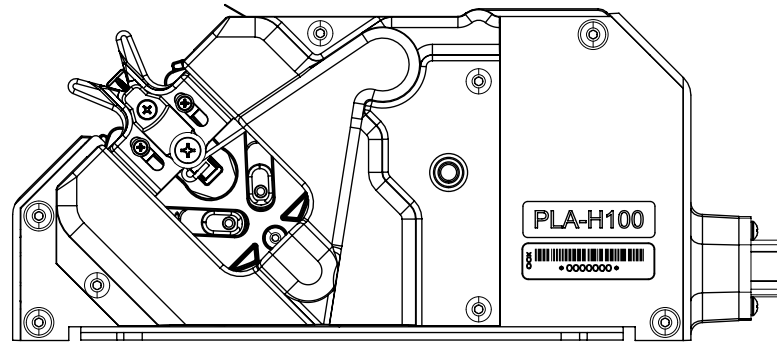


THIS COPY IS PROVIDED ON A RESTRICTED BASIS AND IS NOT TO BE USED IN ANY WAY DETRIMENTAL TO THE INTERESTS OF PANDUIT CORP.



NOTES:

1. VISIT OUR ON-LINE CATALOG AT WWW.PANDUIT.COM FOR A LIST OF CURRENT PARTS APPLICABLE FOR USE WITH THIS PRODUCT.
2. DIMENSIONS IN [ ] ARE METRIC.
3. ALL MATERIALS AND COMPONENTS USED MEET THE MATERIAL RESTRICTIONS OF RoHS (EUROPEAN DIRECTIVE 2011/65/EU ON THE RESTRICTION OF HAZARDOUS SUBSTANCES) AS PROPOSED BY THE RoHS TECHNICAL ADAPTATION COMMITTEE.
4. WEIGHT: 741 oz.
5. PART INCLUDES: PLA HEAD
6. TOLERANCES: X.X+/- 0.10"; X.XX +/- 0.010" ; X.XXX +/- 0.005"



WE ASK THAT YOU CHECK FULLY THE DIMENSIONS, NOTES, AND SIGN THE CLIENT SIGNATURE BOX. THE JOB WILL NOT PROGRESS WITHOUT SIGNED APPROVAL. PLEASE DO NOT DELAY IN RETURNING PROOF AS IT WILL AFFECT DELIVERY.	SIGN
	PRINT
	DAE

PART NUMBER		00129EMV	
TITLE		PLA-H100	
		CUSTOMER DRAWING	
ITEM REVISION NAME		00129EMV/04	
DATASET FILE NAME		00129EMV_DC_04A	
		THIRD ANGLE PROJECTION	
MATERIAL		XXXXXXXXXXXX	
		DRAWING NUMBER	
		00129EMV-DC	
DRAWN BY	DATE	CHK	SCALE
LAH	09/28/20	RDSE	NONE
SHEET 1 OF 1		SIZE	
		B	

REV	DATE	BY	CHK	APR	DESCRIPTION	ECN
04	09/28/20	LAH	RDSE	ALP	INITIAL RELEASE	

B-SIZE CUSTOMER