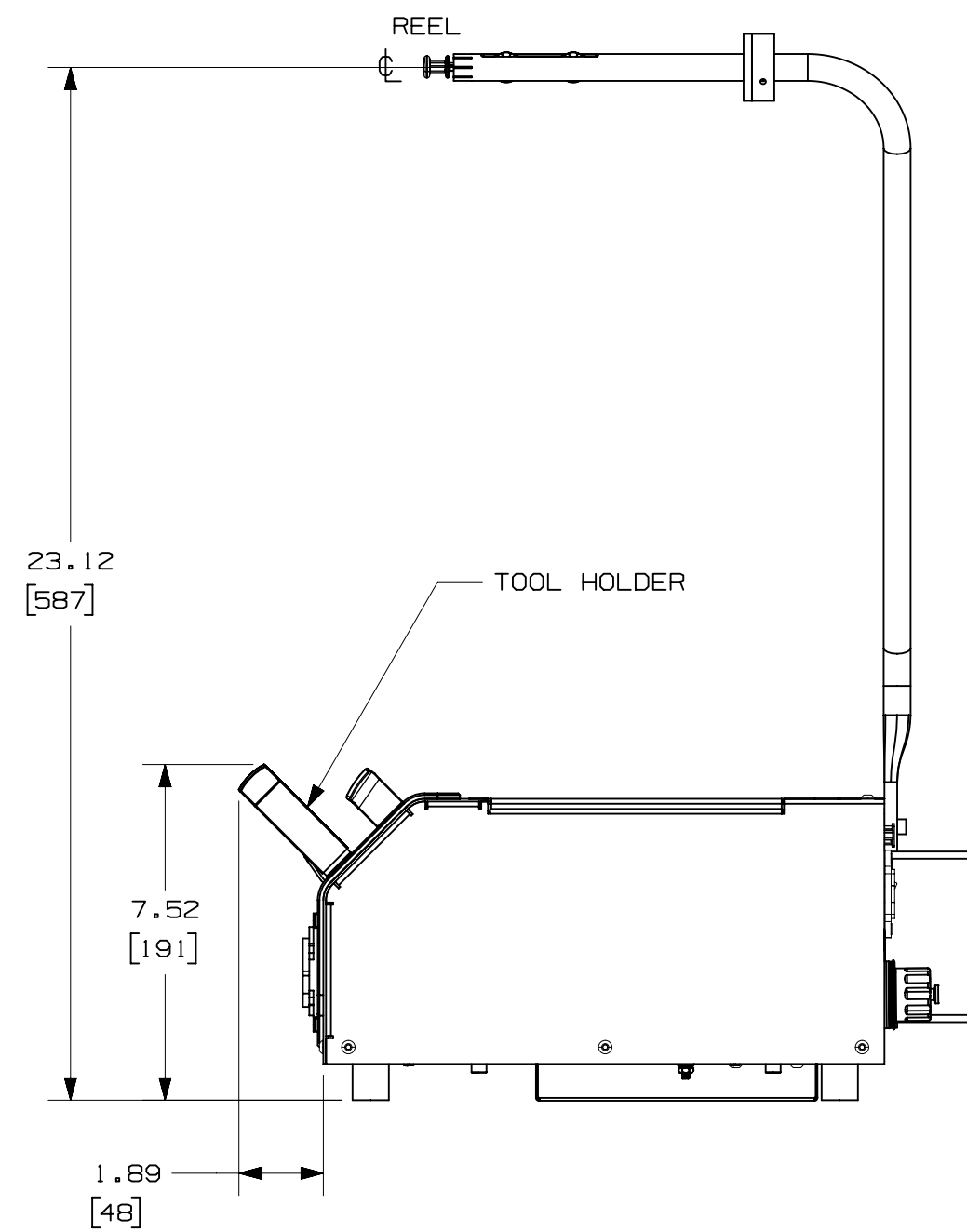
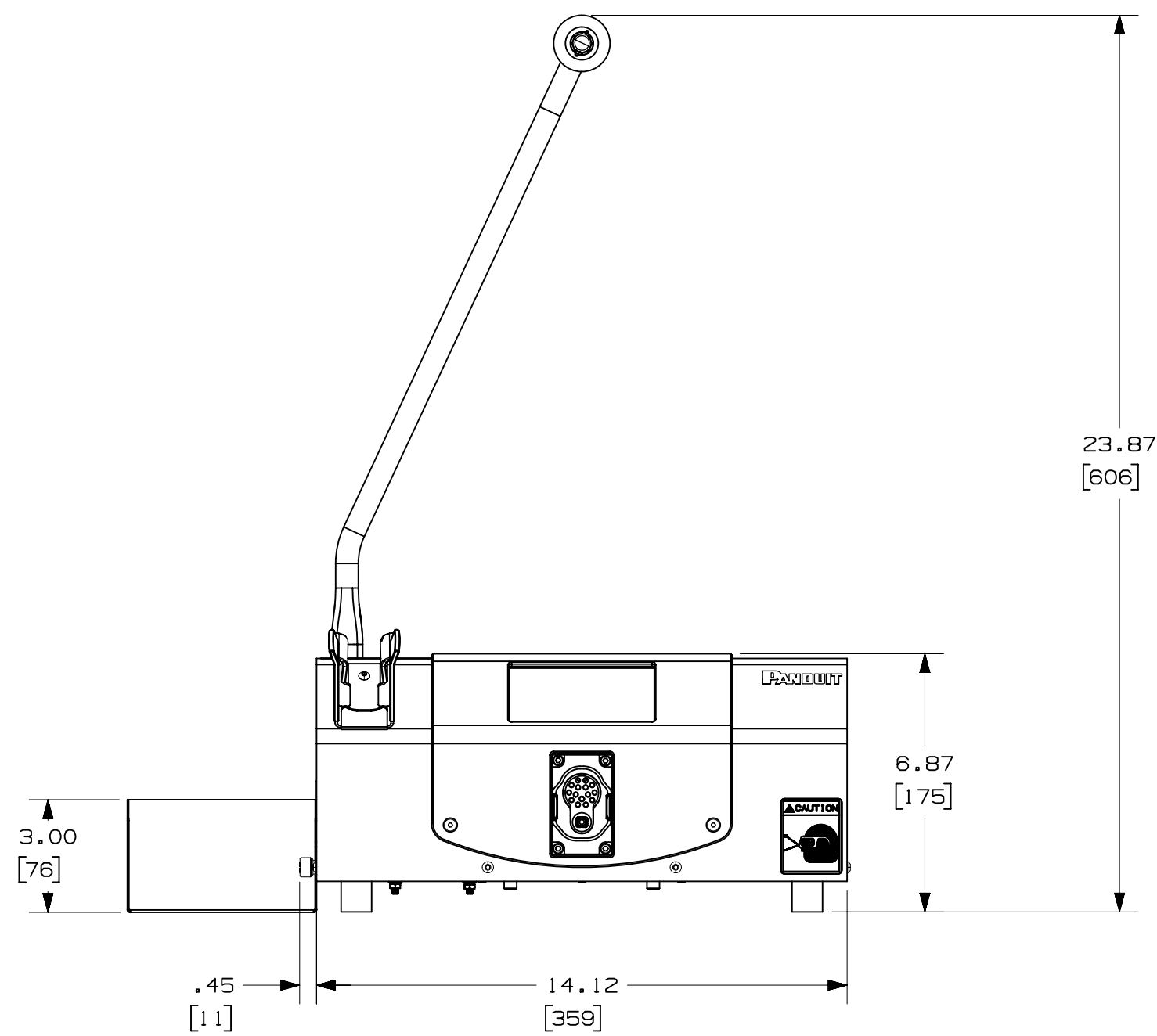


NOTES, UNLESS OTHERWISE SPECIFIED:
 DISPENSER WEIGHT: 35.0 LBS (15,9 kg)
 ELECTRICAL: 115-230 VAC 50/60 Hz SINGLE PHASE
 POWER: 300 WATT
 AIR: 65-85 psi (4,5 - 5,8 bar)
 AIR CONSUMPTION AT 25 CYCLES PER MINUTE LESS THAN 7 cfm @ 65 psig (3,3 L/sec @ 4,5 bar)
 DIMENSIONS IN BRACKETS ARE IN MILLIMETERS, FOR REFERENCE ONLY
 TIE REEL DIAMETER: 18"



REV	DATE	BY	CHK	APR	DESCRIPTION	ECN
01	04/01/16	SILD	ALP	ALP	UPDATED MODEL	4757A
00	07/07/15	SILD	ALP	ALP	RELEASE	4757

TITLE				CUSTOMER DRAWING - PDM4.0			
ITEM REVISION NAME				CONTROL DRAWING			
DATASET FILE NAME				R27737BA/01			
DRAWING NUMBER				WT27737C01			
UNLESS OTHERWISE SPECIFIED, DIMENSIONAL TOLERANCES ARE: 1N (mm)				MATERIAL: N/A			
DRAWN BY: SILD				DATE: 07/07/15			
CHK: ALP				SCALE: 1:4			
THIRD ANGLE PROJECTION				SHT 1 OF 1			
SIZE: C							