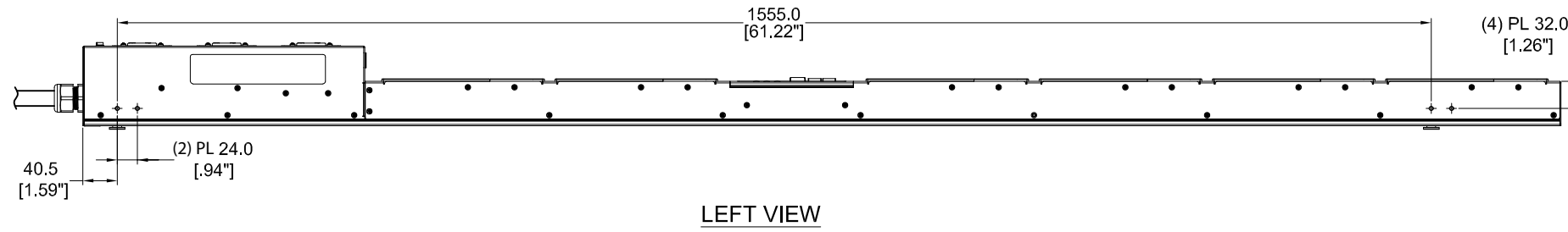
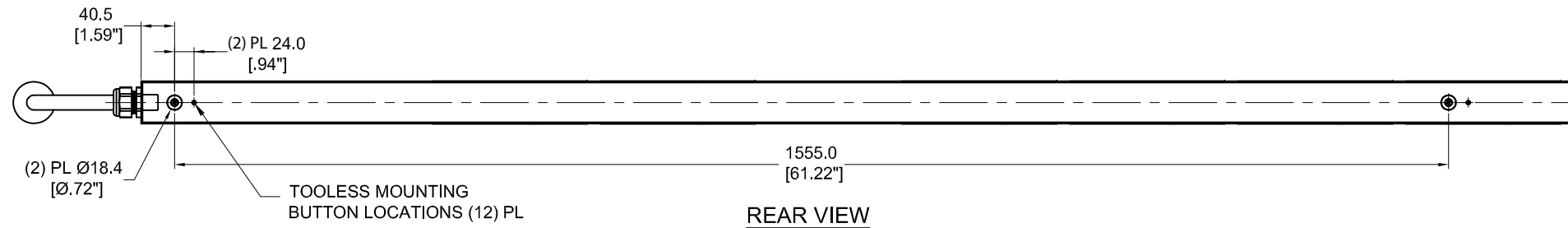


THIS COPY IS PROVIDED ON A RESTRICTED BASIS AND IS NOT TO BE USED IN ANY WAY DETRIMENTAL TO THE INTERESTS OF PANDUIT CORP.

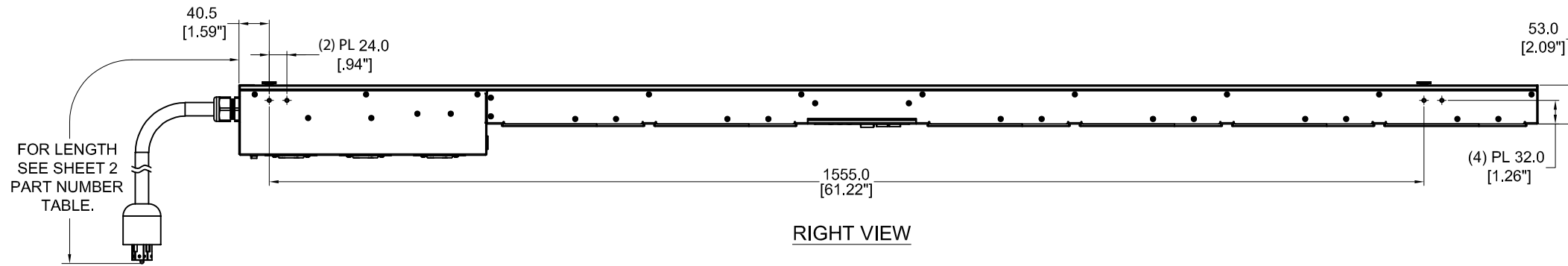
PANDUIT P/N	WEIGHT
P36G19M-XYZ	SEE SHEET 2



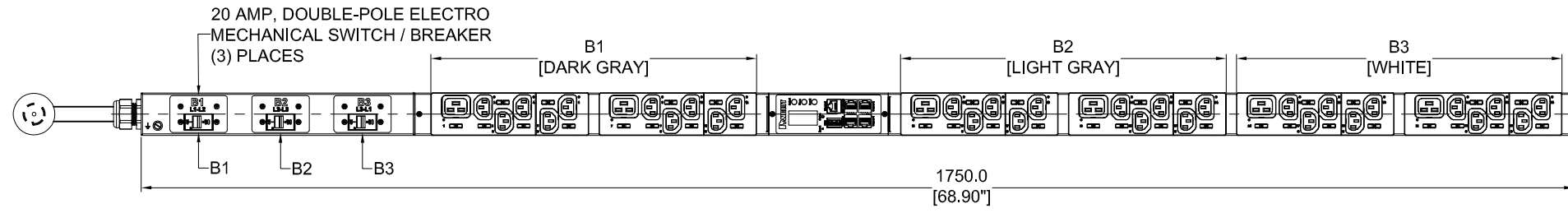
LEFT VIEW



REAR VIEW



RIGHT VIEW



FRONT VIEW

SPECIFICATION:

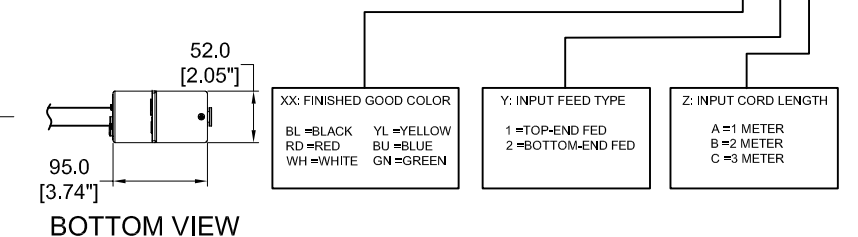
- STANDARD:
 - UNIT TYPE: MONITORED & SWITCHED PER OUTLET
 - ORIENTATION: VERTICAL, 0U FULL
 - OUTLET QTY & TYPE: (30)C13, (6)C19
 - INPUT VOLTAGE: 100-120/200-240VAC
 - INPUT CURRENT: 30A (24A DERATED)
 - BREAKER QTY & TYPE: (3) 20AMP, DOUBLE-POLE THREE-PHASE, WYE
 - INPUT PHASE: THREE-PHASE, WYE
 - RATED POWER: 8.6 KVA
 - INPUT PLUG: NEMA L21-30P
 - INPUT POWER CORD: SEE SHEET 2 FOR NUMBER TABLE
- REGULATORY STANDARD: RoHS COMPLIANT
- ADDITIONAL: NONE
- ACCESSORIES: (1) QUICK-START GUIDE

NOTES:

- PRIMARY DIMENSIONS ARE IN MILLIMETERS. SECONDARY DIMENSION ARE IN [INCHES]
- INSTALLATION SHALL COMPLY WITH ALL APPLICABLE NATIONAL, STATE, AND LOCAL CODES
- VISIT OUR ON-LINE CATALOG AT WWW.PANDUIT.COM FOR A CURRENT LIST OF PRODUCTS APPLICABLE FOR USE WITH THIS PART
- FOR FULL PRODUCT FUNCTIONALITY REFER TO USER MANUAL
- DRAWING VIEWS SHOW THE INPUT CORD IN THE "TOP END FED" CONFIGURATION

IDENTIFICATION

FOR FINISHED GOOD PART NUMBER & DESCRIPTION TABLE SEE SHEET 2 CONFIGURABLE PART NUMBERS: P36G19M-XX Y Z



BOTTOM VIEW

PLUG/RECEPTACLE BLOCK



PLUG
NEMA L21 - 30P, 4P 5W
30A, 120/208V MAX RATED INPUT
24A DERATED



RECEPTACLES
IEC 60320/C19
16A, 250V MAX RATED OUTPUT



RECEPTACLES
IEC 60320/C13
10A, 250V MAX RATED OUTPUT

REV	DATE	BY	CHK	APR	DESCRIPTION	ECN
02A	06/07/2018	H.XU	MIM	JAWI	ADDED SHEET 2 WITH CONFIGURABLE PART NUMBER TABLE AND DESCRIPTION UPDATED IDENTIFICATION TO INCLUDE CONFIGURABLE OPTION DE-CODER UPDATED CIRCUIT BREAKER LABELS WITH ROTATED TEXT	P36G19M
01A	10/09/2017	WSJ	MIM	EDM	INITIAL RELEASE	P36G19M

WE ASK THAT YOU CHECK FULLY THE DIMENSIONS, NOTES, AND SIGN THE CLIENT SIGNATURE BOX. THE JOB WILL NOT PROGRESS WITHOUT SIGNED APPROVAL. PLEASE DO NOT DELAY IN RETURNING PROOF AS IT WILL AFFECT DELIVERY		SIGN
		DATE
		PRINT
TITLE INTELLIGENT SERIES PDU P36G19M-XYZ CUSTOMER DRAWING		
ITEM REVISION NAME		
DATASHEET FILE NAME:		
UNLESS OTHERWISE SPECIFIED DIMENSIONAL TOLERANCE ARE: mm [IN]		MATERIAL/COLOR:
Tolerance(mm) 0<450 ±0.5 50<4250 ±1.0 250<4500 ±1.5 500<41000 ±2.5 1000<42000 ±4.0		N/A
THIRD ANGLE PROJECTION		DRAWING NUMBER: P36G19M_DC
DRAWN BY WSJ	DATE 10/09/2017	SCALE NONE
CHK SEAN	SCALE NONE	SHT 1 OF 2
		SCALE B

THIS COPY IS PROVIDED ON A RESTRICTED BASIS AND IS NOT TO BE USED IN ANY WAY DETRIMENTAL TO THE INTERESTS OF PANDUIT CORP.

FINISHED GOOD PART NUMBER	FINISHED GOOD DESCRIPTION	COLOR	INPUT CORD LENGTH	WEIGHT
P36G19M	VERTICAL,(30) C13,(6) C19,MONITORED & SWITCHED PER OUTLET, 100-120/200-240V/30A/3 PHASE WYE , TOP-END FED, 3 METER INPUT CORD, BLACK	BLACK (RAL 9005)	3M(+254MM-127MM) 10'[+10'/-5"]	8.3kg
P36G19M-BL1A	VERTICAL,(30) C13,(6) C19,MONITORED & SWITCHED PER OUTLET, 100-120/200-240V/30A/3 PHASE WYE , TOP-END FED, 1 METER INPUT CORD, BLACK	BLACK (RAL 9005)	1M(+178MM-89MM) 3.3'[+7'/-3.5"]	7.1kg
P36G19M-BL1B	VERTICAL,(30) C13,(6) C19,MONITORED & SWITCHED PER OUTLET, 100-120/200-240V/30A/3 PHASE WYE , TOP-END FED, 2 METER INPUT CORD, BLACK	BLACK (RAL 9005)	2M(+178MM-89MM) 6.5'[+7'/-3.5"]	7.7kg
P36G19M-RD1A	VERTICAL,(30) C13,(6) C19,MONITORED & SWITCHED PER OUTLET, 100-120/200-240V/30A/3 PHASE WYE , TOP-END FED, 1 METER INPUT CORD, RED	RED (RAL 3020)	1M(+178MM-89MM) 3.3'[+7'/-3.5"]	7.1kg
P36G19M-RD1B	VERTICAL,(30) C13,(6) C19,MONITORED & SWITCHED PER OUTLET, 100-120/200-240V/30A/3 PHASE WYE , TOP-END FED, 2 METER INPUT CORD, RED	RED (RAL 3020)	2M(+178MM-89MM) 6.5'[+7'/-3.5"]	7.7kg
P36G19M-RD1C	VERTICAL,(30) C13,(6) C19,MONITORED & SWITCHED PER OUTLET, 100-120/200-240V/30A/3 PHASE WYE , TOP-END FED, 3 METER INPUT CORD, RED	RED (RAL 3020)	3M(+254MM-127MM) 10'[+10'/-5"]	8.3kg
P36G19M-WH1A	VERTICAL,(30) C13,(6) C19,MONITORED & SWITCHED PER OUTLET, 100-120/200-240V/30A/3 PHASE WYE , TOP-END FED, 1 METER INPUT CORD, WHITE	WHITE (RAL 9003)	1M(+178MM-89MM) 3.3'[+7'/-3.5"]	7.1kg
P36G19M-WH1B	VERTICAL,(30) C13,(6) C19,MONITORED & SWITCHED PER OUTLET, 100-120/200-240V/30A/3 PHASE WYE , TOP-END FED, 2 METER INPUT CORD, WHITE	WHITE (RAL 9003)	2M(+178MM-89MM) 6.5'[+7'/-3.5"]	7.7kg
P36G19M-WH1C	VERTICAL,(30) C13,(6) C19,MONITORED & SWITCHED PER OUTLET, 100-120/200-240V/30A/3 PHASE WYE , TOP-END FED, 3 METER INPUT CORD, WHITE	WHITE (RAL 9003)	3M(+254MM-127MM) 10'[+10'/-5"]	8.3kg
P36G19M-YL1A	VERTICAL,(30) C13,(6) C19,MONITORED & SWITCHED PER OUTLET, 100-120/200-240V/30A/3 PHASE WYE , TOP-END FED, 1 METER INPUT CORD, YELLOW	YELLOW (RAL 1023)	1M(+178MM-89MM) 3.3'[+7'/-3.5"]	7.1kg
P36G19M-YL1B	VERTICAL,(30) C13,(6) C19,MONITORED & SWITCHED PER OUTLET, 100-120/200-240V/30A/3 PHASE WYE , TOP-END FED, 2 METER INPUT CORD, YELLOW	YELLOW (RAL 1023)	2M(+178MM-89MM) 6.5'[+7'/-3.5"]	7.7kg
P36G19M-YL1C	VERTICAL,(30) C13,(6) C19,MONITORED & SWITCHED PER OUTLET, 100-120/200-240V/30A/3 PHASE WYE , TOP-END FED, 3 METER INPUT CORD, YELLOW	YELLOW (RAL 1023)	3M(+254MM-127MM) 10'[+10'/-5"]	8.3kg
P36G19M-BU1A	VERTICAL,(30) C13,(6) C19,MONITORED & SWITCHED PER OUTLET, 100-120/200-240V/30A/3 PHASE WYE , TOP-END FED, 1 METER INPUT CORD, BLUE	BLUE (RAL 5005)	1M(+178MM-89MM) 3.3'[+7'/-3.5"]	7.1kg
P36G19M-BU1B	VERTICAL,(30) C13,(6) C19,MONITORED & SWITCHED PER OUTLET, 100-120/200-240V/30A/3 PHASE WYE , TOP-END FED, 2 METER INPUT CORD, BLUE	BLUE (RAL 5005)	2M(+178MM-89MM) 6.5'[+7'/-3.5"]	7.7kg
P36G19M-BU1C	VERTICAL,(30) C13,(6) C19,MONITORED & SWITCHED PER OUTLET, 100-120/200-240V/30A/3 PHASE WYE , TOP-END FED, 3 METER INPUT CORD, BLUE	BLUE (RAL 5005)	3M(+254MM-127MM) 10'[+10'/-5"]	8.3kg
P36G19M-GN1A	VERTICAL,(30) C13,(6) C19,MONITORED & SWITCHED PER OUTLET, 100-120/200-240V/30A/3 PHASE WYE , TOP-END FED, 1 METER INPUT CORD, GREEN	GREEN (RAL 6001)	1M(+178MM-89MM) 3.3'[+7'/-3.5"]	7.1kg
P36G19M-GN1B	VERTICAL,(30) C13,(6) C19,MONITORED & SWITCHED PER OUTLET, 100-120/200-240V/30A/3 PHASE WYE , TOP-END FED, 2 METER INPUT CORD, GREEN	GREEN (RAL 6001)	2M(+178MM-89MM) 6.5'[+7'/-3.5"]	7.7kg
P36G19M-GN1C	VERTICAL,(30) C13,(6) C19,MONITORED & SWITCHED PER OUTLET, 100-120/200-240V/30A/3 PHASE WYE , TOP-END FED, 3 METER INPUT CORD, GREEN	GREEN (RAL 6001)	3M(+254MM-127MM) 10'[+10'/-5"]	8.3kg
P36G19M-BL2A	VERTICAL,(30) C13,(6) C19,MONITORED & SWITCHED PER OUTLET, 100-120/200-240V/30A/3 PHASE WYE , BOTTOM-END FED, 1 METER INPUT CORD, BLACK	BLACK (RAL 9005)	1M(+178MM-89MM) 3.3'[+7'/-3.5"]	7.1kg
P36G19M-BL2B	VERTICAL,(30) C13,(6) C19,MONITORED & SWITCHED PER OUTLET, 100-120/200-240V/30A/3 PHASE WYE , BOTTOM-END FED, 2 METER INPUT CORD, BLACK	BLACK (RAL 9005)	2M(+178MM-89MM) 6.5'[+7'/-3.5"]	7.7kg
P36G19M-BL2C	VERTICAL,(30) C13,(6) C19,MONITORED & SWITCHED PER OUTLET, 100-120/200-240V/30A/3 PHASE WYE , BOTTOM-END FED, 3 METER INPUT CORD, BLACK	BLACK (RAL 9005)	3M(+254MM-127MM) 10'[+10'/-5"]	8.3kg
P36G19M-RD2A	VERTICAL,(30) C13,(6) C19,MONITORED & SWITCHED PER OUTLET, 100-120/200-240V/30A/3 PHASE WYE , BOTTOM-END FED, 1 METER INPUT CORD, RED	RED (RAL 3020)	1M(+178MM-89MM) 3.3'[+7'/-3.5"]	7.1kg
P36G19M-RD2B	VERTICAL,(30) C13,(6) C19,MONITORED & SWITCHED PER OUTLET, 100-120/200-240V/30A/3 PHASE WYE , BOTTOM-END FED, 2 METER INPUT CORD, RED	RED (RAL 3020)	2M(+178MM-89MM) 6.5'[+7'/-3.5"]	7.7kg
P36G19M-RD2C	VERTICAL,(30) C13,(6) C19,MONITORED & SWITCHED PER OUTLET, 100-120/200-240V/30A/3 PHASE WYE , BOTTOM-END FED, 3 METER INPUT CORD, RED	RED (RAL 3020)	3M(+254MM-127MM) 10'[+10'/-5"]	8.3kg
P36G19M-WH2A	VERTICAL,(30) C13,(6) C19,MONITORED & SWITCHED PER OUTLET, 100-120/200-240V/30A/3 PHASE WYE , BOTTOM-END FED, 1 METER INPUT CORD, WHITE	WHITE (RAL 9003)	1M(+178MM-89MM) 3.3'[+7'/-3.5"]	7.1kg
P36G19M-WH2B	VERTICAL,(30) C13,(6) C19,MONITORED & SWITCHED PER OUTLET, 100-120/200-240V/30A/3 PHASE WYE , BOTTOM-END FED, 2 METER INPUT CORD, WHITE	WHITE (RAL 9003)	2M(+178MM-89MM) 6.5'[+7'/-3.5"]	7.7kg
P36G19M-WH2C	VERTICAL,(30) C13,(6) C19,MONITORED & SWITCHED PER OUTLET, 100-120/200-240V/30A/3 PHASE WYE , BOTTOM-END FED, 3 METER INPUT CORD, WHITE	WHITE (RAL 9003)	3M(+254MM-127MM) 10'[+10'/-5"]	8.3kg
P36G19M-YL2A	VERTICAL,(30) C13,(6) C19,MONITORED & SWITCHED PER OUTLET, 100-120/200-240V/30A/3 PHASE WYE , BOTTOM-END FED, 1 METER INPUT CORD, YELLOW	YELLOW (RAL 1023)	1M(+178MM-89MM) 3.3'[+7'/-3.5"]	7.1kg
P36G19M-YL2B	VERTICAL,(30) C13,(6) C19,MONITORED & SWITCHED PER OUTLET, 100-120/200-240V/30A/3 PHASE WYE , BOTTOM-END FED, 2 METER INPUT CORD, YELLOW	YELLOW (RAL 1023)	2M(+178MM-89MM) 6.5'[+7'/-3.5"]	7.7kg
P36G19M-YL2C	VERTICAL,(30) C13,(6) C19,MONITORED & SWITCHED PER OUTLET, 100-120/200-240V/30A/3 PHASE WYE , BOTTOM-END FED, 3 METER INPUT CORD, YELLOW	YELLOW (RAL 1023)	3M(+254MM-127MM) 10'[+10'/-5"]	8.3kg
P36G19M-BU2A	VERTICAL,(30) C13,(6) C19,MONITORED & SWITCHED PER OUTLET, 100-120/200-240V/30A/3 PHASE WYE , BOTTOM-END FED, 1 METER INPUT CORD, BLUE	BLUE (RAL 5005)	1M(+178MM-89MM) 3.3'[+7'/-3.5"]	7.1kg
P36G19M-BU2B	VERTICAL,(30) C13,(6) C19,MONITORED & SWITCHED PER OUTLET, 100-120/200-240V/30A/3 PHASE WYE , BOTTOM-END FED, 2 METER INPUT CORD, BLUE	BLUE (RAL 5005)	2M(+178MM-89MM) 6.5'[+7'/-3.5"]	7.7kg
P36G19M-BU2C	VERTICAL,(30) C13,(6) C19,MONITORED & SWITCHED PER OUTLET, 100-120/200-240V/30A/3 PHASE WYE , BOTTOM-END FED, 3 METER INPUT CORD, BLUE	BLUE (RAL 5005)	3M(+254MM-127MM) 10'[+10'/-5"]	8.3kg
P36G19M-GN2A	VERTICAL,(30) C13,(6) C19,MONITORED & SWITCHED PER OUTLET, 100-120/200-240V/30A/3 PHASE WYE , BOTTOM-END FED, 1 METER INPUT CORD, GREEN	GREEN (RAL 6001)	1M(+178MM-89MM) 3.3'[+7'/-3.5"]	7.1kg
P36G19M-GN2B	VERTICAL,(30) C13,(6) C19,MONITORED & SWITCHED PER OUTLET, 100-120/200-240V/30A/3 PHASE WYE , BOTTOM-END FED, 2 METER INPUT CORD, GREEN	GREEN (RAL 6001)	2M(+178MM-89MM) 6.5'[+7'/-3.5"]	7.7kg
P36G19M-GN2C	VERTICAL,(30) C13,(6) C19,MONITORED & SWITCHED PER OUTLET, 100-120/200-240V/30A/3 PHASE WYE , BOTTOM-END FED, 3 METER INPUT CORD, GREEN	GREEN (RAL 6001)	3M(+254MM-127MM) 10'[+10'/-5"]	8.3kg

B

B

A

A

REV	DATE	BY	CHK	APR	DESCRIPTION	ECN
02A	06/07/2018	H.XU	MIM	JAWI	ADDED SHEET 2 WITH CONFIGURABLE PART NUMBER TABLE AND DESCRIPTION UPDATED IDENTIFICATION TO INCLUDE CONFIGURABLE OPTION DE-CODER UPDATED CIRCUIT BREAKER LABELS WITH ROTATED TEXT	P36G19M
01A	10/09/2017	WSJ	MIM	EDM	INITIAL RELEASE	P36G19M

WE ASK THAT YOU CHECK FULLY THE DIMENSIONS, NOTES, AND SIGN THE CLIENT SIGNATURE BOX. THE JOB WILL NOT PROGRESS WITHOUT SIGNED APPROVAL. PLEASE DO NOT DELAY IN RETURNING PROOF AS IT WILL AFFECT DELIVERY		SIGN
		DATE
		PRINT
TITLE INTELLIGENT SERIES PDU P36G19M-XXYZ CUSTOMER DRAWING		
ITEM REVISION NAME		
DATASHEET FILE NAME:		
UNLESS OTHERWISE SPECIFIED DIMENSIONAL TOLERANCE ARE: mm [IN]		MATERIAL/COLOR: N/A
Tolerance(mm) 0<450 ±0.5 50<4250 ±1.0 250<4500 ±1.5 500<41000 ±2.5 1000<42000 ±4.0		DRAWING NUMBER: P36G19M_DC
THIRD ANGLE PROJECTION	DRAWN BY WSJ	DATE 10/09/2017
	CHK SEAN	SCALE NONE
		SHT 2 OF 2
		SCALE B