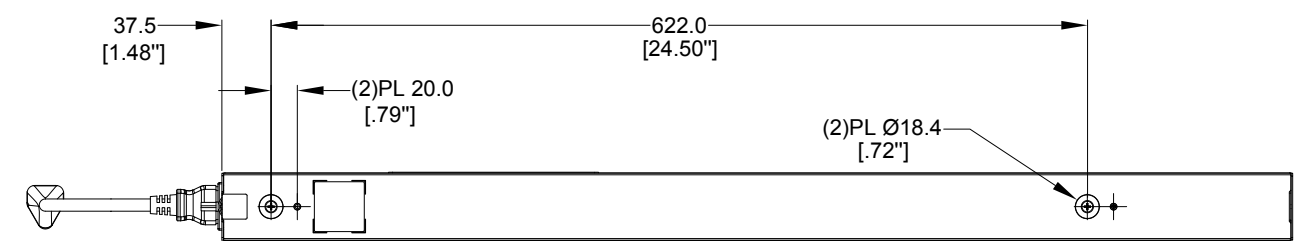
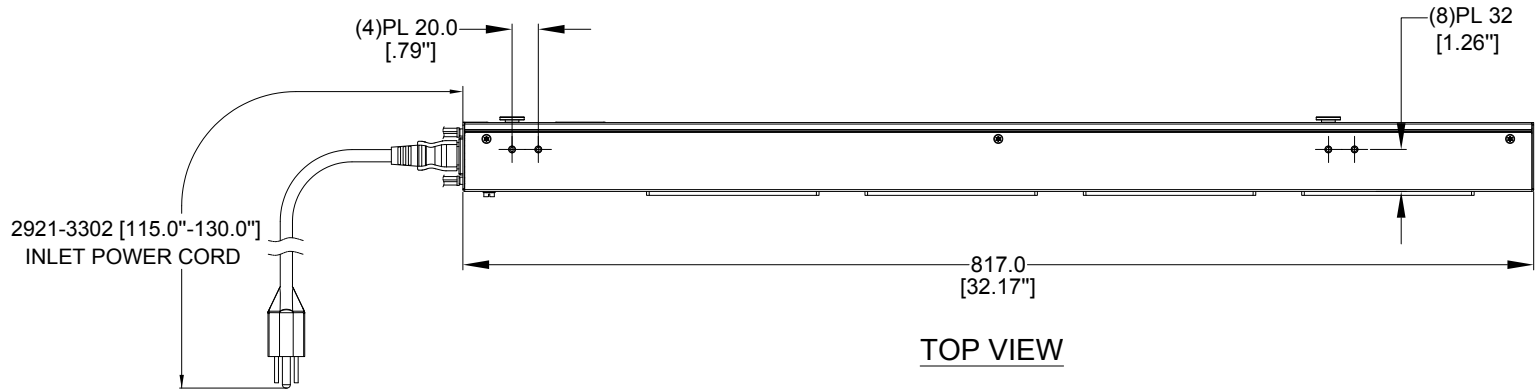


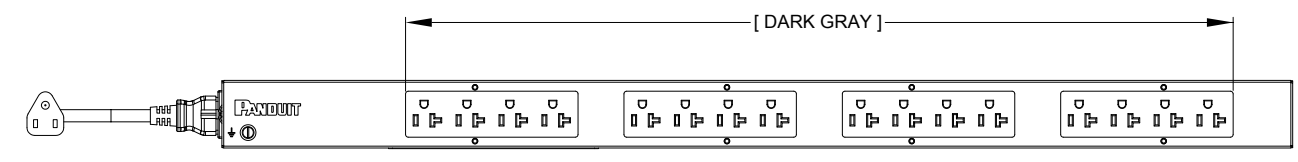
| | |
|-------------|--------|
| PANDUIT P/N | WEIGHT |
| P16B04M | 2.0kg |



REAR VIEW



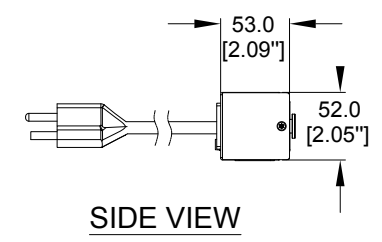
TOP VIEW



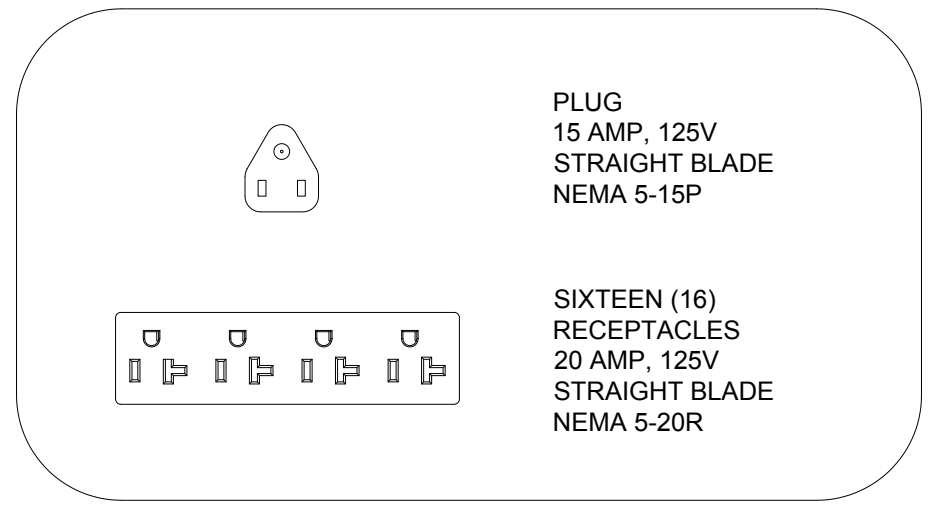
FRONT VIEW

NOTES:

- IDENTIFICATION:
 - UNIT TYPE: BASIC
 - ORIENTATION: VERTICAL, HALF
 - OUTLET QTY&TYPE: (16) 5-20R
 - BREAKER QTY&TYPE: N/A
 - INPUT VOLTAGE: 100-120VAC
 - INPUT CURRENT: 15A (12A DERATED)
 - INPUT PHASE: SINGLE-PHASE
 - RATED POWER: 1.9kVA
 - INPUT PLUG: NEMA 5-15P
 - INPUT CORD LENGTH: 3m [10']
- ACCESSORIES:
 - POCKET GUIDE
- RoHS COMPLIANT
- VISIT PANDUIT'S ON-LINE CATALOG AT WWW.PANDUIT.COM FOR ADDITIONAL PRODUCT INFORMATION CONTAINED IN THE SPECIFICATION SHEET AS WELL AS A CURRENT LIST OF PRODUCTS APPLICABLE FOR USE WITH THIS PART
- MAXIMUM ALLOWABLE INPUT POWER = 1.9kW
- INSTALLATION SHALL COMPLY WITH ALL APPLICABLE NATIONAL, STATE, AND LOCAL CODES



SIDE VIEW



| REV | DATE | BY | CHK | APR | DESCRIPTION | ECN |
|-----|------------|------|-----|-----|--------------------------------------|---------|
| 01B | 08/21/2017 | ZHAI | MIM | EDM | REVISED TOLERANCES AND INPUT CURRENT | P16B04M |
| 01A | 06/28/2017 | ZHAI | MIM | EDM | INITIAL RELEASE | P16B04M |

| | | |
|------------------------------------------------------------------------------------------------------------------------------------------------------------------------------------------------------------|---------------------------------------|-------------------------------|
| WE ASK THAT YOU CHECK FULLY THE DIMENSIONS, NOTES, AND SIGN THE CLIENT SIGNATURE BOX. THE JOB WILL NOT PROGRESS WITHOUT SIGNED APPROVAL. PLEASE DO NOT DELAY IN RETURNING PROOF AS IT WILL AFFECT DELIVERY | | SIGN |
| | | DATE |
| | | PRINT |
| TITLE BASIC SERIES PDU P16B04M CUSTOMER DRAWING | | |
| ITEM REVISION NAME | | PANDUIT |
| DATASHEET FILE NAME: | | |
| UNLESS OTHERWISE SPECIFIED DIMENSIONAL TOLERANCE ARE: mm [IN] | | MATERIAL/COLOR: N/A |
| Tolerance(mm) 04<L<50 ±0.5 50<L<250 ±1.0 250<L<500 ±1.5 500<L<1000 ±2.5 1000<L<2000 ±4.0 | | DRAWING NUMBER: P16B04M_DC |
| THIRD ANGLE PROJECTION | DRAWN BY: DI.ZHAI DATE: 05/24/2017 | SCALE: NONE SHT 1 OF 1 |
| CHK: SEAN | SCALE: NONE | SCALE: B |