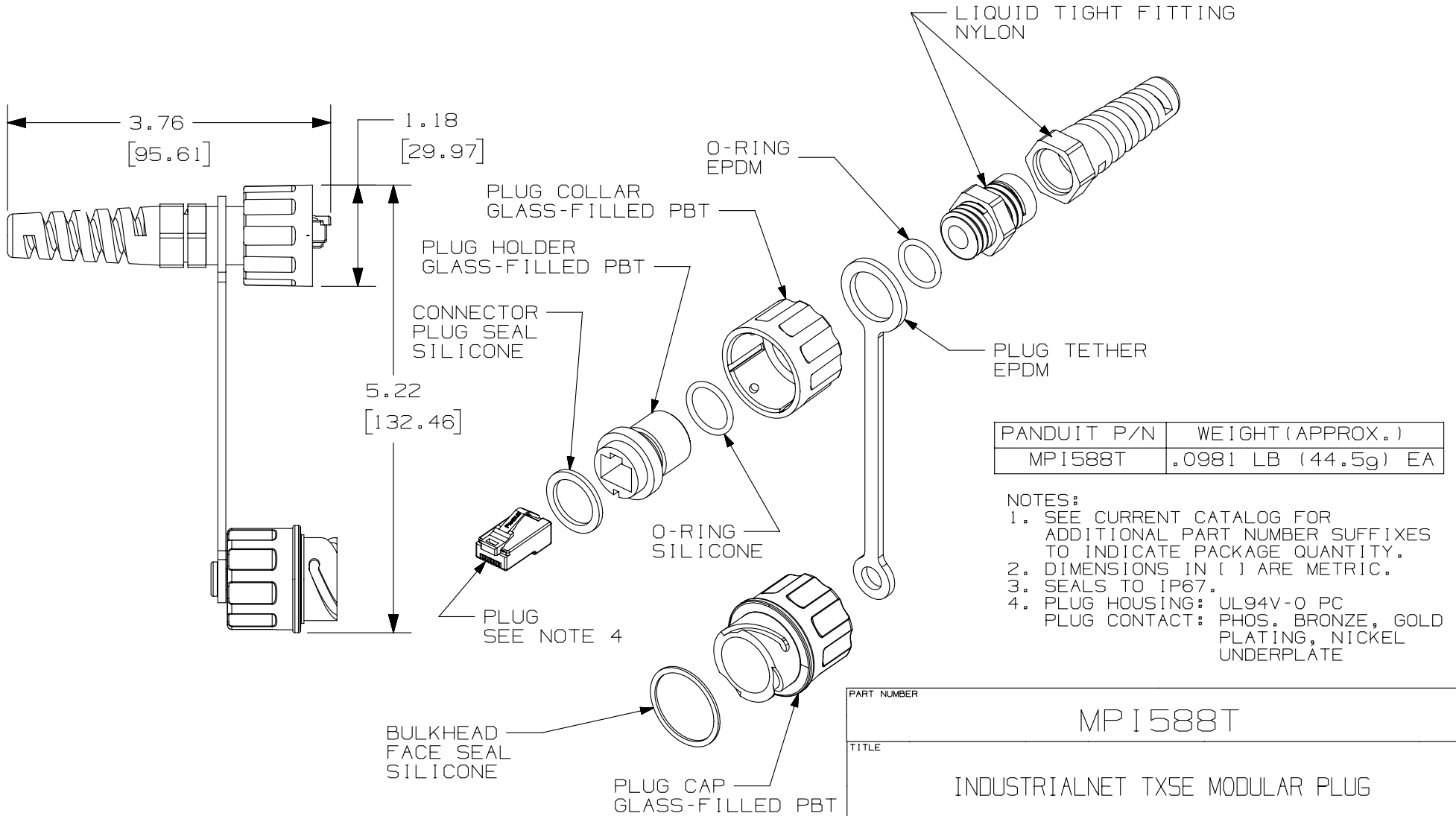


THIS COPY IS PROVIDED ON A RESTRICTED BASIS AND IS NOT TO BE USED IN ANY WAY DETRIMENTAL TO THE INTERESTS OF PANDUIT CORP.



| PANDUIT P/N | WEIGHT (APPROX.)    |
|-------------|---------------------|
| MPI588T     | .0981 LB (44.5g) EA |

- NOTES:
- SEE CURRENT CATALOG FOR ADDITIONAL PART NUMBER SUFFIXES TO INDICATE PACKAGE QUANTITY.
  - DIMENSIONS IN [ ] ARE METRIC.
  - SEALS TO IP67.
  - PLUG HOUSING: UL94V-0 PC  
PLUG CONTACT: PHOS. BRONZE, GOLD PLATING, NICKEL UNDERPLATE

|   |  |                        |  |
|---|--|------------------------|--|
| PART NUMBER   |  | MPI588T                |  |
| TITLE   |  |                        |  |
| INDUSTRIALNET TXSE MODULAR PLUG                                   |  |                        |  |
| CUSTOMER DRAWING  |  |                        |  |
| ITEM REVISION NAME  |  | M01245CF/04            |  |
| DATASET FILE NAME   |  | M01245CF_DC24/04A      |  |
| UNLESS OTHERWISE SPECIFIED, DIMENSIONAL TOLERANCES ARE: IN [ mm ] |  | MATERIAL:              |  |
| .x ± .xxx ± .010 [ .3 ]   |  | DRAWING NUMBER:        |  |
| .xx ± .03 [ .8 ]  |  | 01245-24               |  |
| ANGLES ±  |  | THIRD ANGLE PROJECTION |  |
| DRAWN BY  |  | SCALE                  |  |
| MDJR  |  | NONE                   |  |
| DATE  |  | SHT 1 OF 1             |  |
| 5-30-03   |  | A                      |  |
| CHK   |  | SIZE                   |  |
| KLR   |  | A                      |  |

| REV | DATE    | BY   | CHK  | APR | DESCRIPTION   | ECN      |
|-----|---------|------|------|-----|---|----------|
| 6   | 4-21-14 | MDJR | REFR | GAZ | REVISED AND REDRAWN, ALL PREVIOUS REVISIONS HAVE BEEN OMITTED.<br>A. UPDATED TITLE BLOCK. | 01245-24 |

D101000DA/14

2

1

2

1