

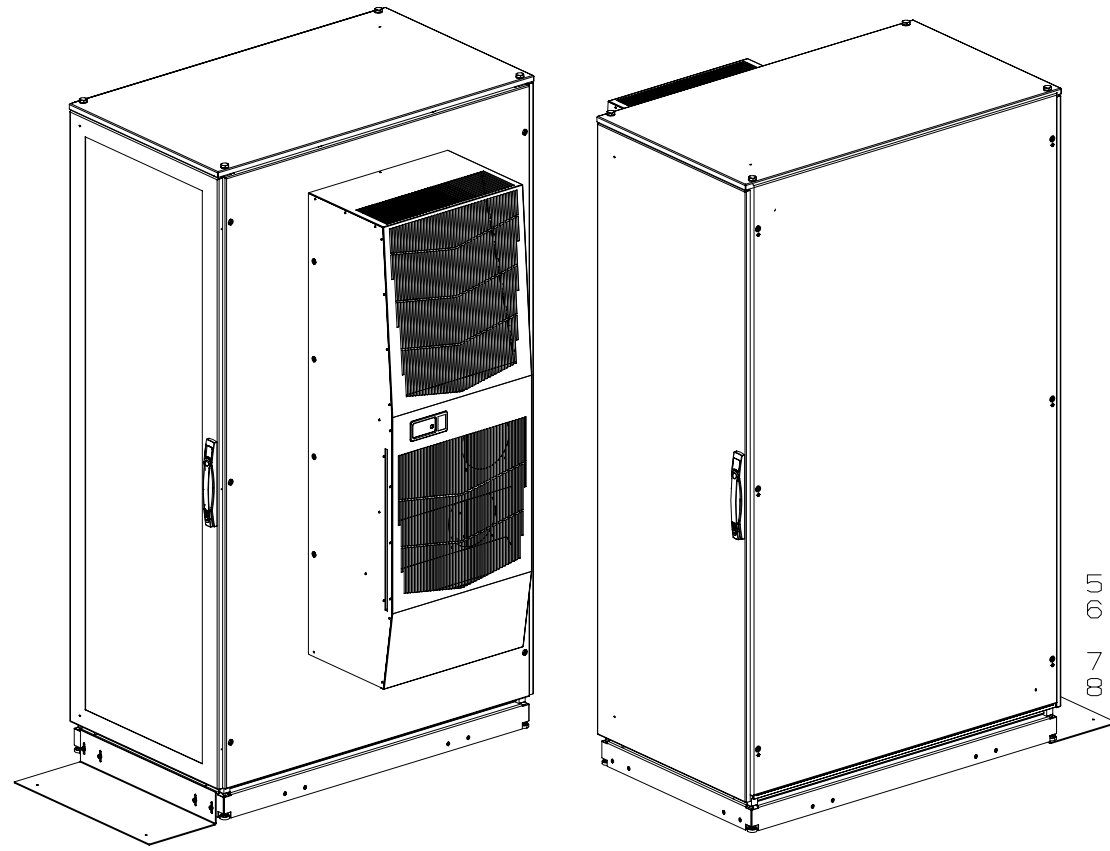
THIS COPY IS PROVIDED ON A RESTRICTED BASIS AND IS NOT TO BE USED IN ANY WAY DETRIMENTAL TO THE INTERESTS OF PANDUIT CORP.

PART NUMBER	DESCRIPTION
MDC82NN	42 RU NEMA TYPE 12 MDC WITH NO SIDE PANEL CUTOUT
MDC82NS	42 RU NEMA TYPE 12 MDC WITH SIDE PANEL CUTOUT FOR 12K BTU AC
MDC82NL	42 RU NEMA TYPE 12 MDC WITH SIDE PANEL CUTOUT FOR 20K BTU AC

TABLE 1

NOTES:

- VISIT OUR ON-LINE CATALOG AT PANDUIT.COM FOR A LIST OF PARTS COMPATIBLE FOR USE WITH THIS PRODUCT.
- THIS PRODUCT COMPLIES TO PANDUIT FORM C2-0834, SPECIFICATION FOR CHEMICAL SUBSTANCES TO BE CONTROLLED IN PRODUCT AND PACKAGING FORMS C2-0834 AND C2-0835 APPENDIX A AND B
- WEIGHT: 500 LB (227 KG)
- PART INCLUDES:
 - ONE SOLID SIDE PANEL
 - ONE SIDE PANEL (SOLID, SMALL OR LARGE AC OPENINGS). SEE TABLE 1.
 - NETWORK CABLING AND CONNECTIVITY.
 - (18) STP28X-SERIES CABLES TO CONNECT SERVERS AND SWITCHES IN INTERNATIONAL GREY AND BLUE COLORS.
 - CJS6X88TGY CAT 6A SHIELDED JACKS PROVIDED.
 - TOOLLESS BLANKING PANELS.
 - FCE1UA - FIBER MANAGEMENT TRAY.
 - CPPL24WBLY - 24 PORT PATCH PANEL AND BLANKS.
 - VERTICAL CABLE MANAGEMENT FINGERS.
 - CABINET GROUNDING.
 - RGRB19CN - UNIVERSAL 20 PORT GROUND BAR.
 - RGCBNJ660P22 - CBN GROUNDING KIT.
 - 55" EQUIPMENT GROUNDING JUMPERS.
 - ACCESSORIES.
 - HOOK AND LOOP.
 - 12-24 BONDING AND STANDARD CAGE NUTS AND SCREWS.
 - ESD PORTS AND WRIST STRAPS.
- NEMA RATING: NEMA TYPE 12.
- FULLY BONDED STRUCTURE WHEN ASSEMBLED PER INSTRUCTIONS.
- NETWORK EQUIPMENT NOT INCLUDED.
- AC UNITS ORDERED SEPARATELY THROUGH rVENT (SEE SHEET 2 FOR DETAILS).



FRONT AND RIGHT SIDE

REAR AND LEFT SIDE

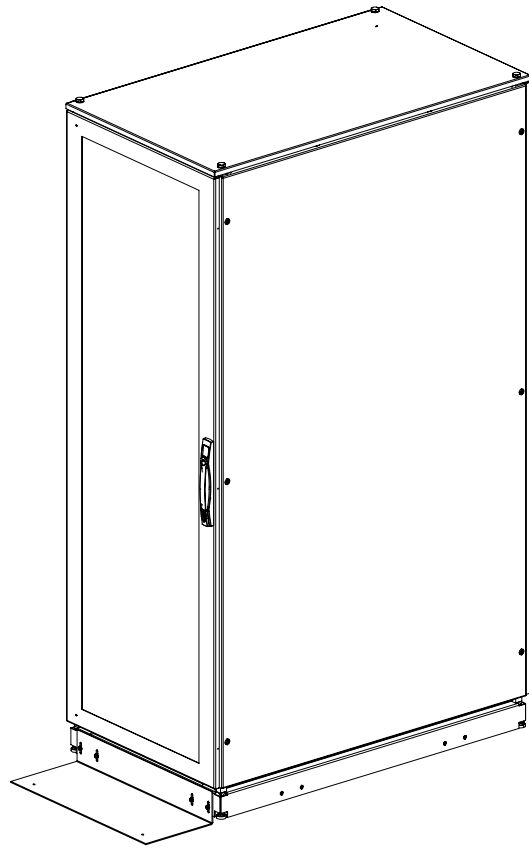
AC FOR VISUAL REFERENCE ONLY

PART NUMBER		SEE TABLE 1		
TITLE				
MDC82 SERIES INDUSTRIAL NEMA TYPE 12 MICRO DATA CENTER				
CUSTOMER DRAWING				
ITEM REVISION NAME		00084EAD/02		
DATASET FILE NAME		00084EAD_DC/02A		
		THIRD ANGLE PROJECTION		
MATERIAL		NA		
DRAWING NUMBER		00084EAD-DC		
DRAWN BY	DATE	CHK	SCALE	SIZE
JBO	7/16/18	MW	NONE	A

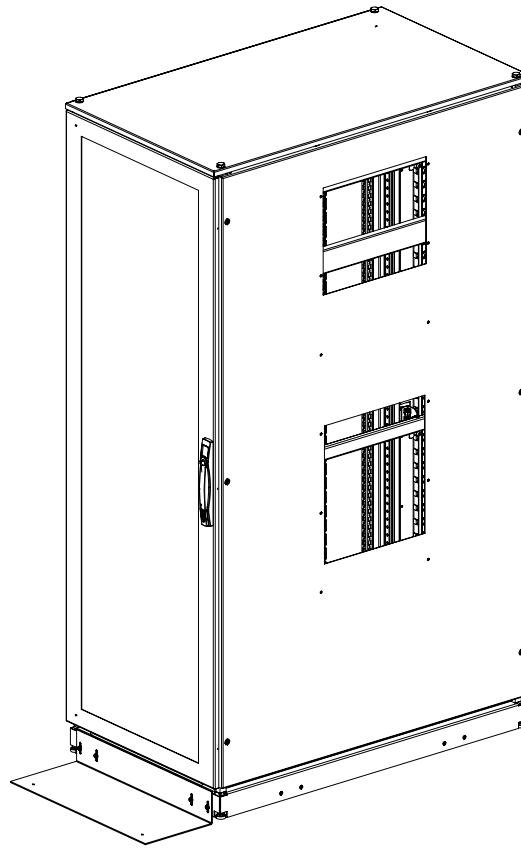
REV	DATE	BY	CHK	APR	DESCRIPTION	ECN
02A	8/8/18	JBO	MRWA	KGA	INITIAL RELEASE	00084EAD-DC

A-SIZE CUSTOMER

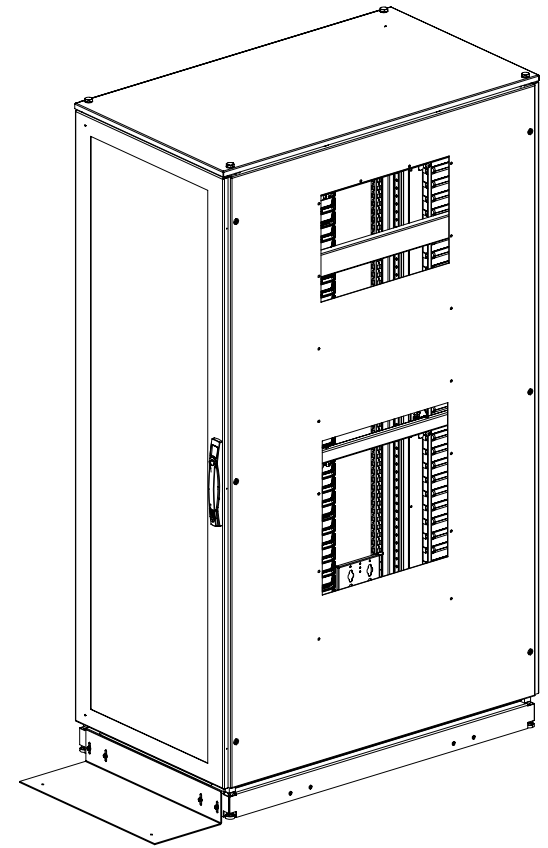
THIS COPY IS PROVIDED ON A RESTRICTED BASIS AND IS NOT TO BE USED IN ANY WAY DETRIMENTAL TO THE INTERESTS OF PANDUIT CORP.



MDCB2NN

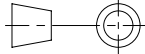


MDC82NS¹



MDC82NL²

- NOTES:
1. SIDE PANEL CUTOUT FOR SPECTRACOOL G52 AC UNIT THROUGH PANEL.
 2. SIDE PANEL CUTOUT FOR SPECTRACOOL G57 AC UNIT THROUGH PANEL.

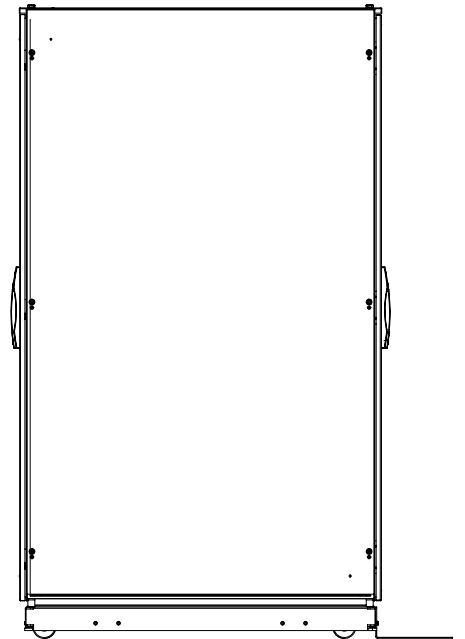
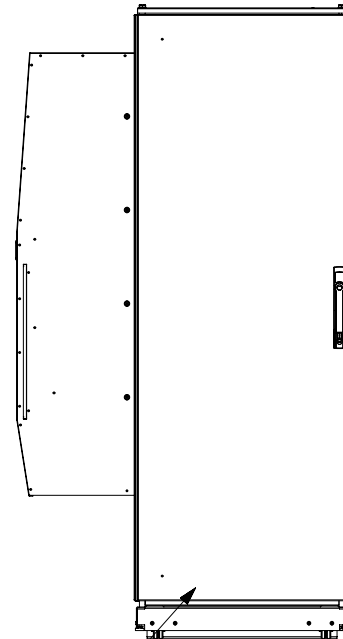
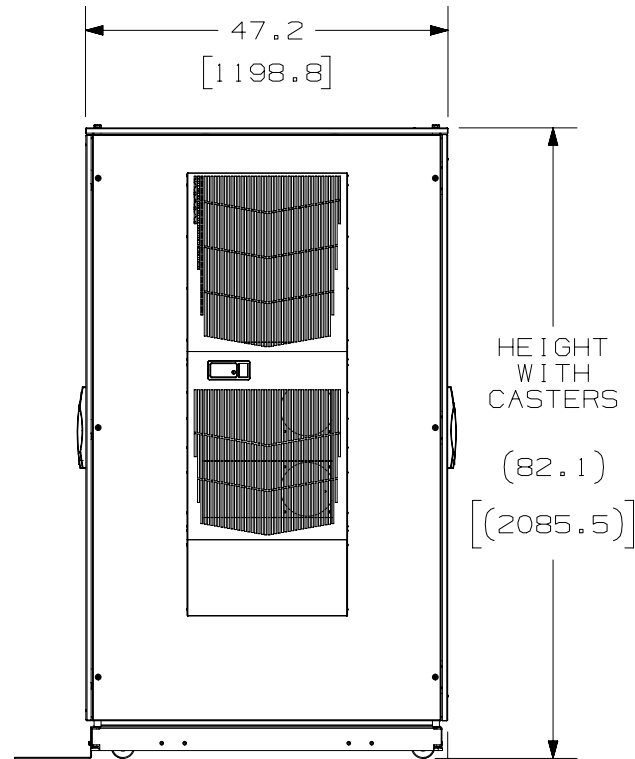
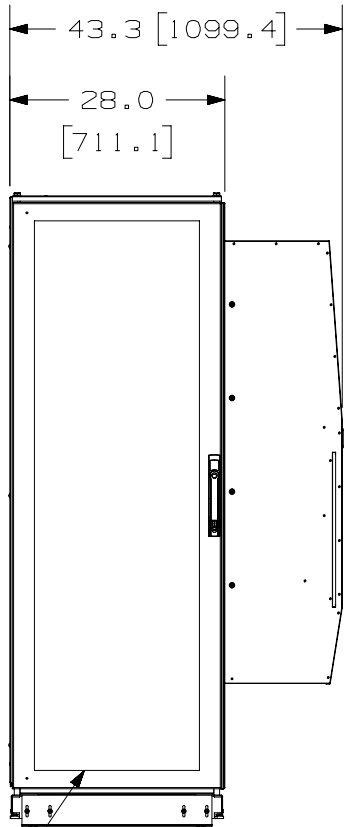
TITLE		MDC82 SERIES INDUSTRIAL NEMA TYPE 12 MICRO DATA CENTER	
CUSTOMER DRAWING			
ITEM REVISION NAME		00084EAD/02	
DATASET FILE NAME		00084EAD_DC/02A	
		THIRD ANGLE PROJECTION	
MATERIAL		N/A	
DRAWING NUMBER		00084EAD-DC	
REV	DATE	BY	CHK
02A	8/30/18	JBO	MW
REV	DATE	BY	CHK
02A	8/30/18	JBO	MW
DESCRIPTION	ECN	SCALE	SIZE
INITIAL RELEASE	00084EAD-DC	NONE	A
SHEET 2 OF 4			

A-SIZE CUSTOMER

THIS COPY IS PROVIDED ON A RESTRICTED BASIS AND IS NOT TO BE USED IN ANY WAY DETRIMENTAL TO THE INTERESTS OF PANDUIT CORP.

2

1



FRONT WINDOW DOOR

LENGTH WITH FLOOR MOUNTING BRACKET

BACK SOLID DOOR

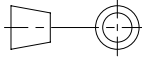
FRONT VIEW

RIGHT VIEW

BACK VIEW

LEFT VIEW

IMAGES SHOWN WITH 20K BTU AC

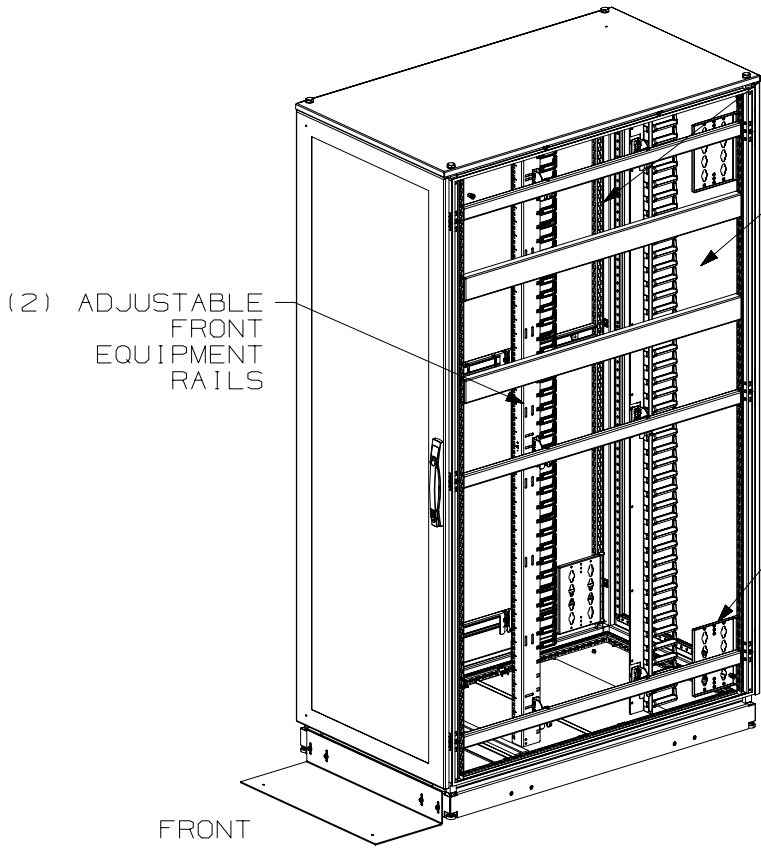
TITLE												
MDC82 SERIES INDUSTRIAL NEMA TYPE 12 MICRO DATA CENTER												
CUSTOMER DRAWING												
ITEM REVISION NAME					00084EAD/02							
DATASET FILE NAME					00084EAD_DC/02A							
					THIRD ANGLE PROJECTION							
MATERIAL					N/A							
DRAWING NUMBER					00084EAD-DC							
02A	8/30/18	JBO	MRWA	KGA	INITIAL RELEASE	00084EAD-DC						
REV	DATE	BY	CHK	APR	DESCRIPTION	ECN	DRAWN BY	DATE	CHK	SCALE	DRAWING NUMBER	SIZE
							JBO	7/16/18	MW	NONE	SHEET 3 OF 4	A

A-SIZE CUSTOMER

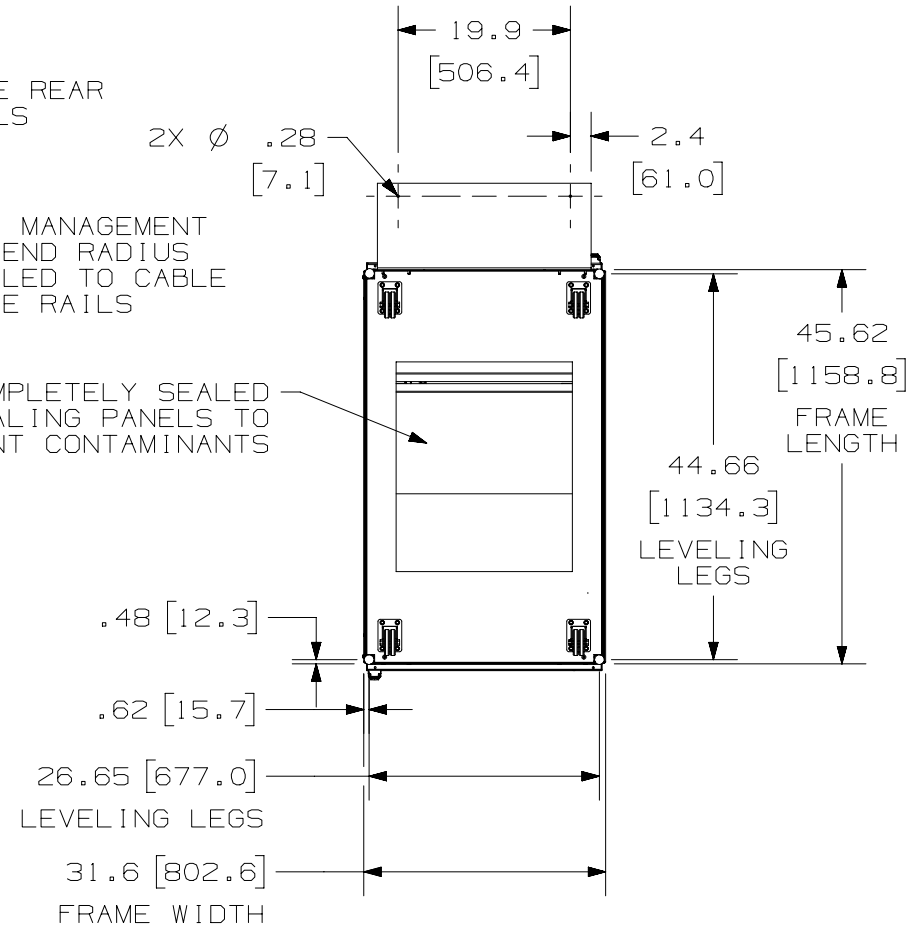
2

1

THIS COPY IS PROVIDED ON A RESTRICTED BASIS AND IS NOT TO BE USED IN ANY WAY DETRIMENTAL TO THE INTERESTS OF PANDUIT CORP.



FLOOR COMPLETELY SEALED FLOOR SEALING PANELS TO PREVENT CONTAMINANTS



TITLE
MDC82 SERIES INDUSTRIAL NEMA TYPE 12 MICRO DATA CENTER

CUSTOMER DRAWING

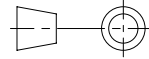
ITEM REVISION NAME
00084EAD/02

DATASET FILE NAME
00084EAD_DC/02A

MATERIAL
N/A

DRAWING NUMBER
00084EAD-DC

DRAWN BY: **JBO** DATE: **7/16/18** CHK: **MW** SCALE: **NONE**



THIRD ANGLE PROJECTION

REV	DATE	BY	CHK	APR	DESCRIPTION	ECN
02A	8/30/18	JBO	MRWA	KGA	INITIAL RELEASE	00084EAD-DC

A-SIZE CUSTOMER