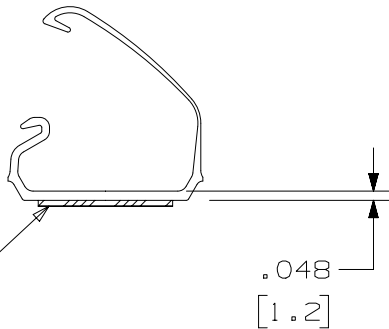
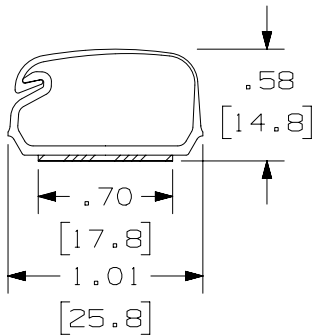


THIS COPY IS PROVIDED ON A RESTRICTED BASIS AND IS NOT TO BE USED IN ANY WAY DETRIMENTAL TO THE INTERESTS OF PANDUIT CORP.



ADHESIVE BACKING
PRESSURE SENSITIVE
FOAM .040 (1.0) THICK
WITH PROTECTIVE LINER.
OPEN VIEW

PART NAME	PANDUIT PART NUMBER (SEE NOTE 1)	LENGTH IN. (MM.)	STATIC LOAD (SEE NOTE 2)	APPROX. WEIGHT
LATCHING DUCT	LD5**6-A	72.0±.13 (1829±3.3)	.39 lbs/in (7.0 g/mm)	.089 lbs/ft (.133 g/mm)
	LD5**8-A	96.0±.13 (2438±3.3)	.39 lbs/in (7.0 g/mm)	.089 lbs/ft (.133 g/mm)
	LD5**10-A	120.0±.13 (3048±3.3)	.39 lbs/in (7.0 g/mm)	.089 lbs/ft (.133 g/mm)
	LD5**2-A	78.74±.13 (2000.0±3.3)	.39 lbs/in (7.0 g/mm)	.089 lbs/ft (.133 g/mm)
	LD5**3-A	118.11±.13 (3000.0±3.3)	.39 lbs/in (7.0 g/mm)	.089 lbs/ft (.133 g/mm)

NOTES:

- SEE CURRENT CATALOG FOR ADDITIONAL PART NUMBER SUFFIXES TO INDICATE COLOR AND OR PACKAGE QUANTITY.
- PART IS DESIGNED TO SUPPORT MAXIMUM WEIGHT ON A CLEAN, DRY, SMOOTH SURFACE. THE SURFACE MUST BE PROPERLY PREPARED IN ACCORDANCE WITH PANDUIT RECOMMENDATIONS.
- TO APPLY PART:
 - REMOVE PROTECTIVE LINER.
 - PLACE PART IN DESIRED LOCATION.
 - APPLY PRESSURE TO FLAT SURFACE OF PART.

NO WARRANTY, EXPRESSED OR IMPLIED, IS MADE BY PANDUIT WITH RESPECT TO ADHESIVE BOND PERFORMANCE. AMONG OTHER THINGS, THE CONDITIONS UNDER WHICH THESE MOUNTS MAY BE APPLIED AND/OR THE SURFACE TO WHICH THEY MAY BE APPLIED ARE BEYOND PANDUIT'S CONTROL.

DIMENSIONS IN PARENTHESES ARE IN METRIC.

REV	DATE	BY	CHK	APR	DESCRIPTION	ECN	DRAWN BY		DATE	CHK	SCALE	SHT 1 OF 1		SIZE
03A	11-06-19	BSN	BETL	ELN	P. UPDATED LENGTH TOLERANCE TO MATCH CONTROL DWG	SS-15247	RS		02-19-79	HVP	FULL			A
15	02-20-13	JBN	RTFI	RTFI	N. UPDATED DRAWING BORDER & TITLE BLOCK	SS-15247								

TITLE		LATCHING DUCT LD5	
CUSTOMER DRAWING			
ITEM REVISION NAME	D15247BA/03		
DATASET FILE NAME	D15247BA_DC_LD5/03A		
UNLESS OTHERWISE SPECIFIED, DIMENSIONAL TOLERANCES ARE: IN (mm)	MATERIAL:		
.X ± .XX ± .03 [.8]	PVC		
.XXX ± ANGLES ±	DRAWING NUMBER:		
THIRD ANGLE PROJECTION	SS-15247		

D10100DA/14