

FIGURE 1

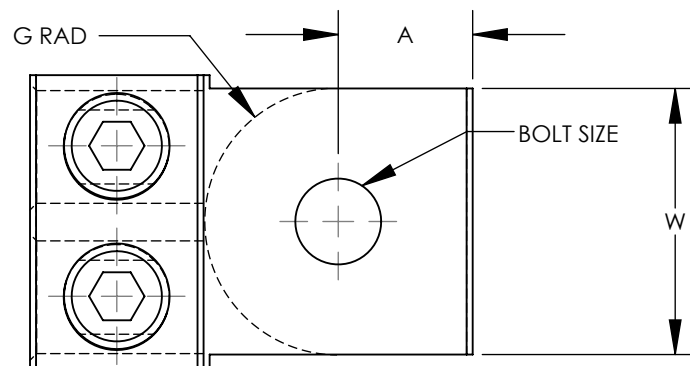
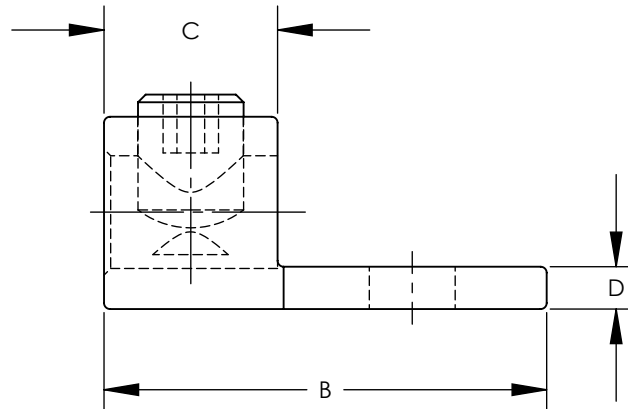
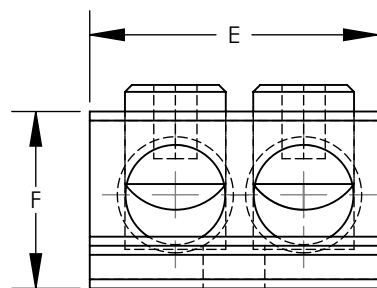
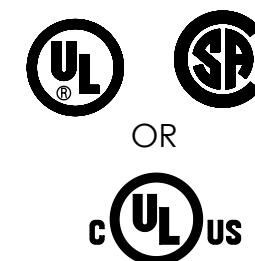


FIGURE 2

NOTES:

1. MATERIAL:
BODY - ALUMINUM, TIN PLATED
SCREW - ALUMINUM, TIN PLATED
2. UL LISTED, CSA CERTIFIED, OR cULus FOR USE UP TO 600V & TEMPERATURE RATED 90°C (AL9CU)
3. DUAL RATED FOR USE WITH COPPER OR ALUMINUM STRANDED CODE CONDUCTOR
4. THESE PARTS ARE RoHS COMPLIANT
5. USE OF OXIDE INHIBITING JOINT COMPOUND LIKE PANDUIT CMP-100 RECOMMENDED FOR PAD TO PAD AND CONDUCTOR SURFACES
6. SEE PACKAGING LABEL FOR TIGHTENING TORQUE INFORMATION
7. PKG QTY:
6 = 6



| PART NUMBER | FIGURE | WIRE RANGE COPPER/ALUMINUM | WIRE STRIP LENGTH - IN [mm] | STUD SIZE IN | DIMENSIONS - IN [mm] | | | | | | | | HEX KEY* | AGENCY |
|-----------------|--------|----------------------------|-----------------------------|--------------|----------------------|---------------|--------------|--------------|-------------|--------------|--------------|---------------|----------|----------|
| | | | | | A ± .02 [.5] | B ± .05 [1.3] | C ± .03 [.8] | D ± .03 [.8] | E ± .04 [1] | F ± .03 [.8] | G ± .02 [.5] | W ± .05 [1.3] | | |
| LAM2A1/0-14-6Y | 1 | 14 AWG - 1/0 AWG | .62 [15.7] | 1/4 | 0.43 [10.8] | 1.48 [37.5] | 0.63 [15.9] | 0.19 [4.7] | 1.13 [28.7] | 0.77 [19.5] | 0.42 [10.7] | N/A | SLOTTED | cULus |
| LAM2A2/0-14-6Y | 1 | 14 AWG - 2/0 AWG | .62 [15.7] | 1/4 | 0.43 [10.8] | 1.46 [37.2] | .63 [15.9] | 0.19 [4.7] | 1.25 [31.8] | 0.77 [19.5] | 0.42 [10.7] | N/A | 3/16 | cULus |
| LAM2A250-38-6Y | 2 | 6 AWG - 250 kcmil | 1.00 [25.4] | 3/8 | 0.51 [13.0] | 2.58 [65.5] | 1.01 [25.6] | 0.26 [6.5] | 1.64 [41.6] | 1.19 [30.3] | 1.05 [26.7] | 1.50 [38.0] | 5/16 | cULus |
| LAM2A350-12-6Y | 2 | 6 AWG - 350 kcmil | 1.13 [28.6] | 1/2 | 0.88 [22.2] | 2.88 [73.2] | 1.13 [28.7] | 0.28 [7] | 1.91 [48.4] | 1.25 [31.8] | 0.86 [21.8] | 1.73 [44.0] | 5/16 | cULus |
| LAM2A600-12-6Y | 2 | 2 AWG - 600 kcmil | 1.38 [34.9] | 1/2 | 0.63 [16.0] | 3.19 [81.0] | 1.38 [34.9] | 0.44 [11.2] | 2.38 [60.5] | 1.56 [39.6] | 1.19 [30.2] | 2.00 [50.8] | 3/8 | UL & CSA |
| LAM2A1000-58-6Y | 1 | 500 kcmil - 1000 kcmil | 1.63 [41.4] | 5/8 | 0.88 [22.2] | 3.50 [88.9] | 1.63 [41.4] | 0.50 [12.7] | 3.50 [88.9] | 1.94 [49.3] | 1.00 [25.4] | N/A | 3/8 | UL & CSA |

* HEX SIZE MAY DIFFER FROM CHART. DIFFERENCE IN SIZE WILL NOT AFFECT FIT, FORM, OR FUNCTION OF PART

| | | | | | | | | | | | | |
|-------------------------------|--------|------|----------------|-------------|---|--------|--|--|------|-------|--------------|------|
| 09 | 1/2020 | JHNU | RGB | RGB | REVISED B DIM FOR LAM2A1/0-14-6Y: 1.48 [37.5] WAS 1.47 [37.3] REVISED C DIM FOR LAM2A1/0-14-6Y: .63 [15.9] WAS .62 [15.7] REVISED D DIM FOR LAM2A1/0-14-6Y: .19 [4.7] WAS .19 [4.8] REVISED E DIM FOR LAM2A1/0-14-6Y: 1.13 [28.7] WAS 1.13 [28.7] REVISED F DIM FOR LAM2A1/0-14-6Y: .77 [19.5] WAS .78 [19.9] REVISED B DIM FOR LAM2A2/0-14-6Y: 1.46 [37.2] WAS 1.47 [37.3] REVISED C DIM FOR LAM2A2/0-14-6Y: .63 [15.9] WAS .62 [15.7] REVISED D DIM FOR LAM2A2/0-14-6Y: .19 [4.7] WAS .19 [4.8] REVISED E DIM FOR LAM2A2/0-14-6Y: 1.25 [31.8] WAS 1.20 [30.6] REVISED F DIM FOR LAM2A2/0-14-6Y: .77 [19.5] WAS .78 [19.9] REVISED B DIM FOR LAM2A250-38-6Y: 2.58 [65.5] WAS 2.56 [65.1] REVISED C DIM FOR LAM2A250-38-6Y: 1.01 [25.6] WAS 1.00 [25.4] REVISED D DIM FOR LAM2A250-38-6Y: .26 [6.5] WAS .25 [6.4] REVISED E DIM FOR LAM2A250-38-6Y: 1.64 [41.6] WAS 1.64 [41.7] REVISED F DIM FOR LAM2A250-38-6Y: 1.19 [30.3] WAS 1.19 [30.2] | 057109 | TITLE | LAM2A SERIES ALUMINUM MECHANICAL LUGS CUSTOMER DRAWING | | | | |
| | | | | | | | ITEM REVISION NAME | 10N006AT/10 | | | | |
| | | | | | | | DATASET FILE NAME | 10N006AT-NC/10.SLDDRW | | | | |
| | | | | | | | UNLESS OTHERWISE SPECIFIED, DIMENSIONAL TOLERANCES ARE: IN [mm] | | | | | |
| .X ± .XXX ± .XX ± ANGLES ± | | | MATERIAL | SEE NOTES | | | | | | | | |
| THIRD ANGLE PROJECTION | | | DRAWING NUMBER | 10N006AT-NC | | | | | | | | |
| REV | DATE | BY | CHK | APR | DESCRIPTION | ECN | DRAWN BY | DATE | CHK | SCALE | SHEET 1 OF 1 | SIZE |
| | | | | | | | JHNU | 2/06 | JHNU | NONE | | B |