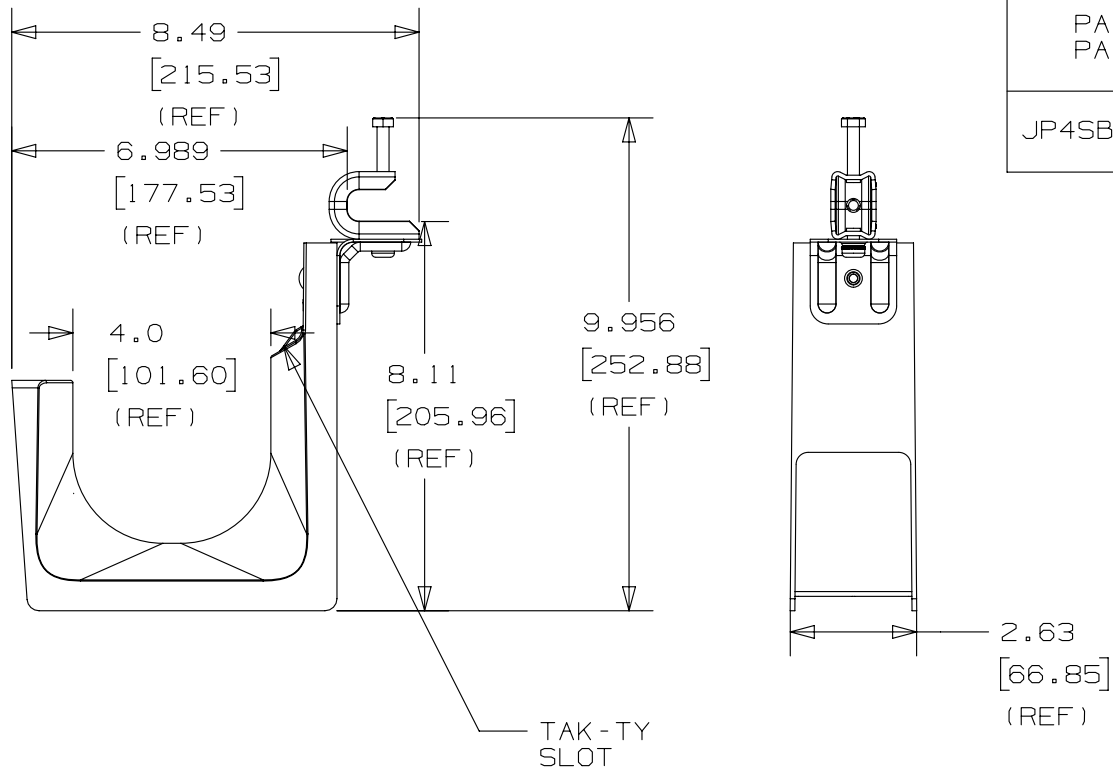
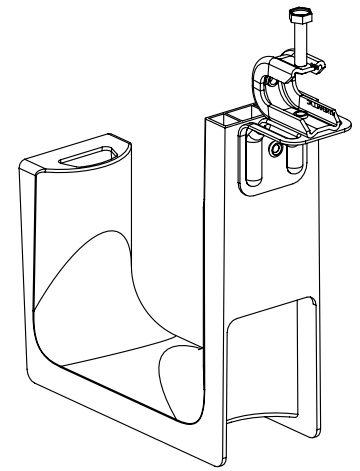


THIS COPY IS PROVIDED ON A RESTRICTED BASIS AND IS NOT TO BE USED IN ANY WAY DETRIMENTAL TO THE INTERESTS OF PANDUIT CORP.



PANDUIT PART NO.	FLANGE THICKNESS	WEIGHT 10pcs lbs (g)
JP4SBC50RB----	UP TO 0.50 [12.7]	6.36 (2884)



NOTES:

- SEE CURRENT PRICE SHEET FOR PART NUMBER SUFFIX DESIGNATION FOR PACKAGE SIZE AND PRODUCT COLOR.
- HOOK MATERIAL: NYLON 6/6
ANGLE BRACKET MATERIAL: PRE-GALVANIZED STEEL
RIVET MATERIAL: ALUMINUM
CLAMP MATERIAL: PLATED STEEL
BOLT/WASHER MATERIAL: ZINC PLATED STEEL
- PRODUCT IS DESIGNED TO SUPPORT A MAXIMUM OF 4" (19.05) DIAMETER BUNDLE. MAXIMUM RECOMMENDED STATIC LOAD: 50 lbs.
- PRODUCT INCORPORATES FEATURES ALLOWING USER TO RETAIN CABLE BUNDLES IN J-PRO J-HOOK WITH TAK-TY CABLE TIES UP TO 3/4" WIDE.
- PRODUCT MARKINGS:
cULus logo and statement:
"SUITABLE FOR USE IN AIR HANDLING SPACES IN ACCORDANCE WITH SECTION 300-22 (C) & (D) OF THE NATIONAL ELECTRIC CODE."
ULC logo and statement:
"IN ACCORDANCE WITH CAN/ULC S-102.2-10 IN SINGLE UNITS , MINIMUM 4 ft (1220mm) MIN. SPACING, FSR=0, SDC=35."

TITLE J-PRO J-HOOK WITH 360° SCREW-ON BEAM CLAMP (JP4SBC50RB----)				
CUSTOMER DRAWING				
ITEM REVISION NAME 121031AP/00		PANDUIT TM		
DATASET FILE NAME 121031AP_DC_C11015/00A				
UNLESS OTHERWISE SPECIFIED, DIMENSIONAL TOLERANCES ARE: IN (mm)			MATERIAL: SEE NOTE 2	
.x ± .1 [2.54]		.xxx ± .005 [0.127]		
.xx ± .01 [0.25]		ANGLES ± 5°		
		DRAWING NUMBER: C11015		
DRAWN BY DBLA	DATE 1/25/2013	CHK KLN	SCALE NONE	SHT 1 OF 1
REV		DATE	BY	CHK
APR		DESCRIPTION		ECN

OO	1/25/2013	DBLA	GGC	KLN	INITIAL RELEASE	GAECN00419
REV	DATE	BY	CHK	APR	DESCRIPTION	ECN

D10100DA/12