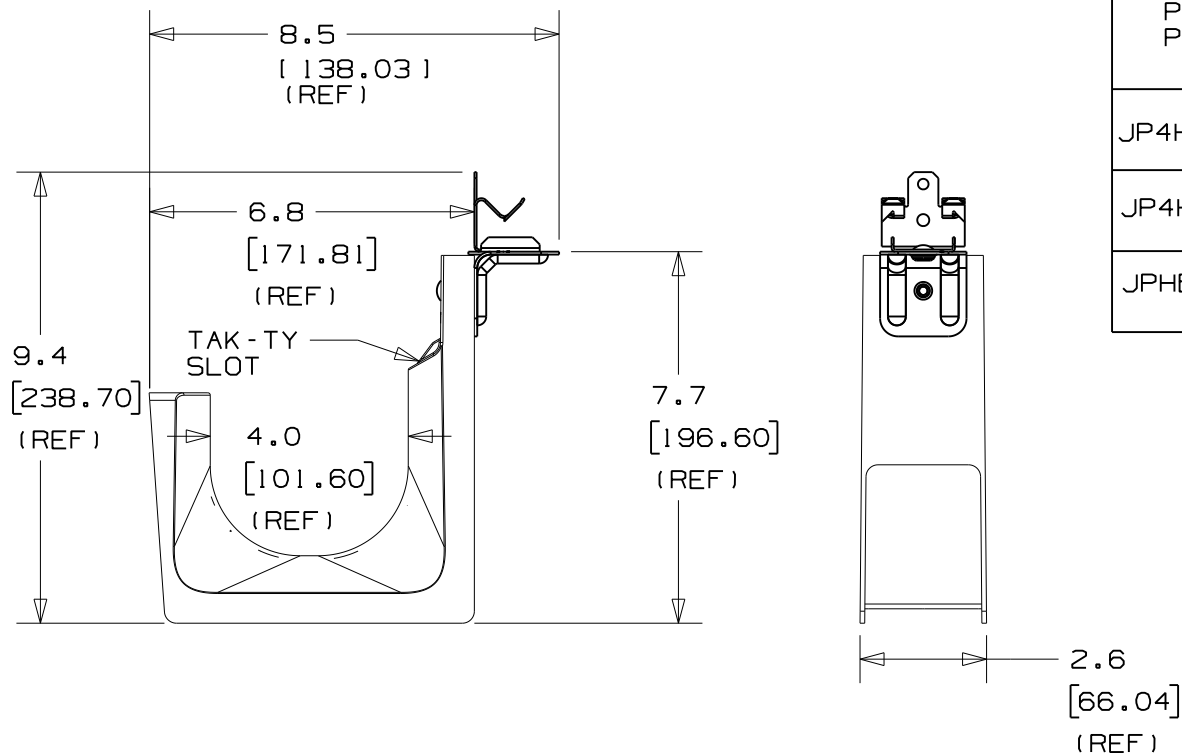
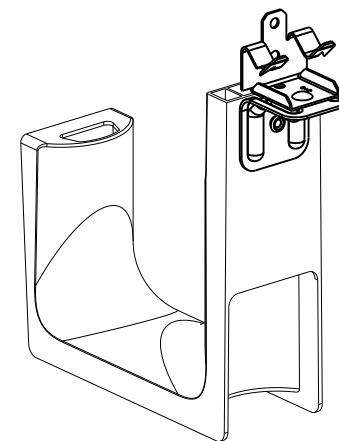


THIS COPY IS PROVIDED ON A RESTRICTED BASIS AND IS NOT TO BE USED IN ANY WAY DETRIMENTAL TO THE INTERESTS OF PANDUIT CORP.



PANDUIT PART NO.	FLANGE THICKNESS	WEIGHT 10pcs lbs (g)
JP4HBC25RB- ---	0.125 - 0.25 (3.18 - 6.35)	4.98 (2260)
JP4HBC50RB- ---	0.3125 - 0.50 (7.94 - 12.7)	
JPHBC75RB- ---	0.5625 - 0.75 (14.29 - 19.05)	



- NOTES:
- SEE CURRENT PRICE SHEET FOR PART NUMBER SUFFIX DESIGNATION FOR PACKAGE SIZE AND PRODUCT COLOR.
 - HOOK MATERIAL: NYLON 6/6
ANGLE BRACKET MATERIAL: PRE-GALVANIZED STEEL
RIVET MATERIAL: ALUMINUM
CLAMP MATERIAL: SPRING STEEL
 - PRODUCT IS DESIGNED TO SUPPORT A MAXIMUM OF 4.0" (101.6) DIAMETER BUNDLE. MAXIMUM RECOMMENDED STATIC LOAD: 50 lbs.
 - PRODUCT INCORPORATES FEATURES ALLOWING USER TO RETAIN CABLE BUNDLES IN J-PRO J-HOOK WITH TAK-TY CABLE TIES UP TO 3/4" WIDE.
 - PRODUCT MARKINGS:
cULus logo and statement:
"SUITABLE FOR USE IN AIR HANDLING SPACES IN ACCORDANCE WITH SECTION 300-22 (C) & (D) OF THE NATIONAL ELECTRIC CODE IN SINGLE UNIT CONFIGURATION ONLY, FOR USE INDOORS"
ULC logo and statement:
"LISTED IN ACCORDANCE WITH CAN/ULC S-102.2-10 MOUNTED IN SINGLE UNITS, MINIMUM SPACING OF 4ft (1220mm) BETWEEN MOUNT POINTS. FSR=0, SDC=35"

TITLE J-PRO J-HOOK WITH 360° HAMMER-ON BEAM CLAMP (JP4HBC__RB- ---) CUSTOMER DRAWING		PANDUIT TM
ITEM REVISION NAME 121031AL/00	MATERIAL: SEE NOTE 2	
DATASET FILE NAME 121031AL_DC_C11011/00A		DRAWING NUMBER: C11011
UNLESS OTHERWISE SPECIFIED, DIMENSIONAL TOLERANCES ARE: IN (mm) .x : .1 (2.54) .xxx : .005 (0.127) .xx : .01 (0.25) ANGLES : 5°		
THIRD ANGLE PROJECTION		
DRAWN BY DBLA	DATE 11/14/2012	CHK KLN
SCALE NONE		SIZE A
SHT 1 OF 1		

00	11/14/2012	DBLA	GGC	KLN	INITIAL RELEASE	GAENC00230
REV	DATE	BY	CHK	APR	DESCRIPTION	ECN

D1101000A/12