

THIS COPY IS PROVIDED ON A RESTRICTED BASIS AND IS NOT TO BE USED IN ANY WAY DETRIMENTAL TO THE INTERESTS OF PANDUIT CORP.

E LD STYLE BREAKOUTS ON EACH OF THE FOUR SIDE WALLS.



PANDUIT PART NO.	WEIGHT
JBP1D	2.8 LB/10 PCS (1271 g/10 PCS)

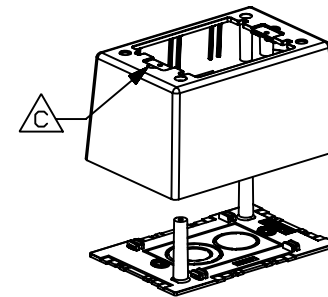
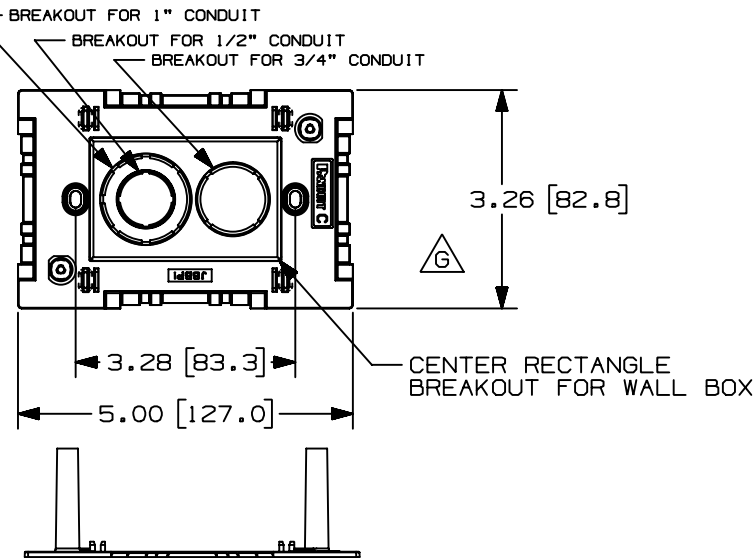
B

NOTES:

1. SEE CURRENT CATALOG FOR ADDITIONAL PART NUMBER SUFFIXES TO INDICATE COLOR AND/OR PACKAGE QUANTITY.
2. THIS PRODUCT IS INTENDED TO BE USED WITH PANDUIT TYPE LDS, LDP, LD, CD, PD, AND T45 RACEWAYS.
3. DIMENSIONS IN PARENTHESIS ARE IN METRIC.
4. THIS BOX CAN BE USED WITH AN OPTIONAL DIVIDER, PART NO. JBD1.

F

A



CAD FILENAME/LAYERS D35541CQ_JBP1D_C_03.PRT (1)

PANDUIT CORP. TINLEY PARK, ILLINOIS
POWER JUNCTION BOX - DEEP (JBP1D)
CUSTOMER DRAWING

REV	DATE	BY	CHK	DESCRIPTION	ECN	CHK	CUST	SUP
3	01-12-00	JHNU	HIW	G. REVISED GEOMETRY FOR T45 BREAKOUT F. ADDED T45 TO NOTE 2	35541-43	HIW	HIW	
2	03-23-99	DW	HIW	D. MAT'L WAS ABS/PC.; E. CORRECTED BREAKOUTS B. REV'D PART WEIGHT.; C. REV'D FEATURE, NOTED	35541-43	HIW	HIW	
1	05-22-98	DW	HIW	A. NOTE 4 PART NO. WAS JB1	35541-43	HIW	HIW	
R	09-26-96	PM	CEF	RELEASED TO PRODUCTION	35541-43	CEF		

UNLESS OTHERWISE SPECIFIED, DIMENSIONAL TOLERANCES ARE: (.X) ± (.XXX) ±.010(.3) (.XX) ±.03(.8) ANGLES ±		UNLESS OTHERWISE SPECIFIED, ALL DIMENSIONS ARE GIVEN IN INCHES, THIRD ANGLE PROJECTION.	
DRAWN BY PM	MAT'L: PVC	SCALE NONE	
DATE 09-26-96	D	DRAWING NO. 35541-43	DWG A
CHECKED BY CEF			SIZE