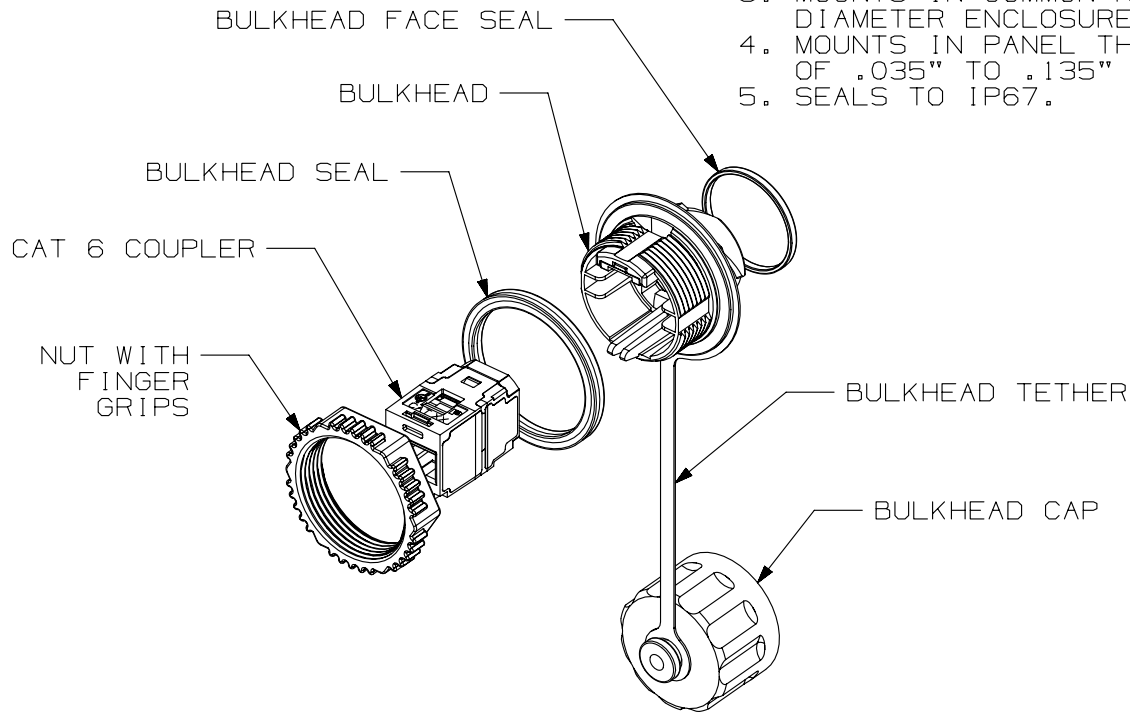
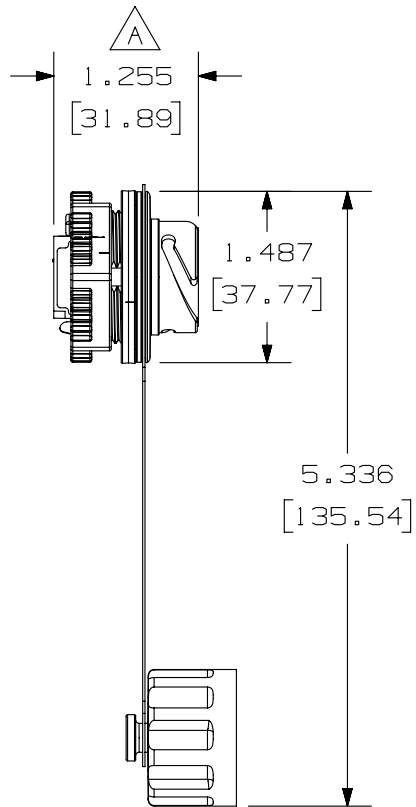


THIS COPY IS PROVIDED ON A RESTRICTED BASIS AND IS NOT TO BE USED IN ANY WAY DETRIMENTAL TO THE INTERESTS OF PANDUIT CORP.



- NOTES:
1. SEE CURRENT CATALOG FOR ADDITIONAL PART NUMBER SUFFIXES TO INDICATE PACKAGE QUANTITY.
 2. DIMENSIONS IN PARENTHESES ARE METRIC.
 3. MOUNTS IN COMMON NEMA 1-13/64" (30.5mm) DIAMETER ENCLOSURE OPENING.
 4. MOUNTS IN PANEL THICKNESS OF .035" TO .135"
 5. SEALS TO IP67.

PART NUMBER		IAEBHC6	
TITLE			
INDUSTRIALNET TX6 PLUG TO PLUG COUPLER WITH BULKHEAD CUSTOMER DRAWING			
ITEM REVISION NAME		M02731CB/01	
DATASET FILE NAME		M02731CB_DC17/01A	
UNLESS OTHERWISE SPECIFIED, DIMENSIONAL TOLERANCES ARE: IN (mm)			
.x ± .xx ± .03 (.8) .xxx ± .01 (.3) ANGLES ±			
DRAWING NUMBER:		02731-17	
DRAWN BY	DATE	CHK	SCALE
NER	7-27-07	CEF	NONE
SHT 1 OF 1		A	

REV	DATE	BY	CHK	APR	DESCRIPTION	ECN
1	5-15-14	TA	REFR	REFR	REVISED TITLE BLOCK	02731-17
R	7-27-07	NER	CEF	CEF	RELEASED TO PRODUCTION	02731-17

D10100DA/14