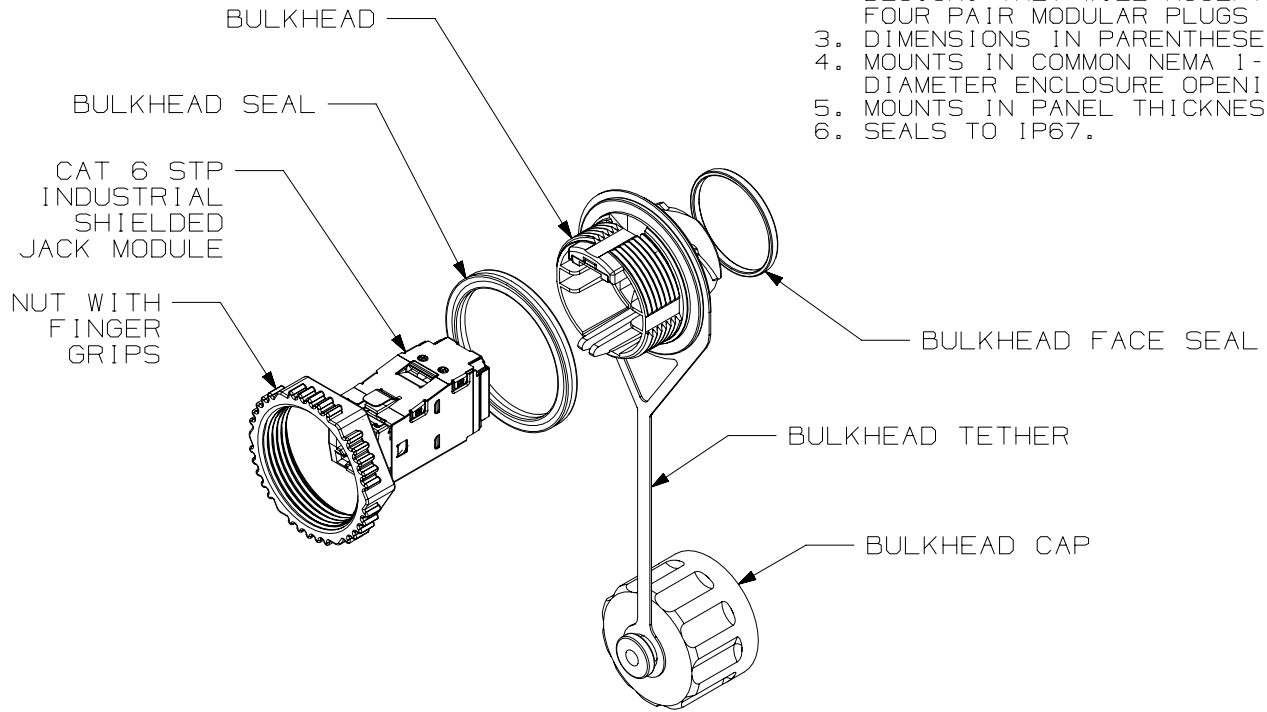
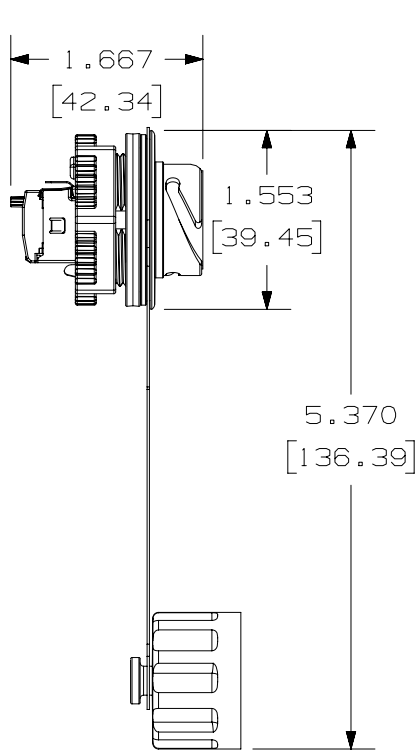


THIS COPY IS PROVIDED ON A RESTRICTED BASIS AND IS NOT TO BE USED IN ANY WAY DETRIMENTAL TO THE INTERESTS OF PANDUIT CORP.

NOTES:

1. SEE CURRENT CATALOG FOR ADDITIONAL P/N SUFFIXES TO INDICATE PACKAGE QUANTITY.
2. ALL MINI-JACK 8 POSITION, 8 WIRE CONNECTOR MODULES ARE UNIVERSAL IN DESIGN. THEY WILL ACCEPT TWO, THREE, OR FOUR PAIR MODULAR PLUGS WITHOUT DAMAGE.
3. DIMENSIONS IN PARENTHESES ARE METRIC.
4. MOUNTS IN COMMON NEMA 1-13/64" (30.5mm) DIAMETER ENCLOSURE OPENING.
5. MOUNTS IN PANEL THICKNESS OF .035-.135"
6. SEALS TO IP67.



PART NUMBER		I AEBH6S	
TITLE		INDUSTRIAL TX6 CONNECTOR SHIELDED JACK MODULE WITH BULKHEAD	
		CUSTOMER DRAWING	
ITEM REVISION NAME		M01245AU/07	
DATASET FILE NAME		M01245AU_DC78/07A	
UNLESS OTHERWISE SPECIFIED, DIMENSIONAL TOLERANCES ARE: IN (mm)		MATERIAL:	
.x ± .xxx ± .010 (.3)			
.xx ± .03 (.8)		DRAWING NUMBER:	
ANGLES ±		01245-78	
THIRD ANGLE PROJECTION			
DRAWN BY	DATE	CHK	SCALE
BJN	5-16-14	CEF	NONE
REV	DATE	BY	CHK
2	5-9-16	BJN	JAV
1	5-16-14	TA	REFR
R	10-30-06	BJN	CEF
DESCRIPTION		ECN	
UPDATED		01245-78	
REVISED TITLE BLOCK		01245-78	
RELEASED TO PRODUCTION		01245-78	
SHT 1 OF 1		A	

D10100DA/14