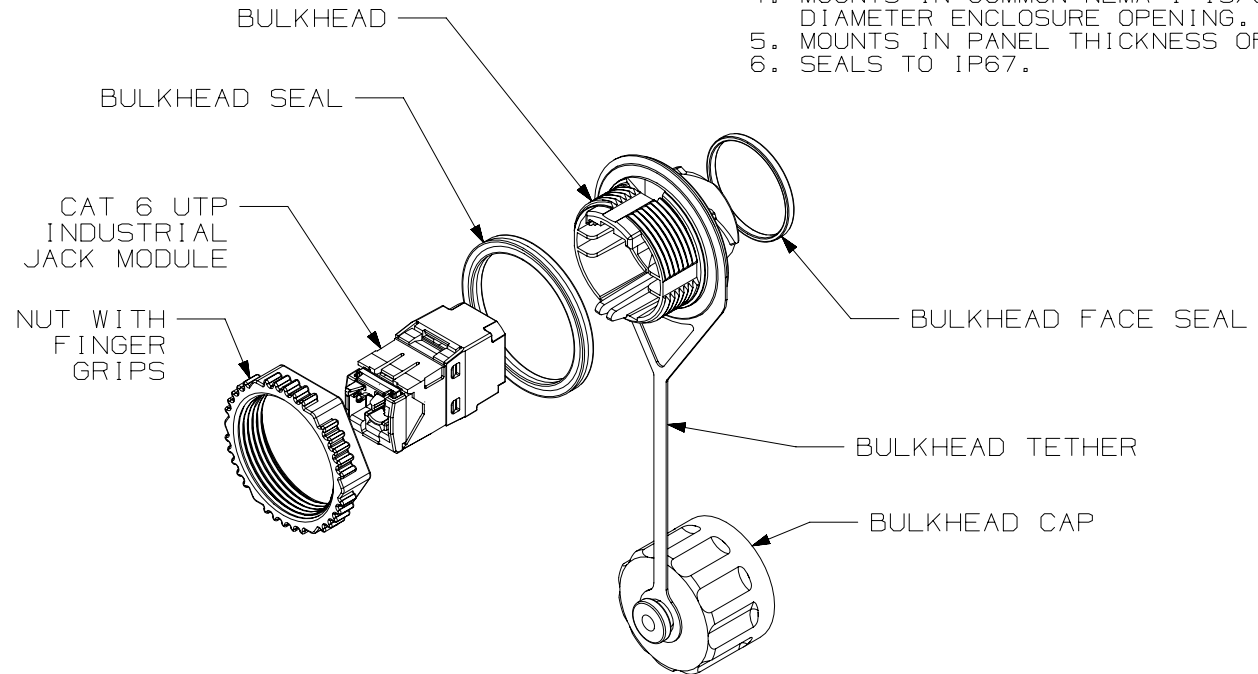
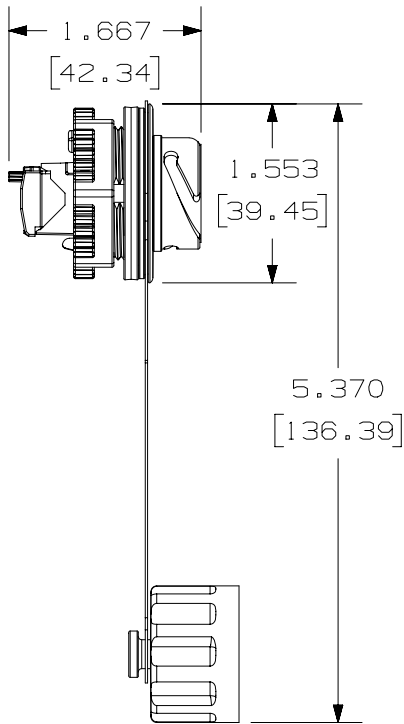


THIS COPY IS PROVIDED ON A RESTRICTED BASIS AND IS NOT TO BE USED IN ANY WAY DETRIMENTAL TO THE INTERESTS OF PANDUIT CORP.



- NOTES:
1. SEE CURRENT CATALOG FOR ADDITIONAL P/N SUFFIXES TO INDICATE PACKAGE QUANTITY.
 2. ALL JACK 8 POSITION, 8 WIRE CONNECTOR MODULES ARE UNIVERSAL IN DESIGN. THEY WILL ACCEPT TWO, THREE, OR FOUR PAIR MODULAR PLUGS WITHOUT DAMAGE.
 3. DIMENSIONS IN PARENTHESES ARE METRIC.
 4. MOUNTS IN COMMON NEMA 1-13/64" (30.5mm) DIAMETER ENCLOSURE OPENING.
 5. MOUNTS IN PANEL THICKNESS OF .035-.135"
 6. SEALS TO IP67.

PART NUMBER		I AEBH6	
TITLE		INDUSTRIAL TX6 CONNECTOR JACK MODULE WITH BULKHEAD	
		CUSTOMER DRAWING	
ITEM REVISION NAME		M01245AU/08	
DATASET FILE NAME		M01245AU_DC77/08A	
UNLESS OTHERWISE SPECIFIED, DIMENSIONAL TOLERANCES ARE: IN (mm)		MATERIAL:	
.x ± .xx ± .03 (.8)		.xxx ± .010 (.3)	
ANGLES ±		DRAWING NUMBER:	
THIRD ANGLE PROJECTION		01245-77	
DRAWN BY	DATE	CHK	SCALE
BJN	10-30-06	CEF	NONE
SHT 1 OF 1		A	

REV	DATE	BY	CHK	APR	DESCRIPTION	ECN
2	6-6-16	BJN	SCAL	JAV	UPDATED	01245-77
1	5-16-14	TA	REFR	REFR	REVISED TITLE BLOCK	01245-77
R	10-30-06	BJN	CEF	CEF	RELEASED TO PRODUCTION	01245-77

D10100DA/14

2

1

2

1