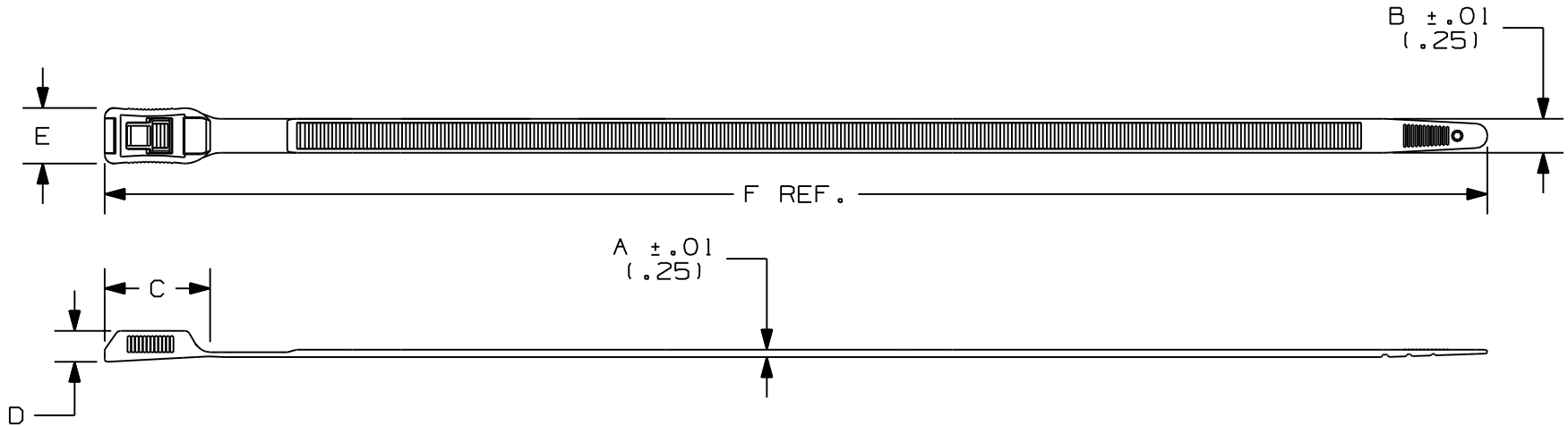


THIS COPY IS PROVIDED ON A RESTRICTED BASIS AND IS NOT TO BE USED IN ANY WAY DETRIMENTAL TO THE INTERESTS OF PANDUIT CORP.



| PANDUIT PART NO. | BUNDLE DIA. | | A in (mm) | B in (mm) | C in (mm) | D in (mm) | E in (mm) | F in (mm) | MIN. LOOP TENSILE* lbs. (N) | CROSS SECTION | WEIGHT 100 pcs lbs (g) |
|------------------|-----------------|-----------------|-----------------|-----------------|-----------------|-----------------|-----------------|-----------------|--------------------------------|---------------|------------------------------|
| | MIN. in (mm) | MAX. in (mm) | | | | | | | | | |
| HV965 | .39 (10) | 2.6 (65) | .076 (1.9) | .350 (8.9) | 1.093 (27.7) | .318 (8.0) | .571 (14.5) | 10.43 (265) | 160 (710) | LIGHT HEAVY | 1.02 (462) |
| HV9100 | .39 (10) | 3.9 (100) | .076 (1.9) | .350 (8.9) | 1.093 (27.7) | .318 (8.0) | .571 (14.5) | 14.43 (367) | 160 (710) | LIGHT HEAVY | 1.36 (617) |
| HV9150 | .39 (10) | 5.9 (150) | .076 (1.9) | .350 (8.9) | 1.093 (27.7) | .318 (8.0) | .571 (14.5) | 20.65 (525) | 160 (710) | LIGHT HEAVY | 1.84 (845) |
| HV9250 | .39 (10) | 9.8 (250) | .076 (1.9) | .350 (8.9) | 1.093 (27.7) | .318 (8.0) | .571 (14.5) | 33.12 (841) | 160 (710) | LIGHT HEAVY | 2.85 (1295) |

* PER SAE AS23190

CONFORMS TO EN50146

- MINIMUM INSTALLATION TEMP: -25°C
- MAXIMUM APPLICATION TEMP: 85°C
- MINIMUM APPLICATION TEMP: -60°C
- MINIMUM LOOP TENSILE STRENGTH: 710N
- FLAME APPLICATION TIME: 10s

CAD FILENAME/LAYERS

DIMENSIONS IN PARENTHESIS ARE IN METRIC

PANDUIT CORP. TINLEY PARK, ILLINOIS

HYPER-V IN-LINE TIE

UNLESS OTHERWISE SPECIFIED,
DIMENSIONAL TOLERANCES ARE:
(.X) ± .1 (XXX) ± .02
(.XX) ± .02 ANGLES ± 5°

UNLESS OTHERWISE SPECIFIED,
ALL DIMENSIONS ARE GIVEN
IN INCHES, THIRD ANGLE PROJECTION.

DRAWN BY
FAB

MAT'L:

SCALE
NONE

DATE
4/07/06

NYLON 6.6

DRAWING NO.
SS-27504

DWG
A
SIZE

| REV | DATE | BY | CHK | DESCRIPTION | ECN | R | CUST | SUP |
|-----|----------|-----|-----|---------------------|-------|---|------|-----|
| 4 | 10/31/06 | ERW | | ADDED EN50146 NOTES | 27504 | 4 | | |