

| PANDUIT TOOL NO. | INSTALLS * THE FOLLOWING CABLE TIE CROSS-SECTION ** | WEIGHT/PC | |
|------------------|---|-----------|-------|
| | | OZ | GRAMS |
| GS4H-E | S,HS,LH,H | 15.34 | 435 |

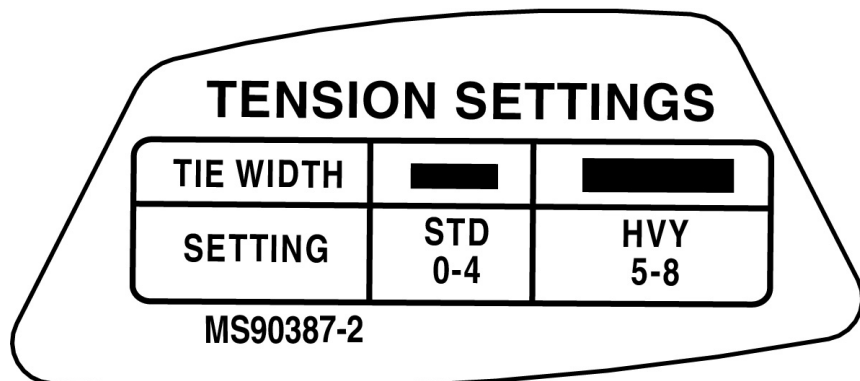
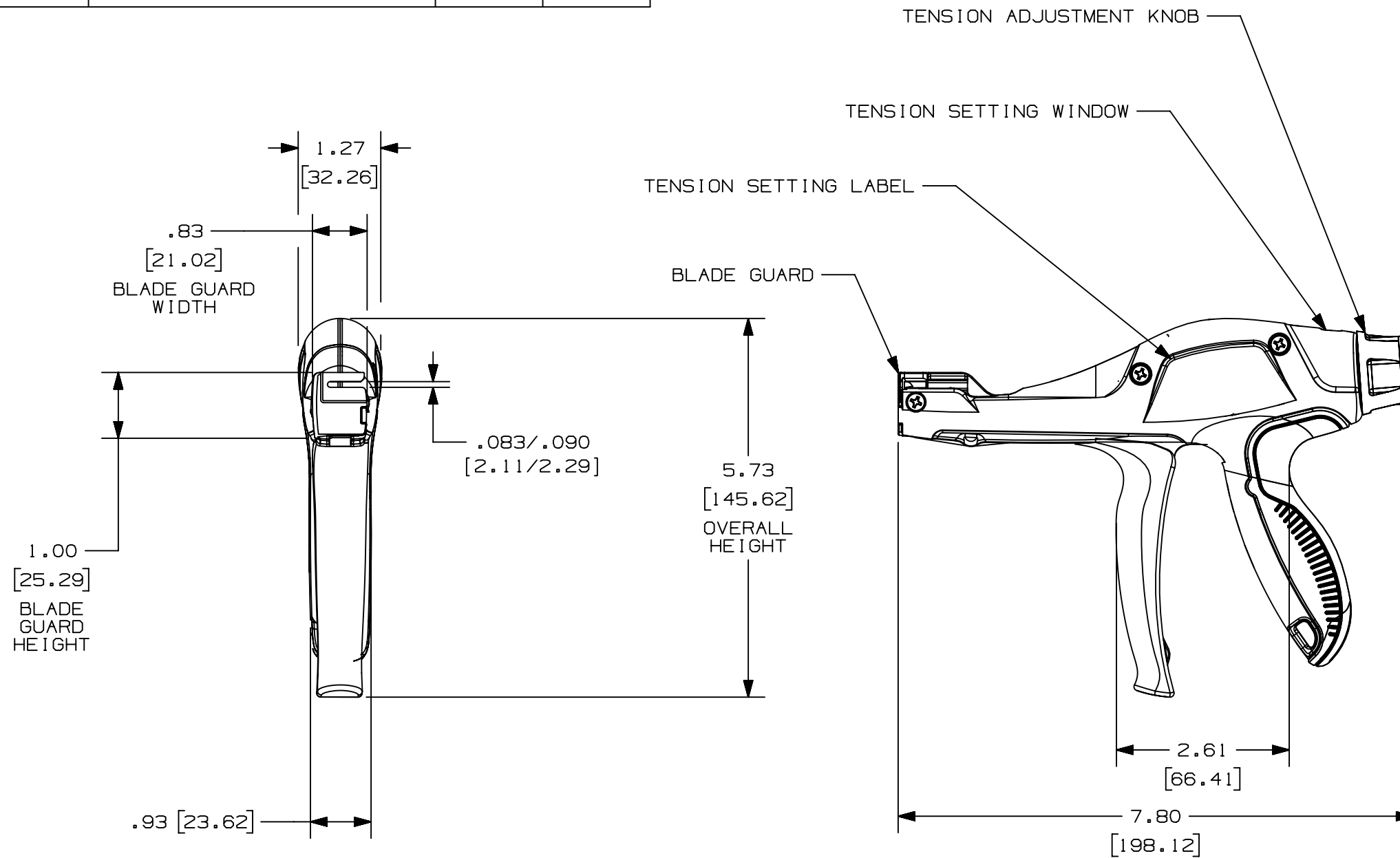
NOTES, UNLESS OTHERWISE SPECIFIED:

RoHS COMPLIANT.

* THIS TOOL TIGHTENS CABLE TIES AND CUTS OFF EXCESS PORTION WHEN PRESET TENSION IS ATTAINED.

** CABLE TIE CROSS-SECTION CODE:
 S = STANDARD
 HS = HEAVY STANDARD (CONTOUR-TY)
 LH = LIGHT HEAVY
 H = HEAVY

DIMENSIONS IN BRACKETS ARE METRIC.



| REV | DATE | BY | CHK | APR | DESCRIPTION | ECN |
|-----|---------|-----|-----|------|---|--------|
| 01 | 8-24-18 | JEH | ABJ | JADE | UPDATED TENSION LABEL WITH MIL SPEC MS90387-2 | 037489 |
| 00 | 1-27-15 | JEH | ABJ | ABJ | RELEASED | 4851 |

| | | | |
|---|---------|----------------------------|-------|
| TITLE | | CD, GS4H-E | |
| ITEM REVISION NAME | | Customer/Military Drawing | |
| DATASET FILE NAME | | R27578AA/01 | |
| DATASET FILE NAME | | R27578AA_DS_WH27578B01/01A | |
| UNLESS OTHERWISE SPECIFIED, DIMENSIONAL TOLERANCES ARE: IN [mm] | | MATERIAL: | |
| .x ± .1 [2.54] | | .xxx ± .005 [.127] | |
| .xx ± .01 [.25] | | ANGLES ± 5° | |
| THIRD ANGLE PROJECTION | | DRAWING NUMBER: | |
| THIRD ANGLE PROJECTION | | WH27578B01 | |
| DRAWN BY | DATE | CHK | SCALE |
| JEH | 1-26-15 | ABJ | 1:2 |
| SHT 1 OF 1 | | | SIZE |
| SHT 1 OF 1 | | | B |