

PANDUIT TOOL NO.	INSTALLS * THE FOLLOWING CABLE TIE CROSS-SECTION **	WEIGHT/PC	
		OZ	GRAMS
GS2B-E	SM,M,I,S	13.55	385

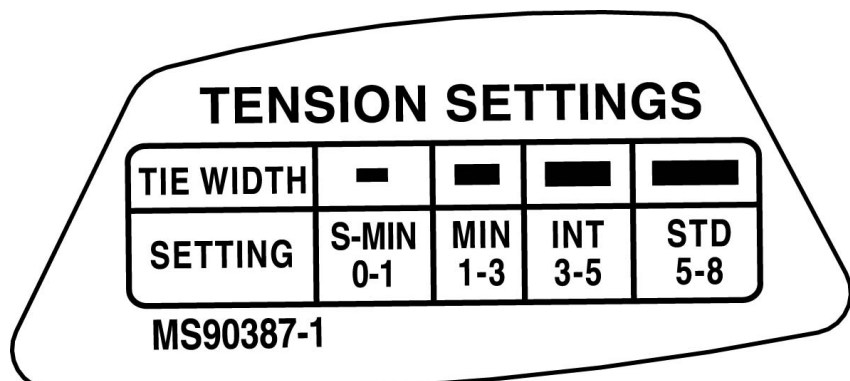
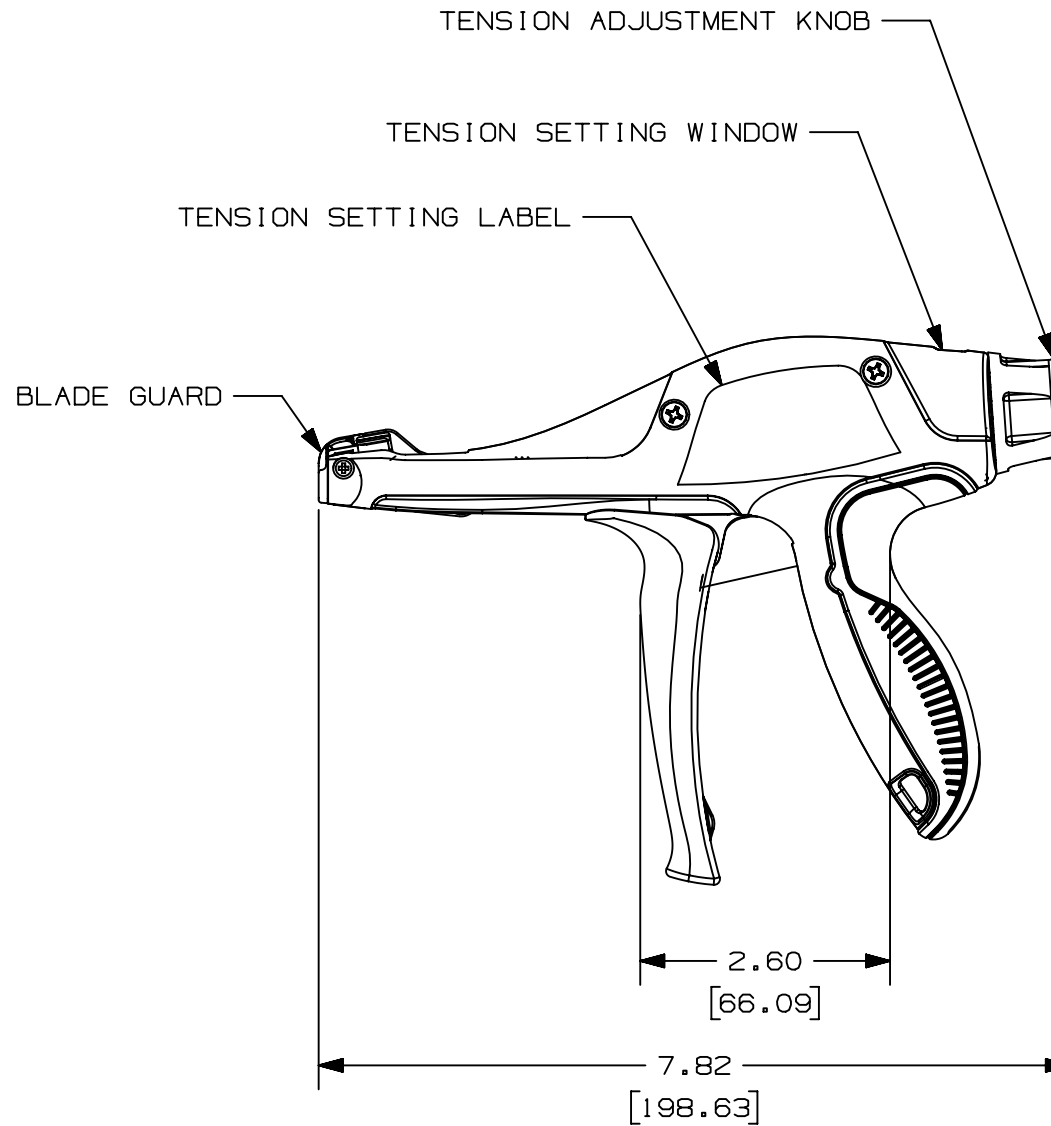
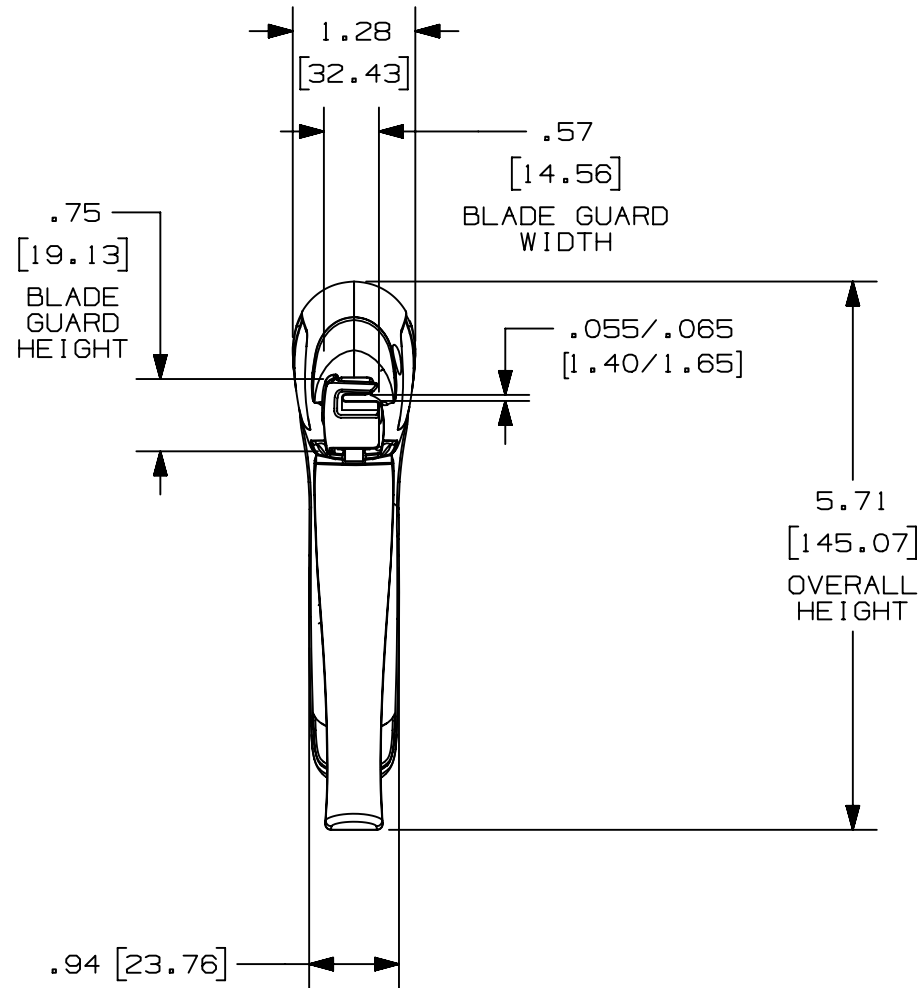
**NOTES, UNLESS OTHERWISE SPECIFIED:**

RoHS COMPLIANT.

\* THIS TOOL TIGHTENS CABLE TIES AND CUTS OFF EXCESS PORTION WHEN PRESET TENSION IS ATTAINED.

\*\* CABLE TIE CROSS-SECTION CODE:  
 SM = SUB-MINIATURE  
 M = MINIATURE  
 I = INTERMEDIATE  
 S = STANDARD.

DIMENSIONS IN BRACKETS ARE METRIC.



REV	DATE	BY	CHK	APR	DESCRIPTION	ECN
02	8-24-18	JEH	ABJ	JADE	UPDATED TENSION LABEL WITH MIL SPEC MS90387-1	037489
01	8-26-15	JEH	ABJ	ABJ	ADDED TENSION SETTING VIEW	4850
00	1-26-15	JEH	ABJ	ABJ	RELEASED	4769

TITLE		CD, GS2B-E	
ITEM REVISION NAME		Customer/Military Drawing	
DATASET FILE NAME		R27576AA_DS_WB27576B01/02A	
UNLESS OTHERWISE SPECIFIED, DIMENSIONAL TOLERANCES ARE: IN [mm]		MATERIAL:	
.x ± .1 [2.54]		.xxx ± .005 [.127]	
.xx ± .01 [.25]		ANGLES ± 5°	
THIRD ANGLE PROJECTION		DRAWING NUMBER:	
WB27576B01		SHT 1 OF 1	
DRAWN BY	DATE	CHK	SCALE
JEH	1-26-15	ABJ	1:2
SIZE			B