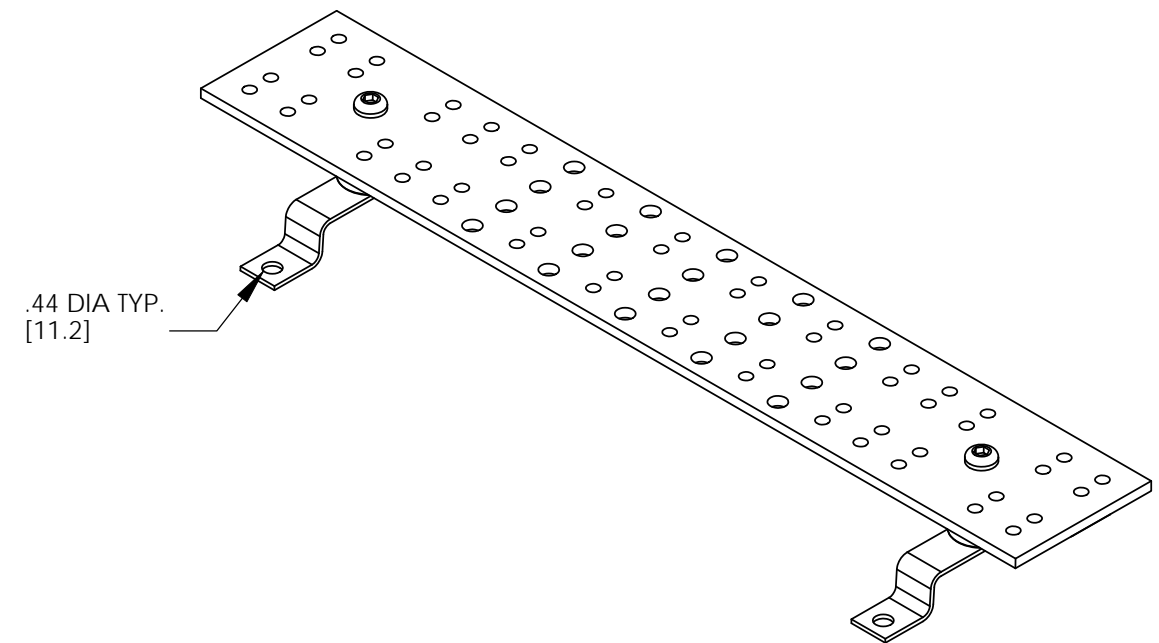
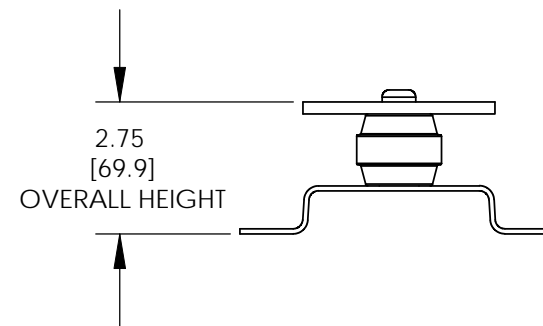
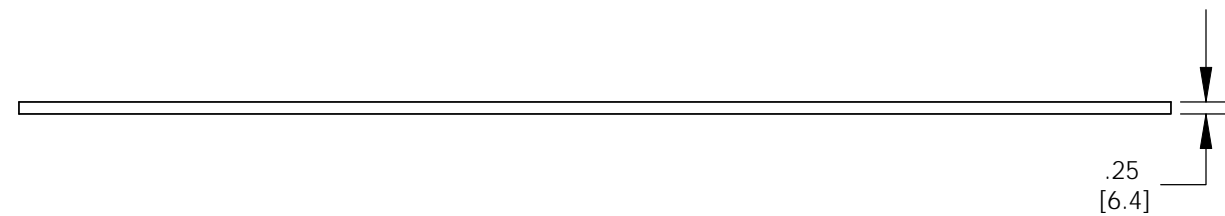
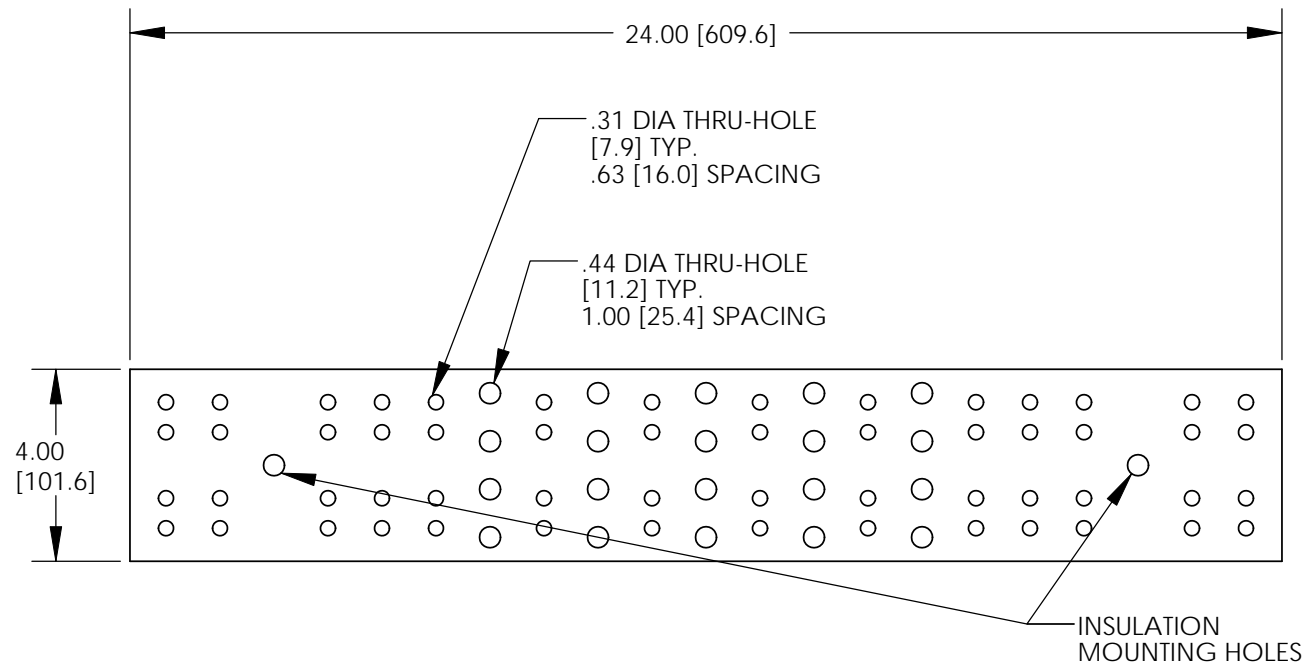


THIS COPY IS PROVIDED ON A RESTRICTED BASIS AND IS NOT TO BE USED IN ANY WAY DETRIMENTAL TO THE INTERESTS OF PANDUIT CORP.

NOTES:

1. KIT COMES FULLY ASSEMBLED
2. KIT INCLUDES BUSBAR, MOUNTING BRACKETS, INSULATORS, AND MOUNTING HARDWARE.
3. MEETS BICSI/J-STD-607-A
4. DIMENSIONS IN PARENTHESIS ARE MILLIMETERS.



ASSEMBLED AS SHOWN

									<b>PANDUIT CORP. TINLEY PARK, ILLINOIS</b> TMGB BCSI GROUNDING BUSBAR (GB4B1028TPI-1) CUSTOMER DRAWING			
									UNLESS OTHERWISE SPECIFIED DIMENSIONAL TOLERANCES ARE: (.X) ±      (.XXX) ± (.XX) ±     ANGLES ±		UNLESS OTHERWISE SPECIFIED, ALL DIMENSIONS ARE GIVEN IN INCHES, THIRD ANGLE PROJECTION	
01	12/10	JHNU	JHNU	REVISED AGENCY LOGO	N41768BA-C41768	FLD	FLD	DRAWN BY	MAT'L:	SCALE	NONE	
00	1/09	JESH	JESH	DRAWING RELEASED				JESH		DATE	1/09	DRAWING NO / CAD FILE
<b>REV</b>	<b>DATE</b>	<b>BY</b>	<b>CHK</b>	<b>DESCRIPTION</b>	<b>ECN</b>	<b>-R</b>	<b>SUP</b>	<b>CHK'D</b>			C41768_01	<b>B</b> SIZE