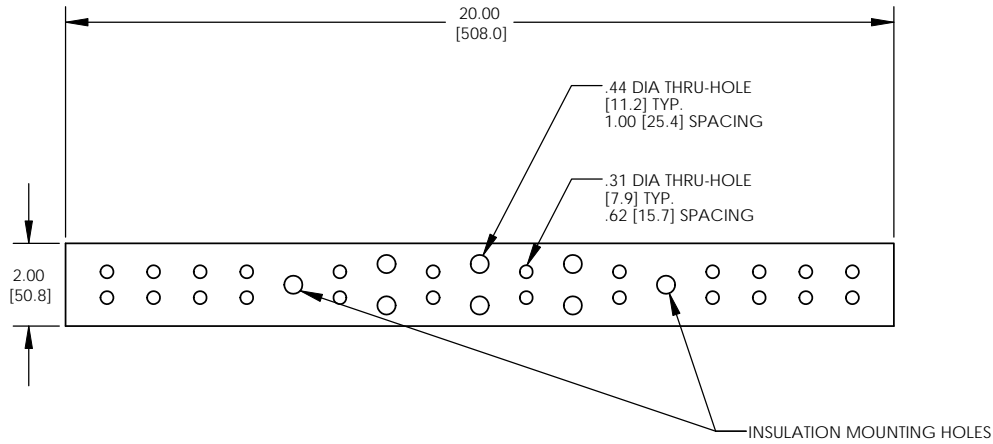
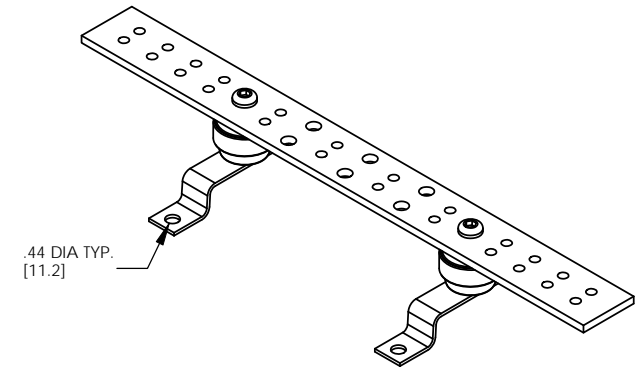
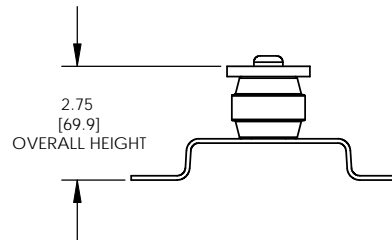


THIS COPY IS PROVIDED ON A RESTRICTED BASIS AND IS NOT TO BE USED IN ANY WAY DETRIMENTAL TO THE INTERESTS OF PANDUIT CORP.



NOTES:

1. KIT COMES FULLY ASSEMBLED
2. KIT INCLUDES BUSBAR, MOUNTING BRACKETS, INSULATORS, AND MOUNTING HARDWARE.
3. MEETS BICSI/J-STD-607-A
4. DIMENSIONS IN PARENTHESIS ARE MILLIMETERS.



ASSEMBLED AS SHOWN

REV	DATE	BY	CHK	DESCRIPTION	ECN	-R	SUP	CHK'D
04	12/10	JHNU	JHNU	REVISED AGENCY LOGO	N41506BA-C41506	FLD	FLD	
03	11/08	JHNU	JHNU	REVISED DRAWING LAYOUT, REMOVED BRACKET VIEWS				
---	-----	----	----	CONVERTED DRAWING TO SOLIDWORKS REVISED BUSBAR BRACKET GEOMETRY REVISED DRAWING TO CURRENT STANDARD				
02	11/08	JHNU	DWDA	REVISED HEIGHT DIMENSION: 1.00 WAS 1.50 ADDED NOTE 3 ADDED OVERALL HEIGHT DIMENSION TO ISO VIEW				
01	9/06	JHNU	LEM					
00	2/05	JHNU	LEM	DRAWING RELEASED				

		PANDUIT CORP. TINLEY PARK, ILLINOIS GROUNDING BUSBAR (GB2B0312TPI) CUSTOMER DRAWING	
		UNLESS OTHERWISE SPECIFIED DIMENSIONAL TOLERANCES ARE: (.X) ± (.XXX) ± (.XX) ± ANGLES ±	UNLESS OTHERWISE SPECIFIED, ALL DIMENSIONS ARE GIVEN IN INCHES, THIRD ANGLE PROJECTION
DRAWN BY JHNU	DATE 2/05	MAT'L:	SCALE NONE
REV 00	DATE 2/05	SUP -R	DRAWING NO / CAD FILE C41506_04
DWG B	SIZE B		