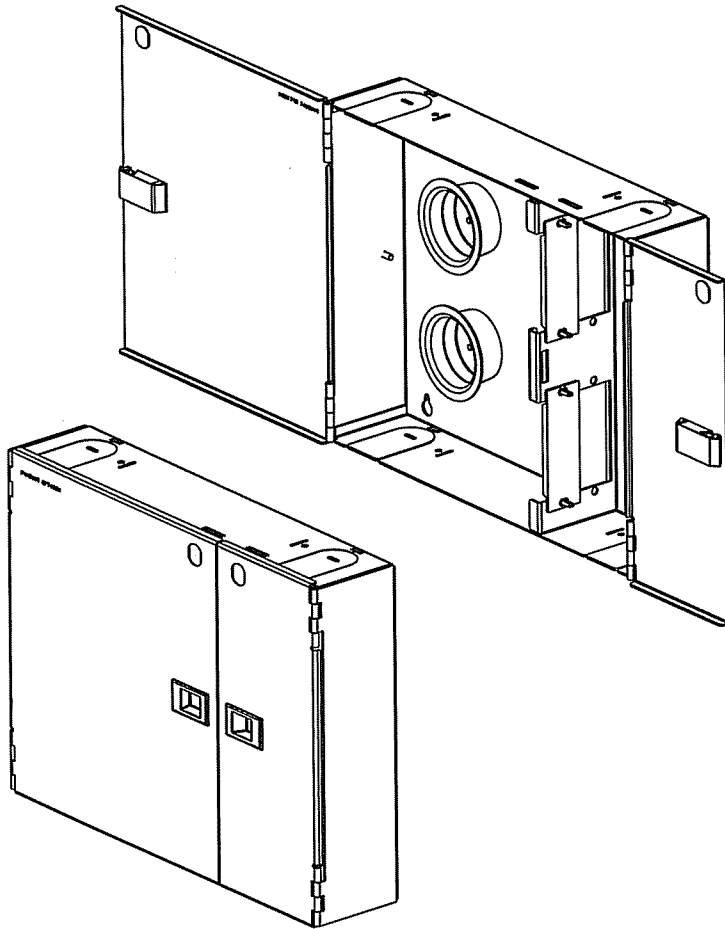


THIS COPY IS PROVIDED ON A RESTRICTED BASIS AND IS NOT TO BE USED IN ANY WAY DETRIMENTAL TO THE INTERESTS OF PANDUIT CORP.



NOTES:

1. SEE CATALOG FOR COMPLETE LIST OF PARTS APPLICABLE FOR USE WITH THIS PART.
2. DIMENSIONS IN PARENTHESES ARE IN METRIC.
3. ENCLOSURE IS FOR WALL MOUNT APPLICATIONS.
4. COMPLETE ENCLOSURE IS MADE FROM 16 GAUGE GALVANNEALED STEEL.
5. ENCLOSURE IS PAINTED BLACK
6. ENCLOSURE IS SUPPLIED WITH:
 - 1- WALL MOUNT KIT
 - 2- PORT I.D. LABELS

| PANDUIT P/N | WEIGHT |
|-------------|------------------------|
| FWME4 | 11.0LB/EA 4989 G/EA |

| | |
|--|-----------------------|
| MODEL FILENAME | V10051AB/02-FWME4.PRT |
| CAD FILENAME/LAYERS | V10051AB_DC/02A.PRT |
| PANDUIT CORP. TINLEY PARK, ILLINOIS | |

FIBER WALL MOUNT ENCLOSURE, 4 FAP
(FWME4) CUSTOMER DRAWING

UNLESS OTHERWISE SPECIFIED,
DIMENSIONAL TOLERANCES ARE:
(.X) ± (.XXX) ±
(.XX) ±.03 (.8) ANGLES ±

UNLESS OTHERWISE SPECIFIED,
ALL DIMENSIONS ARE GIVEN
IN INCHES, THIRD ANGLE PROJECTION.

| REV | DATE | BY | CHK | DESCRIPTION | ECN | R | CUST | SUP | OTH |
|-----|----------|------|-----|------------------------|----------|---|------|-----|-----|
| 01 | 11-13-09 | DAJP | WJM | UPDATED PATCH PANEL | 10051-31 | | | | |
| R | 1-28-02 | JDWE | | RELEASED TO PRODUCTION | 10051-31 | | | | |

DRAWN BY
JDWE

DATE
1-28-02

CHK'D
WJM

MAT'L:

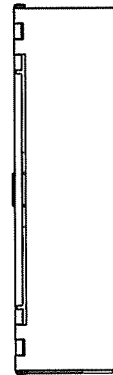
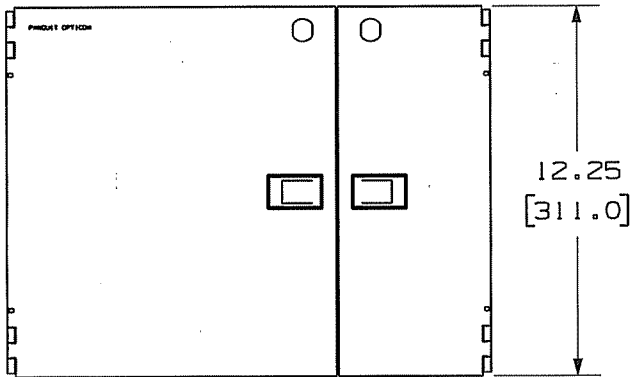
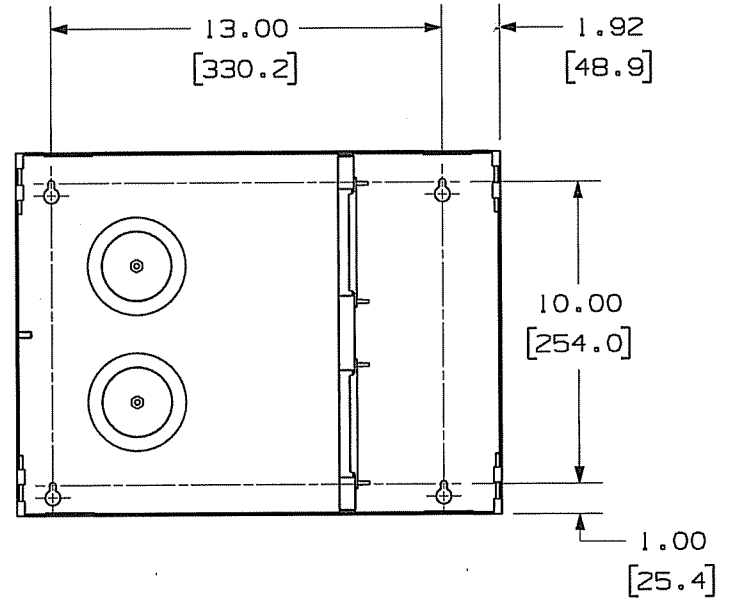
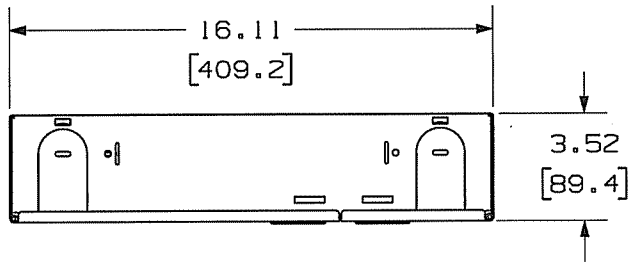
SEE NOTES

SCALE 1:6

DRAWING NO.
10051-31
SHEET 1 OF 2

DWG
A
SIZE

THIS COPY IS PROVIDED ON A RESTRICTED BASIS AND IS NOT TO BE USED IN ANY WAY DETRIMENTAL TO THE INTERESTS OF PANDUIT CORP.



MOUNTING HOLE DIMENSIONS
VIEW SHOWN WITH COVER REMOVED

| | | | |
|---|--|---|--|
| MODEL FILENAME | | VI0051AB/02-FWME4.PRT | |
| CAD FILENAME/LAYERS | | VI0051AB_DC/02A.PRT | |
| <h1>PANDUIT</h1> CORP. TINLEY PARK, ILLINOIS | | | |
| FIBER WALL MOUNT ENCLOSURE, 4 FAP (FWME4) CUSTOMER DRAWING | | | |
| UNLESS OTHERWISE SPECIFIED, DIMENSIONAL TOLERANCES ARE: | | UNLESS OTHERWISE SPECIFIED, ALL DIMENSIONS ARE GIVEN IN INCHES, THIRD ANGLE PROJECTION. | |
| (.) ± .03 | | (.XXX) ± .005 | |
| (.XX) ± .005 | | (.X) ± .005 | |
| ANGLES ± .5 | | SCALE 1:6 | |
| DRAWN BY JDWE | | MAT'L: | |
| DATE 1-28-02 | | SEE NOTES | |
| CHK'D <i>WJM</i> | | | |
| SEE SHEET 1 OF 2 FOR REVISIONS | | DRAWING NO. 10051-31 | |
| REV DATE BY CHK DESCRIPTION ECN - R CUST SUP OTH | | SHEET 2 OF 2 | |
| | | DRG A SIZE | |

| REV | DATE | BY | CHK | DESCRIPTION | ECN | R | CUST | SUP | OTH |
|-----|------|----|-----|--------------------------------|-----|---|------|-----|-----|
| | | | | SEE SHEET 1 OF 2 FOR REVISIONS | | | | | |