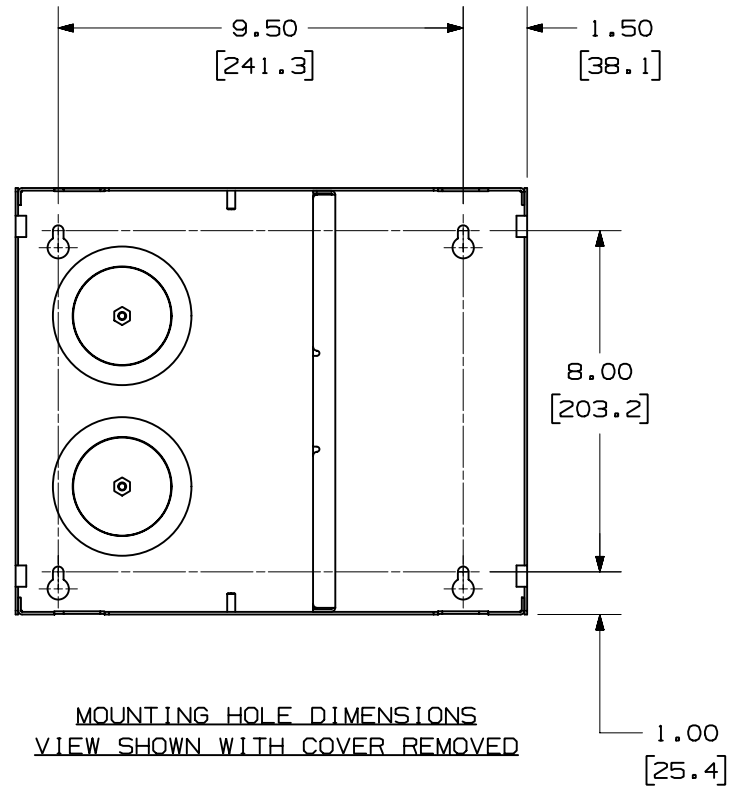
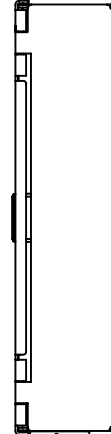
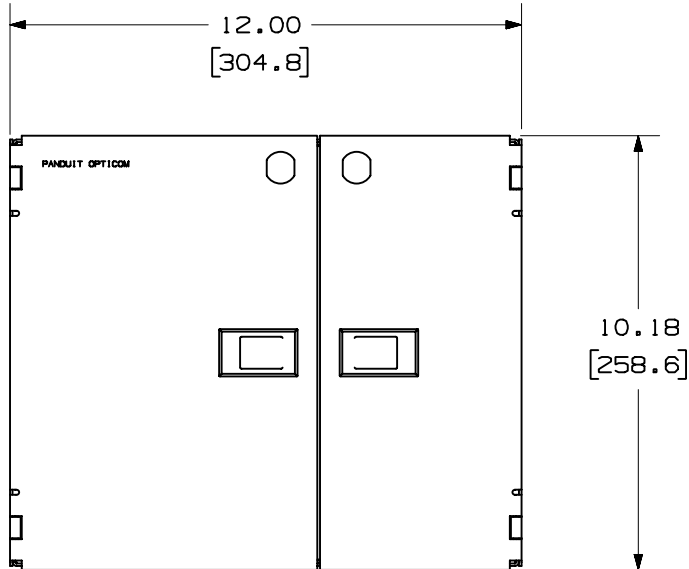
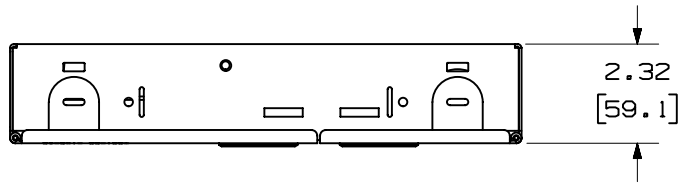


THIS COPY IS PROVIDED ON A RESTRICTED BASIS AND IS NOT TO BE USED IN ANY WAY DETRIMENTAL TO THE INTERESTS OF PANDUIT CORP.



MODEL FILENAME V10051AA_FWME2_01.PRT

CAD FILENAME/LAYERS V10051AA_DC_01A.PRT

PANDUIT CORP. TINLEY PARK, ILLINOIS

FIBER WALL MOUNT ENCLOSURE, 2 FAP (FWME2) CUSTOMER DRAWING

UNLESS OTHERWISE SPECIFIED, DIMENSIONAL TOLERANCES ARE:
 (.X) ± (.XXX) ±
 (.XX) ±.03 (.8) ANGLES ±

UNLESS OTHERWISE SPECIFIED, ALL DIMENSIONS ARE GIVEN IN INCHES, THIRD ANGLE PROJECTION.

DRAWN BY JDWE

MAT'L:

SCALE 1 : 4

R	1-28-02	JDWE	SEE SHEET 1 OF 2 FOR REVISIONS	10051-30					
---	---------	------	--------------------------------	----------	--	--	--	--	--

DATE 1-28-02

SEE NOTES

DRAWING NO. 10051-30
SHEET 2 OF 2

DWG A SIZE

REV	DATE	BY	CHK	DESCRIPTION	ECN - R	CUST	SUP	OTH
-----	------	----	-----	-------------	---------	------	-----	-----

CHK'D